

FEATURES

- Solenoid valve manufactured identically to the RCC-E 2005 compliant version
- Solenoid valve subject to standard packing, labelling, traceability and formality requirements
- Solenoid valve with IP65-rated metal cover for use in harsh industrial environments
- Rugged construction for high pressures
- The solenoid valves satisfy all relevant EC directives

GENERAL

Differential pressure 0 to 10 bar [1 bar = 100 kPa]
Storage temperature -20°C min.

| fluids (*) | temperature range (TS) | seal materials (*) |
|---------------|------------------------|--------------------|
| air, filtered | -10°C to +80°C | VAMAC |

MATERIALS IN CONTACT WITH FLUID

(*) Ensure that the compatibility of the fluids in contact with the materials is verified

| | |
|-------------------------|-----------------|
| Body | Brass |
| Core tube | Stainless steel |
| Core and plugnut | Stainless steel |
| Internal parts | Stainless steel |
| Springs | Stainless steel |
| Seat | Brass |
| Seals | VAMAC |

OTHER MATERIALS

Solenoid enclosure Metal cover, black standard paint, IP65

ELECTRICAL CHARACTERISTICS

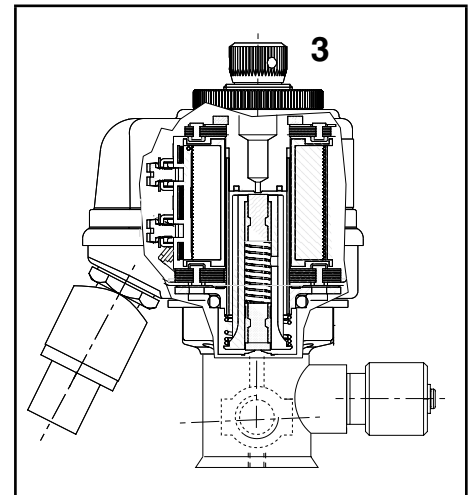
Electrical safety IEC 335
Coil connection Screw terminals
Coil insulation class H
Cable entry Connector, SAIB NU 25
Standard voltages AC (~) : 230V / 50 Hz

| operator type | power ratings | | | operator ambient temperature range (TS) (C°) | type ⁽¹⁾ |
|---------------|---------------|---------|-------|--|---------------------|
| | inrush | holding | | | |
| | ~ (VA) | ~ (VA) | ~ (W) | | |
| MB | 32 | 20 | 11 | -10 to +50 | 01 |

⁽¹⁾ Refer to the dimensional drawings on the following page.

SPECIFICATIONS

| pipe size | orifice size | flow coefficient Kv | | operating pressure differential (bar) | | catalogue number | reference |
|-----------------------------|--------------|---------------------|---------|---------------------------------------|-----------|------------------|-----------------|
| | | | | min. | max. (PS) | | |
| | | | | | air (*) | | |
| Rp | (mm) | (m ³ /h) | (l/min) | ~ | ~ | ~ | ~ |
| NC - Normally closed | | | | | | | |
| 1/4 | 3 | 0,21 | 3,5 | 0 | 10 | 12102109 | MB301 O3 K3 EPR |



INSTALLATION

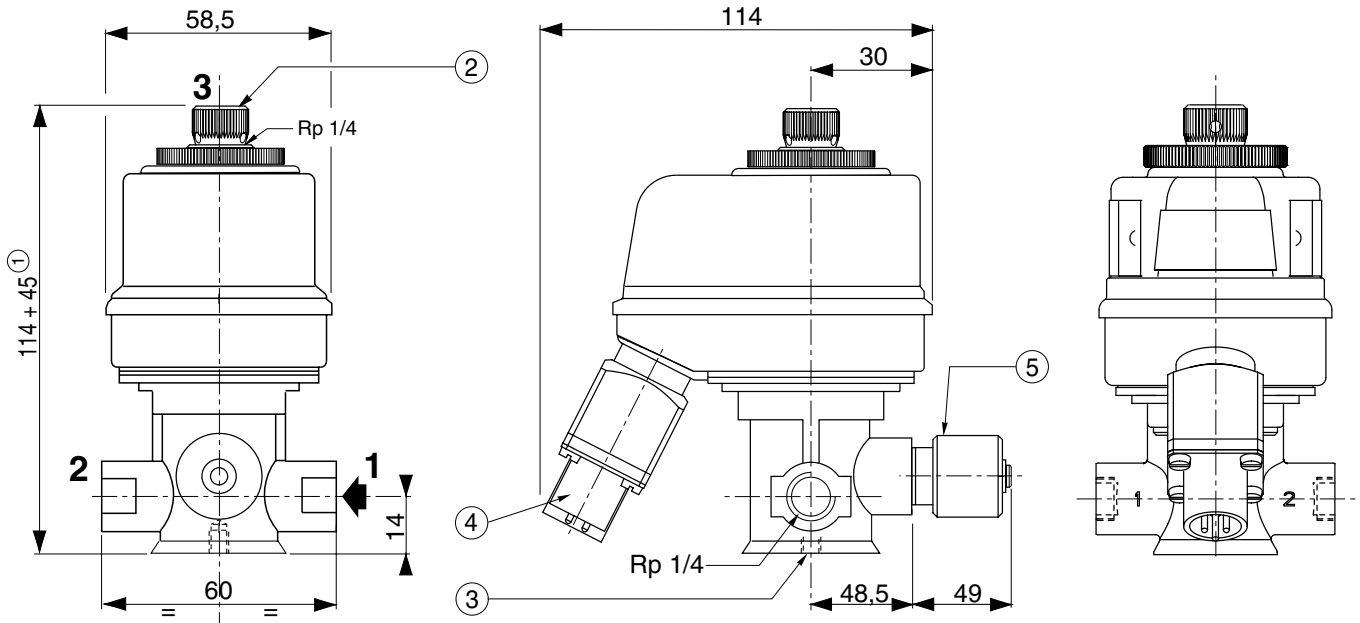
- The solenoid valve may be mounted in any position, but always with the cable outlet oriented downward. Applicable for all categories (K1, K2, K3 and NQ)
- Do not power on unless the metal cover is properly in place
- Mounting on single subbase
- Pipe connections (Rp) have standard thread according to ISO 7/1
- Replacement coils available

DIMENSIONS (mm), WEIGHT (kg)



TYPE 01

Operator type "MB"
Metal cover
IP65



| type | weight ⁽²⁾ |
|------|-----------------------|
| 01 | 1,0 |

⁽²⁾ including coil.

- ① Dimension to be added to allow for removal
- ② 3/2 NC: exhaust protector
- ③ Mounting hole M5, depth 7 mm
- ④ Cable entry, SAIB NU 25
- ⑤ Manual operator location