



## FEATURES

- Solenoid valve fitted with IP65 protection metal cover for harsh industrial environments
- Rugged construction for high pressures
- Manual operator as standard
- The solenoid valves satisfy all relevant EC directives

## GENERAL

Differential pressure	0 to 25 bar [1 bar = 100 kPa]
Ambient temperature range	-10°C to +40°C
Maximum viscosity	40 cSt (mm <sup>2</sup> /s)
Response time	10 - 20 ms

fluids (*)	temperature range (TS)	seals (*)
water, air, inert gas, oil	-10°C to +80°C	NBR (nitrile)

## MATERIALS IN CONTACT WITH FLUID

(\*) Ensure that the compatibility of the fluids in contact with the materials is verified

Body	Brass
Internal parts	Stainless steel
Springs	Stainless steel
Seats	Brass
Seals	NBR
Shading coil	Copper

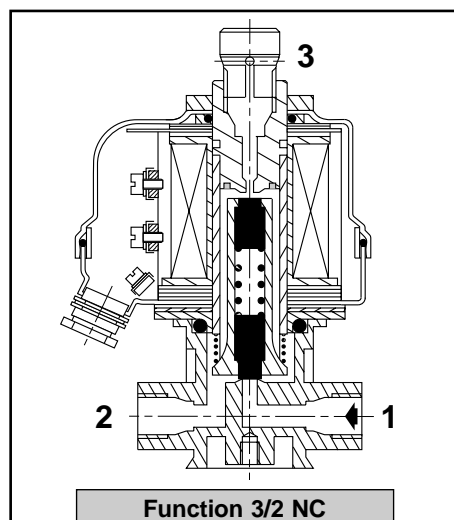
## OTHER MATERIALS

Solenoid head IP 65 protection metal cover (1)

## ELECTRICAL CHARACTERISTICS

Coil insulation class	E
Coil fitting	Screw terminals
Cable entry	Cable gland (Pg 11M)
Electrical safety	IEC 335
Standard voltages	DC (=): 24V - 48V
(Other voltages and 60 Hz on request)	AC (~): 24V - 48V - 115V - 230V / 50 Hz

coil type	nominal power ratings				ambient temperature range (TS) (°C)	coil construction
	inrush ~ (VA)	holding		= (W)		
		(VA)	(W)			
screws-12W/8W	75	22	12	8	-10 to +40	wrapped



## SPECIFICATIONS

pipe size	orifice size	flow coefficient Kv		operating pressure differential (bar)				coil type	(M)	catalogue number (~ / =)		reference	
				min.	maximum (PS)		NBR seals						
					air (*)	water/oil (*)				~	=		
(G*)	(mm)	(m <sup>3</sup> /h)	(l/min)		~	=	~	=	~ / =	~	=		
<b>NC - Normally closed</b>													
1/4	1,5	0,078	1,3	0	25	25	25	25	screws	×	12100384	12100382	MB301/O-1,5
									■	12100383	12100381		
	3	0,21	3,5	0	10	10	10	10	screws	×	12100309	12100310	MB301/O-3
									■	12100373	12100372		
	5	0,36	6	0	3,5	3,5	3,5	3,5	screws	×	12100313	12100314	MB301/O-5
									■	12100147	12100152		
<b>NO - Normally open</b>													
1/4	1,5	0,078	1,3	0	25	25	20	20	screws	×	12100365	12100364	MB301/F-1,5
									■	12100414	12101074		
	3	0,21	3,5	0	10	8	8	6	screws	×	12100317	12100318	MB301/F-3
									■	12100354	12100353		
	5	0,36	6	0	4	3	3	2	screws	×	12100321	12100322	MB301/F-5
									■	12100177	12100182		
<b>U - Universal</b>													
1/4	1,5	0,078	1,3	0	15	15	15	15	screws	×	12100349	12100348	MB301/U-1,5
									■	12100350	12100732		
	3	0,21	3,5	0	3,5	3	3,5	3	screws	×	12100325	12100326	MB301/U-3
									■	12100343	12100338		
	5	0,36	6	0	1,5	0,5	1,5	0,5	screws	×	12100329	12100330	MB301/U-5
									■	12100214	12101012		

(M) Manual operator: X: without ■: button  
(1) Earth terminal inside the casing.

**OPTIONS**

- Pad mounting for 3/2 U and 3/2 NC version
- Flameproof enclosure EEx d for potentially explosive atmospheres according to "ATEX/CENELEC"
- Coil insulation class B, H
- FPM seals (fluoroelastomer)
- Chromium, marine paint/anti-corrosive environment
- Oxygen service, catalogue number **970500**
- Impulse manual operator

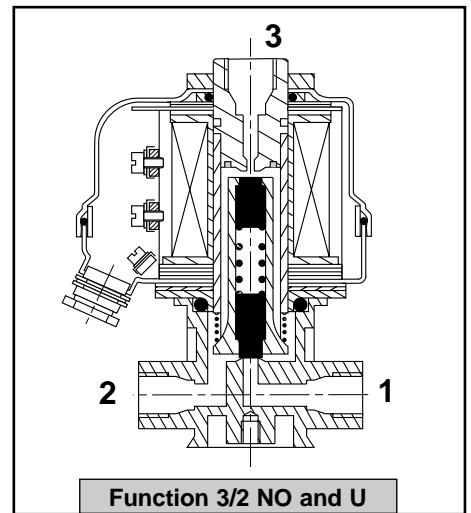
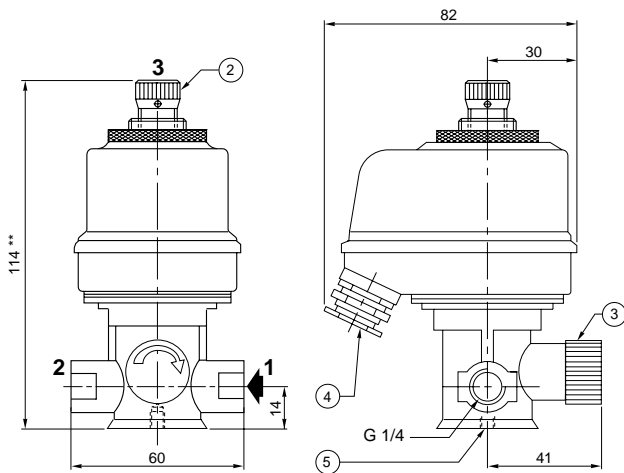
**INSTALLATION**

- The solenoid valves can be mounted in any position, **except solenoid head downward**
- Energizing must always take place with the metal cover on
- 1 mounting holes is provided in solenoid valve body
- Pipe connections (G) have standard combination thread according to ISO 228/1 and ISO 7/1
- Spare parts kits and replacement coils are available

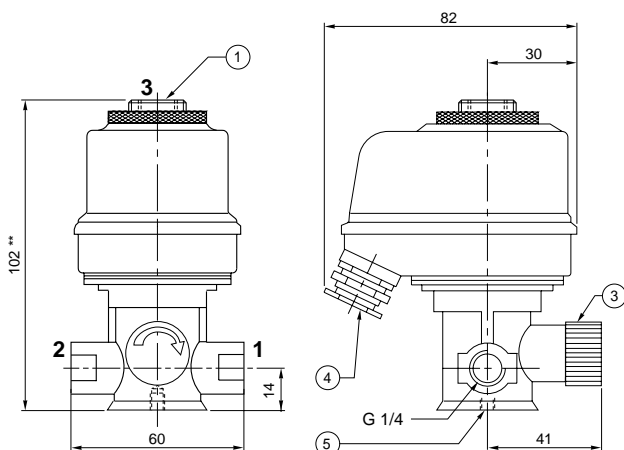
**DIMENSIONS (mm), WEIGHT (kg)**



**NC version**



**NO and U version**



- ① Fitting: G 1/4 on U and NO versions
  - ② Exhaust cover on NF version
  - ③ Button-type manual operator
  - ④ Cable entry: Pg 11M
  - ⑤ Mounting: one M5 hole, depth 7
- \*\* + 45 mm for plug removal

function	weight (1)
NC	0,810
NO	0,800
U	0,800

(1) Incl. coil