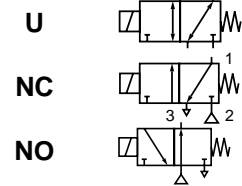




SOLENOID VALVES

direct operated
heavy duty, lever and disc
1/8 to 1/2



3/2
Series
300

FEATURES

- Especially suited for heavy duty industrial 3-way applications
- Valves do not require a minimum operating pressure
- The solenoid valves satisfy all relevant EC directives

GENERAL

Differential pressure 0 - 38 bar [1 bar = 100 kPa]
Maximum viscosity 65 cSt (mm²/s)
Response times 20 - 40 ms

| fluids (*) | temperature range (TS) | seal materials and discs (*) |
|----------------------------|------------------------------|---|
| air, inert gas, water, oil | -20 to +90°C -20 to +90°C | stainless steel - stainless steel NBR - PA |

MATERIALS IN CONTACT WITH FLUID

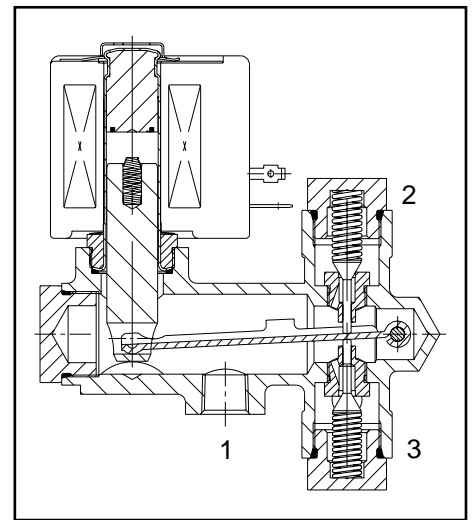
(*) Ensure that the compatibility of the fluids in contact with the materials is verified

| | |
|---------------------------|------------------------|
| Body | Brass |
| Core tube, springs, lever | Stainless steel |
| Core and plugnut | Stainless steel |
| Seats | NBR or Stainless steel |
| Seals | PA or Stainless steel |
| Discs | NBR |
| Shading coil | Copper |

ELECTRICAL CHARACTERISTICS

Coil insulation class F or H
Connector Spade plug (cable Ø 6-10 mm)
Connector specification ISO 4400 / EN 175301-803, form A
Electrical safety IEC 335
Standard voltages DC (=): 24V
AC (~): 24V - 115V - 230V / 50 Hz
(Other voltages and 60 Hz on request)

| coil type | power ratings | | | | ambient temperature ranges (TS) (°C) | protection |
|-----------|---------------------|--------------------------|-----|----------------------|---|--------------|
| | inrush ~ (VA) | holding ~ (VA) (W) | | hot/cold = (W) | | |
| | | (VA) | (W) | | | |
| CM12-FB | 240 | 43 | 20 | - | -20 to +50 | moulded IP65 |
| CM12-HP | 250 | 57 | 28 | 25 / 36,2 | -20 to +25 | moulded IP65 |



SPECIFICATIONS

| pipe size | orifice size | flow coefficient Kv | | operating pressure differential (bar) | | | | | | | | coil type | | catalogue number | OPTIONAL | | | | | | |
|--|--------------|---------------------|---------|---------------------------------------|--------------|-------------|--------------------|----|-----|-----|---------|-----------|-------------|------------------|----------|--------|-----|------|----|------|---|
| | | | | min. | maximum (PS) | | | | | | | | | | function | suffix | FPM | EPDM | CR | PTFE | |
| | | | | | function NC | function NO | function Universal | ~ | = | ~ | = | | | | | | | | | | ~ |
| NPT | (mm) | (m ³ /h) | (l/min) | ~ | = | ~ | = | ~ | = | ~ | = | ~ | = | ~ | = | ~ | = | ~ | = | | |
| Brass body, stainless steel seats and discs | | | | | | | | | | | | | | | | | | | | | |
| 1/8 | 3,2 | 0,11 | 1,8 | 0 | 38 | 17 | 38 | 17 | 21 | 9 | CM12-FB | CM12-HP | SCB300D055 | | | | | | | | |
| | 4,8 | 0,30 | 4,9 | 0 | 17 | 9 | 17 | 9 | 10 | 4 | CM12-FB | CM12-HP | SCB300D003 | | | | | | | | |
| 1/4 | 4,8 | 0,30 | 4,9 | 0 | 17 | 9 | 17 | 9 | 10 | 4 | CM12-FB | CM12-HP | SCB300D058 | | | | | | | | |
| | 6,4 | 0,39 | 6,5 | 0 | 13 | 5 | 13 | 5 | 6 | 2 | CM12-FB | CM12-HP | SCB300A081 | | | | | | | | |
| 3/8 | 6,4 | 0,39 | 6,5 | 0 | 17 | - | 17 | - | 8 | - | CM12-HP | - | SCB300D061 | | | | | | | | |
| | 6,4 | 0,39 | 6,5 | 0 | 13 | 5 | 13 | 5 | 6 | 2 | CM12-FB | CM12-HP | SCB300A082 | | | | | | | | |
| | 8,0 | 0,64 | 10,6 | 0 | 8 | 3 | 8 | 3 | 4,0 | 1,5 | CM12-FB | CM12-HP | SCB300D064 | | | | | | | | |
| | 9,0 | 0,86 | 14,3 | 0 | 5 | 2 | 5 | 2 | 2,5 | 1,0 | CM12-FB | CM12-HP | SCB300D072 | | | | | | | | |
| 1/2 | 8,0 | 0,64 | 10,6 | 0 | 8 | 3 | 8 | 3 | 4,0 | 1,5 | CM12-FB | CM12-HP | SCB300D068 | | | | | | | | |
| | 9,0 | 0,86 | 14,3 | 0 | 5 | 2 | 5 | 2 | 2,5 | 1,0 | CM12-FB | CM12-HP | SCB300D076 | | | | | | | | |
| Brass body, NBR seats and PA discs | | | | | | | | | | | | | | | | | | | | | |
| 1/4 | 4,8 | 0,21 | 3,5 | 0 | 17 | 9 | 17 | 9 | 10 | 4 | CM12-FB | CM12-HP | SCB300D058R | V | | | | | | | |
| | 6,4 | 0,33 | 5,5 | 0 | 10 | 5 | 10 | 5 | 5 | 2 | CM12-FB | CM12-HP | SCB300A081R | V | | | | | | | |
| 3/8 | 6,4 | 0,33 | 5,5 | 0 | 10 | 5 | 10 | 5 | 5 | 2 | CM12-FB | CM12-HP | SCB300A082R | V | | | | | | | |
| | 8,0 | 0,45 | 7,5 | 0 | 8 | 3 | 8 | 3 | 4 | 1,5 | CM12-FB | CM12-HP | SCB300D064R | V | | | | | | | |
| 1/2 | 8,0 | 0,45 | 7,5 | 0 | 8 | 3 | 8 | 3 | 4 | 1,5 | CM12-FB | CM12-HP | SCB300D068R | V | | | | | | | |

(1) Use the suffix to indicate the function, example: SCB300D058RU (universal)

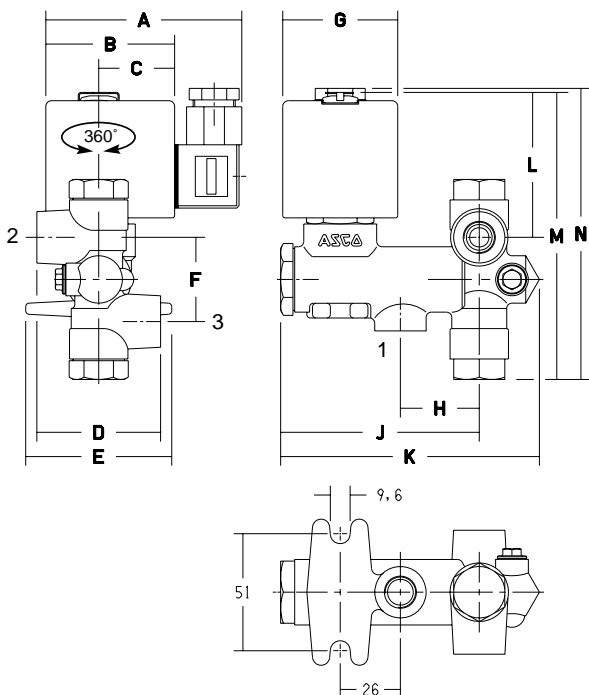
OPTIONS

- Valves can also be supplied with FPM (fluorelastomer) seals. Use the appropriate optional suffix letter for identification
- Waterproof enclosure with embedded screw terminal coils and Pg 13,5 cable gland to meet CEE-10 (IP67)
- Explosionproof enclosures for hazardous locations according to "ATEX/CENELEC" and national standards
- Explosionproof and watertight enclosures according to "NEMA" standards
- Compliance with "UL" and "CSA" standards
- Manual operator
- Plug with visual indication and peak voltage suppression or with cable length of 2m

INSTALLATION

- The valve must be mounted vertical with solenoid upright
- Integral mounting facility
- Pipe connection identifier is: B = NPT (ANSI 1.20.3)
- The third digit in the catalogue number indicates the standard pipe connection
- Other pipe threads are available on request
- Installation/maintenance instruction are included with each valve
- Spare Parts Kit and replacement coils are available

DIMENSIONS (mm), WEIGHT (kg)



| catalogue number SC B300 | | A | B | C | D | E | F | G | H | J | K | L | M | N | weight (1) |
|--|---|-----|----|----|----|----|----|----|----|----|-----|----|-----|-----|------------|
| D055, D003 D058, A081 | ~ | 86 | 56 | 33 | 54 | 64 | 37 | 50 | 34 | 86 | 113 | 62 | 124 | 124 | 1,2 |
| D061, A082 D009, D058R A081R, A082 R | = | 109 | 56 | 81 | 54 | 64 | 37 | 50 | 34 | 86 | 113 | 62 | 124 | 124 | 1,2 |
| D064, D072 D068, D076 | ~ | 86 | 56 | 33 | 54 | 64 | 48 | 50 | 34 | 86 | 113 | 62 | 150 | 150 | 1,4 |
| D064R, D068R | = | 109 | 56 | 81 | 54 | 64 | 48 | 50 | 34 | 86 | 113 | 62 | 150 | 150 | 1,4 |

(1) incl. coil and connector