

## FEATURES

- The valves offer environmental protection against the ingress of liquids, dusts or other foreign matter (environmentally protected construction)
- For high reliability in very humid outside environments, the versions on page P524-1 should preferably be used.

## GENERAL

**Fluids** Air or neutral gas, filtered, lubricated or not  
**Operating pressure** 2 to 10 bar  
**Ambient temperature** -25°C to +60°C  
**Flow (Qv to 6 bar)** 860 l/min (ANR) - Kv : 12,5

## CONSTRUCTION

### SPOOL VALVE

**Body** Aluminium, black anodized  
**Internal parts** Zinc diecast, stainless steel, POM (polyacetal), aluminium  
**Seals** NBR (nitrile) and PUR (polyurethane)

### PILOT VALVE

**Seals** NBR (nitrile) and PUR (polyurethane)  
**Electrical safety** IEC 335  
**Coil and magnetic circuit** Encapsulated monobloc design  
**Exhaust** Tapped M5 exhaust port, equipped with exhaust protection



## ELECTRICAL CHARACTERISTICS

	voltage	consumption		insulation class	protection degree	electrical connection
		inrush	holding			
~	24V - 48V - 115V - 230V / 50Hz	6 VA	3,5 VA (2,5 W)	F	IP 65	spade plug connector size 22 DIN 43650, 11 mm industry standard B
=	24V - 48V	2,5 W				

## SPECIFICATIONS

symbol	operators solenoid air pilot (14) return (12)	catalogue number		(M)
		with connector	without connector	
	spring	55102005	55102006	●
	solenoid air	55102007	55102008	●

(M) Type of manual operator on pilot(s): ● : maintained

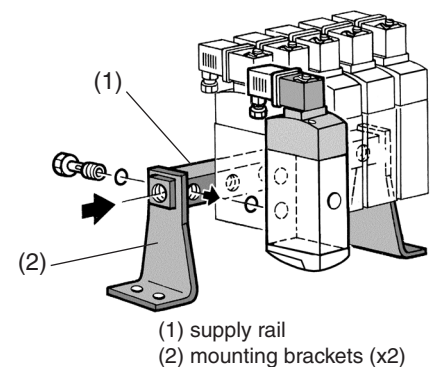
Note: do not connect the pressure supply to the exhaust port 3. For a "distributing" function or use in NO function, consult us.

## ACCESSORIES

- Supply rails

	supply rail supplied with seals and banjo bolts (without mounting brackets) (1)	supply rail with isolation valves - allows isolation of one or more spool valves from the main pressure supply
<b>supply rail for «n» valves</b>	G 1/4	G 1/4
2	88100034	88100915
3	88100035	88100916
4	88100036	88100917
5	88100037	88100918
6	88100038	88100919
7	88100039	88100920
8	88100040	88100921

- Set of 2 mounting brackets (2) for supply rail - catalogue number : **88100049**



### OPTIONS

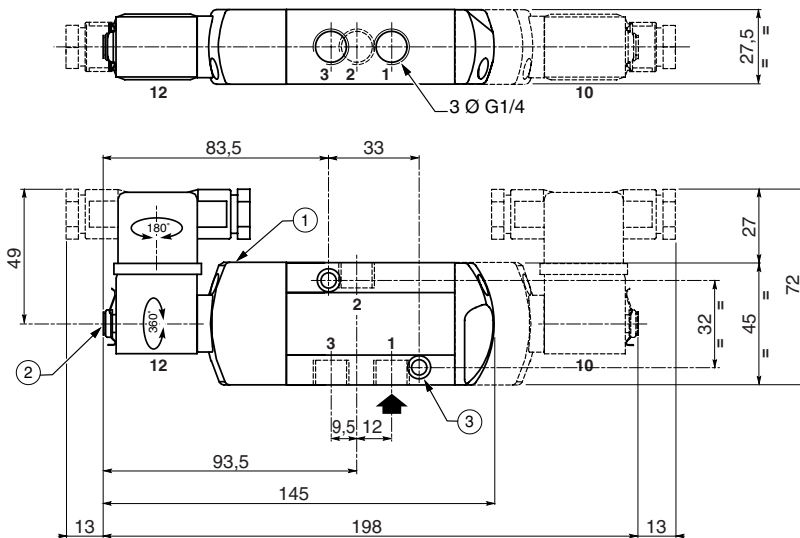
- Other voltages and 60 Hz on request
- ATEX compliant coil and connector for use in potentially explosive dust environments (DU), zone 22
- Double pulse coil, bistable function (see "Coils and Accessories" section)
- Connector size 22, cable length 2 m: **88122413**
- Electrovalve with connector equipped with visual indicator and built-in electrical protection:

catalogue number of spool valve without connector + catalogue number of connector with visual indicator and built-in electrical protection (~ / =)

24V	48V	115V	230V
<b>88122405</b>	<b>88122406</b>	<b>88122407</b>	<b>88122410</b>

### DIMENSIONS (mm), WEIGHT (kg)

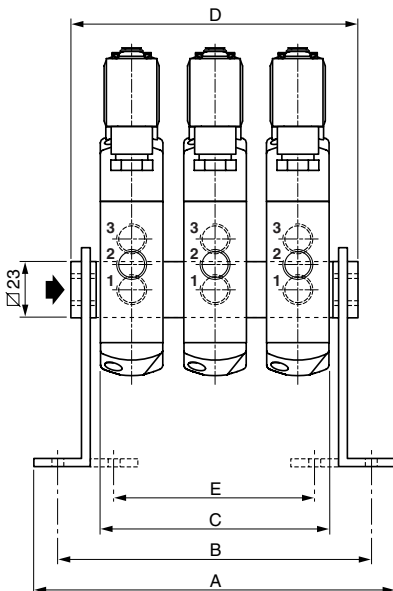
Weight: Spool valve + 1 pilot = 0,316 kg  
 Spool valve + 2 pilots = 0,436 kg



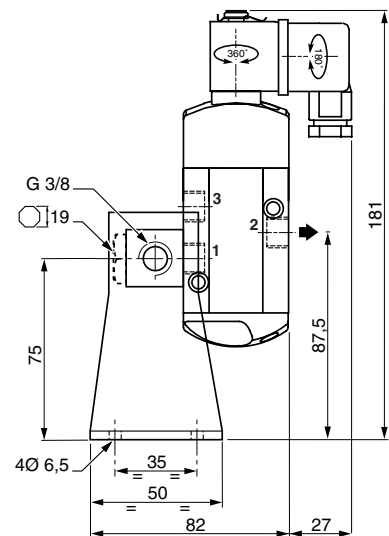
3/2 NC  
 connection  
 1 = Pressure  
 2 = Outlet  
 3 = Exhaust  
 10 = Return  
 12 = Pilot

- ① Maintained manual operator
- ② Connectable M5 exhaust with protection
- ③ 2 mounting holes: Ø 5,3 spotfacing: Ø 9, depth 5

### ASSEMBLY WITH COMMON SUPPLY RAIL



series 551	number of valves							
	2	3	4	5	6	7	8	
A	108	136	164	192	220	248	276	
B	92	120	148	176	204	232	260	
C	55	83	111	139	167	195	223	
D	78	106	134	162	190	218	246	
E	42	70	98	126	154	182	210	
type	weight (kg)							
with 1 pilot	0,9	1,3	1,7	2,0	2,4	2,9	3,3	
with 2 pilots	1,2	1,7	2,1	2,6	3,1	3,6	4,1	



This mounting arrangement allows valves to be mounted in any of 4 positions

