

KMD 985

Manual Valve DN 15 - 100 mm (1/2" - 4")



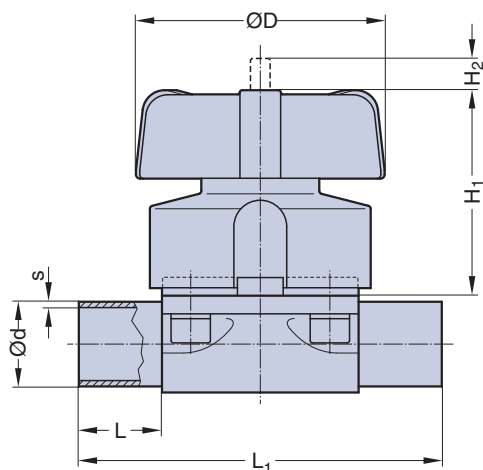
DN 15 - 50

Features

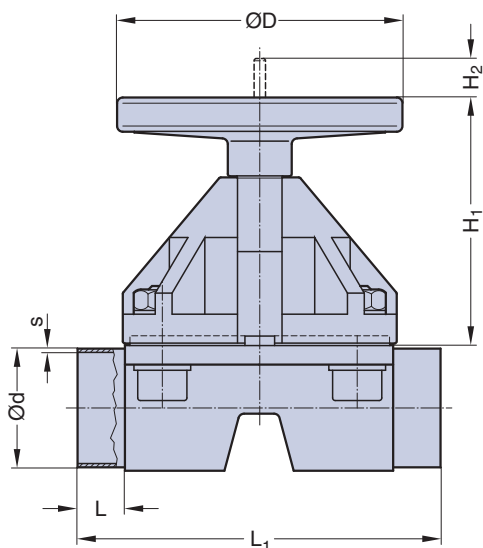
- Thermoplastic bonnet and plastic hand wheel
- Non rising hand wheel with optical indicator
- Flexible diaphragm suspension
- Encapsulated diaphragm

Optional

- Adjustable travel stop or stroke limiter on top
- Sealed bonnet
- Locking device



DN 15 - 50



DN 65 - 100

Technical Data

Control function: Manually operated
 Max. working pressure: 10 bar (150 psi)
 DN 65-100 diaphragm PTFE 8 bar (120 psi)

Max. working temperature: Standard 80°C (176°F)
 HS-Version 150°C (300°F)
 dependent on application

Diaphragm material: EPDM or PTFE
 Valve body material: Forged 1.4435/ 316L ASME/BPE
 Investment cast 1.4435/ 316L
 Other Alloys

End connection: Butt weld ends see fold out page 13
 Clamps and flanges see page 14 and 15
 Special ends

Suitable for:
 Bonnets up to DN 50: Two-Way bodies
 Bonnets bigger DN 50: Two-Way bodies
 Welded configurations
 T- bodies
 Multiport bodies
 Tank bottom bodies

Flow rate: Kv in m³/h (Cv in GPM) see page 7
 Diaphragm size: MA see table

DN (mm)	Dimensions (mm)					
	MA	L	L ₁	H ₁	H ₂	D
15-25	25	25	120	71	10	90
32-40	40	25	153	91	14	114
50	50	30	173	110	23	140
65	80	30	216	180	38	198
80	80	30	254	180	38	198
100	100	30	305	220	50	252

Butt weld ends
 MA 25 - 100
 Fold out page 13