

FEATURES

- Valve for the control of aggressive liquids and gases in the pharmaceutical, biochemical, photographic, chemical and analytical industries, in chip and wafer production, environmental technology as well as colour chemistry
- The valve is suited for all applications in which the fluids must not come into contact with the metal parts (electromagnetic control of the solenoid valve)
- Bellows system made of PTFE and FFPM seals with high functional reliability
- The solenoid valves satisfy all relevant EC directives

GENERAL

Differential pressure

See «SPECIFICATIONS» [1 bar =100 kPa]

Maximum viscosity

40 cSt (mm²/s)

fluids (*)	temperature range (TS)	seal materials (*)
air, inert gases, water, oil and liquids	-10°C to + 90°C ⁽¹⁾	FFPM (perfluoroelastomer)

MATERIALS IN CONTACT WITH FLUID

(*) Ensure that the compatibility of the fluids in contact with the materials is verified

Body	PEEK (polyetheretherketone) or stainless steel, AISI 303 (1.4305)
Core tube	Stainless steel
Core and plugnut	Stainless steel
Springs	Stainless steel
Seals	FFPM
Bellows	PTFE

ELECTRICAL CHARACTERISTICS

Coil insulation class

F

Connector

Spade plug (cable Ø 6-10 mm)

Connector specification

ISO 4400 / EN 175301-803, form A

Electrical safety

IEC 335

Electrical enclosure protection

Moulded IP65 (EN 60529)

Standard voltages

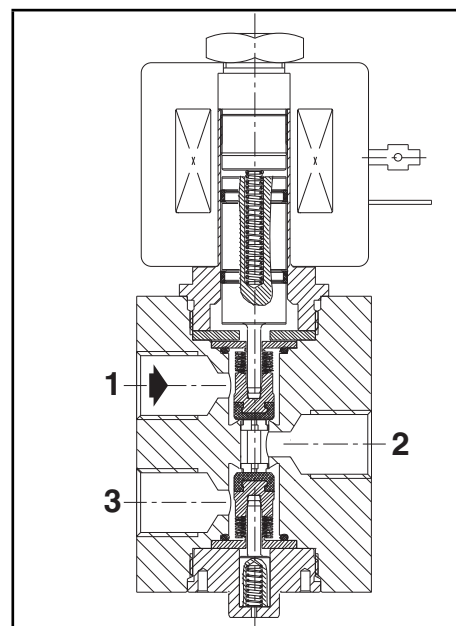
DC (=) : 24V

prefix option	power ratings				operator ambient temperature range (TS) (C°)	replacement coil		type ⁽¹⁾
	inrush	holding		hot/cold		~	=	
	(VA)	(VA)	(W)	(W)		-	24 V DC	
SC	-	-	-	9 / 11,2	-10 to + 75	-	400425-142	01

⁽¹⁾ Refer to the dimensional drawings on the following page.

SPECIFICATIONS

pipe size	orifice size	flow coefficient Kv		operating pressure differential (bar)				power coil (W)		catalogue number		options		
				min.	max. (PS)		~					=	FFPM	EPDM
					air inert gas (*)	liquids (*)								
G	(mm)	(m ³ /h)	(l/min)							PEEK	stainless steel			
NC - Normally closed														
1/4	4	0,26	4,3	0	3	5	-	11,2		SCG396A006	SCG396A003	V	E	-



OPTIONS

- Valves can also be supplied with FPM (fluoroelastomer) and EPDM (ethylene-propylene) seals. Use the appropriate optional suffix letter for identification
- Plug with visual indication and peak voltage suppression or with cable length of 2 m

INSTALLATION

- The solenoid valves can be mounted in any position without affecting operation. However, for optimum performance it is recommended that they be fitted with the solenoid operator at the top.
- Solenoid valves have 4 mounting holes in body
- Pipe connection identifier is G = G (ISO 228/1)
- Installation/maintenance instructions are included with each valve

ORDERING EXAMPLES:

	SC	G	396	A	006	24V / DC
	SC	G	396	A	003	24V / 50 Hz
	SC	G	396	A	006	V 230V / 50 Hz
prefix						
pipe thread						
basic number						
						voltage
						suffix

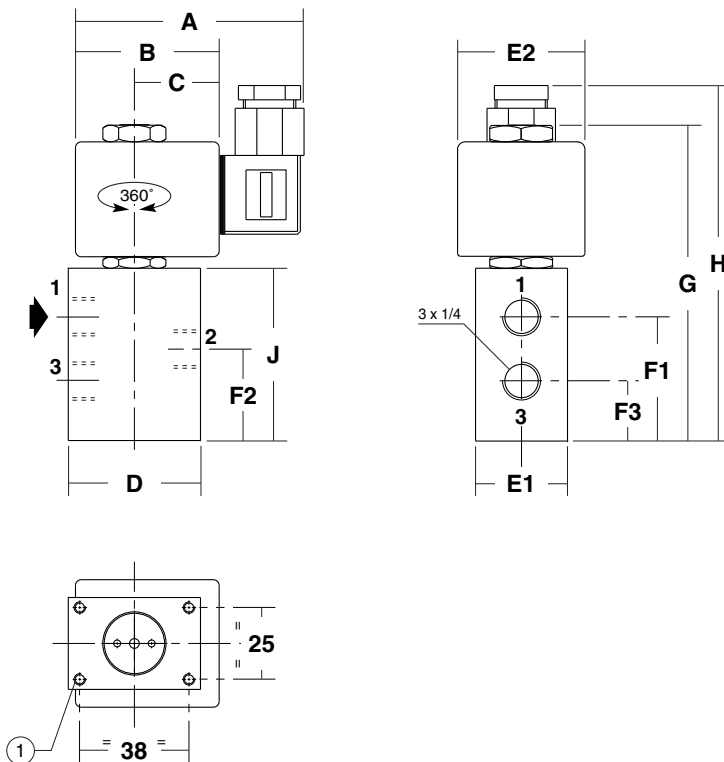
DIMENSIONS (mm), WEIGHT (kg)



TYPE 01

Prefix "SC" Solenoid
ISO 4400

PEEK: SCG396A006 PPS: SCG396A003



① 4 mounting holes Ø M4, depth 8 mm

type	prefix option	catalogue number	A	B	C	D	E1	E2	F1	F2	F3	G	H	J	weight ⁽¹⁾
01	SC	SCG396A006	80	50	30	46	32	45	43	32	21	110	127	60	0,49
		SCG396A003													0,90

⁽¹⁾ Incl. coil(s) and connector(s)..

All leaflets are available on: www.asconumatics.eu

X006-01-70-2