

**FEATURES**

- Solenoid valves for medical analysers, biotechnology and chemical industry
- Bi-directional operation provided up to 1 bar
- Flow restrictor built into the valve body (range of 10 to 100%)
- Any application where the fluid may not come into contact with the electromagnetic control section of the solenoid valves
- The solenoid valves are ideal for controlling aggressive fluids and have easy to flush internal cavities
- The solenoid valves satisfy all relevant EC directives

**GENERAL**

**Differential pressure** See «SPECIFICATIONS» [1 bar =100 kPa]  
**Maximum viscosity** 37 cSt (mm²/s)  
**Response time** 20 ms

fluids (*)	temperature range (TS)	seal materials (*)
air, inert gases, water, oil and liquids	- 10°C to + 80°C	FPM (fluoroelastomer)

**MATERIALS IN CONTACT WITH FLUID**

(\*) Ensure that the compatibility of the fluids in contact with the materials is verified

**Body** Glass fibre filled PP  
**Diaphragm** FPM

**OTHERS MATERIALS**  
**Internal pieces** Stainless steel

**ELECTRICAL CHARACTERISTICS**

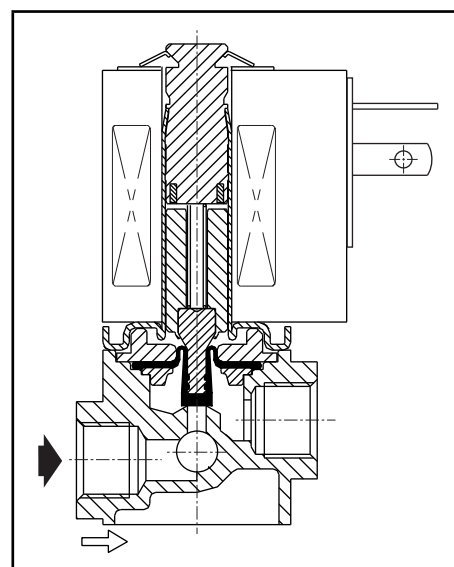
**Coil insulation class** F  
**Connector** Spade plug (cable Ø 6-10 mm)  
**Connector specification** ISO 4400 / EN 175301-803, form A  
**Electrical safety** IEC 335  
**Electrical enclosure protection** Moulded IP65 (EN 60529)  
**Standard voltages** DC (=) : 12V - 24V  
 AC (~) : 24V - 115V - 230V / 50 Hz  
 (Other voltages and 60 Hz on request)

prefix option	power ratings				operator ambient temperature range (TS) (C°)	replacement coil		type <sup>(1)</sup>
	inrush ~	holding ~	hot/cold =			~	=	
	(VA)	(VA)	(W)	(W)		230 V/50 Hz	24 V DC	
SC	23	14	8	9	-10 to + 60	43005149	43005144	01

<sup>(1)</sup> Refer to the dimensional drawings on the following page.

**SPECIFICATIONS**

pipe size	orifice size (mm)	flow coefficient Kv (m³/h) (l/min)		operating pressure differential (bar)				power coil (W)		catalogue number	
				max. (PS)							
				min.	air, inert gases (*)		liquids (*)				
G	(mm)	(m³/h)	(l/min)		~	=	~	=	~/=		
<b>NC - Normally closed</b>											
1/4	4,5	0,45	7,5	0	1	1	1	1	8	9	<b>SCG282A005</b>



## OPTIONS

- Plug with visual indication and peak voltage suppression or with cable length of 2 m (see Solenoids, Coils & Accessories section)

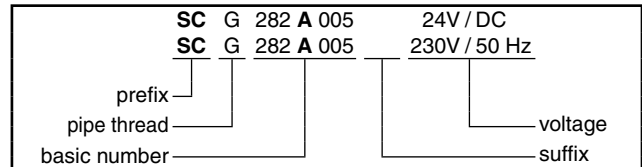
## INSTALLATION

- The solenoid valves can be mounted in any position without affecting operation. For optimum performance mount solenoid vertical and upright
- Pipe connection identifier is G = G (ISO 228/1)
- Installation/maintenance instructions are included with each valve
- Replacements coils are available:  
8 W/9 W (AMX): DC, 12 V, catalogue number **43005143**, AC, 24 V, catalogue number **43005146** ; 115 V, catalogue number **43005147**

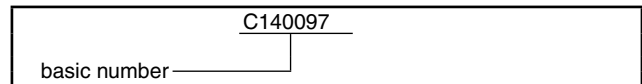
## SPARE PARTS KIT & ACCESSORIES

catalogue number	spare parts kit no.	
	~	=
SCG282A005	<b>C140097</b>	<b>C140097</b>

## ORDERING EXAMPLES:



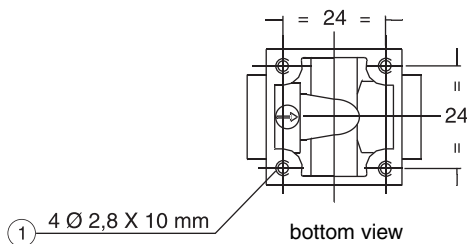
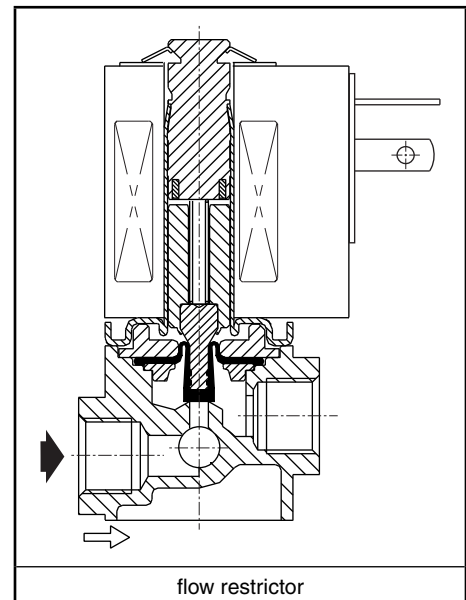
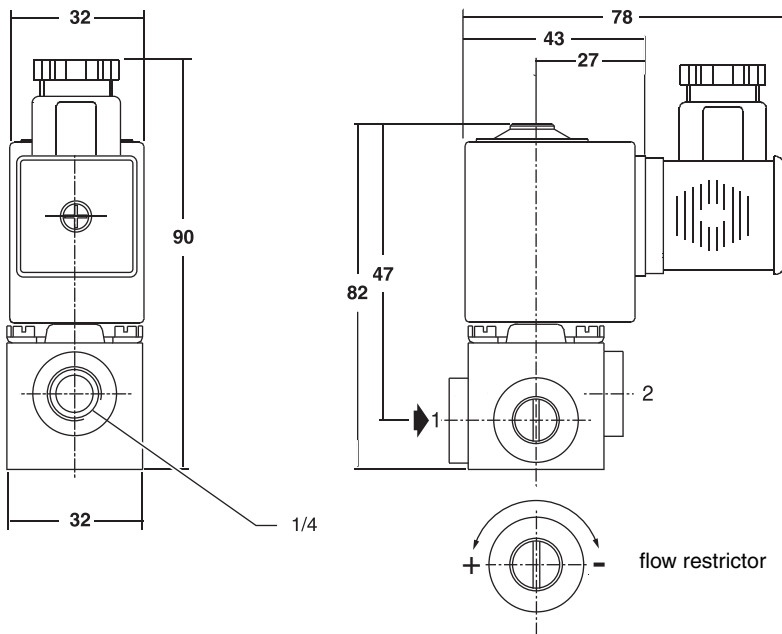
## ORDERING EXAMPLES KITS:



## DIMENSIONS (mm), WEIGHT (kg)

**TYPE 01**  
 Prefix "SC" Solenoid  
 Epoxy moulded  
 IEC 335 / ISO 4400  
 IP65

SCG282A005



type	prefix option	weight <sup>(1)</sup>
01	SC	0,32

① Use self-tapping screws only for plastic materials.

<sup>(1)</sup> Incl. coil(s) and connector(s).