

FEATURES

- Solenoid valves for medical analysers, biotechnology and chemical industry
- Any application where the fluid may not come into contact with the electromagnetic control section of the solenoid valves
- The solenoid valves are ideal for controlling aggressive fluids and have easy to flush internal cavities
- The solenoid valves satisfy all relevant EC directives

GENERAL

Differential pressure See «SPECIFICATIONS» [1 bar =100 kPa]
Maximum viscosity 37 cSt (mm²/s)
Response time 10 ms (SCE282B001) ; 20 ms (SCG282B003)
Dead volume < 70 µl (coupling not included)

fluids (*)	temperature range (TS)	seal materials (*)
air, inert gases, water, oil and liquids	- 10°C to + 100°C	VMQ (silicone)

MATERIALS IN CONTACT WITH FLUID

(*) Ensure that the compatibility of the fluids in contact with the materials is verified
Body Stainless steel AISI 316 or PVDF (polyvinylidene fluoride)
Diaphragm VMQ or PTFE

OTHERS MATERIALS

Internal pieces Stainless steel

ELECTRICAL CHARACTERISTICS

Coil insulation class F
Connector Spade plug (cable Ø 4-6 mm or Ø 6-10 mm)
Connector specification

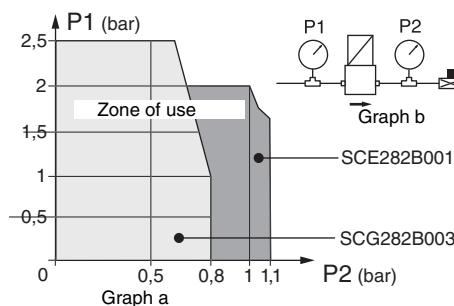
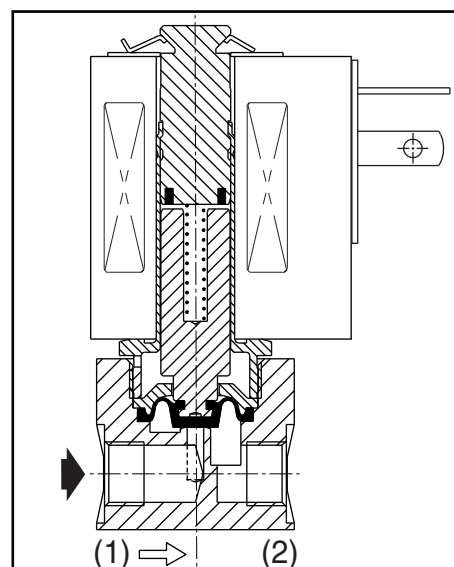
2,5 W (DMX) DIN 43650, 9,4 mm, industry standard B
 8 W /9 W (ANX) ISO 4400 / EN 175301-803, form A

Electrical safety IEC 335
Electrical enclosure protection Moulded IP65 (EN 60529)

Standard voltages DC (=) : 12V - 24V
 AC (-) : 24V - 115V - 230V / 50 Hz

prefix option	power ratings			operator ambient temperature range (TS) (C°)	replacement coil		type ⁽¹⁾	
	inrush ~	holding ~	hot/cold =		~	=		
	(VA)	(VA)	(W)		230 V/50 Hz	24 V DC		
SC	-	-	-	2,5	-10 to +60	-	43005189	01
	23	14	8	9	-10 to +60	43005275	43005272	02

⁽¹⁾ Refer to the dimensional drawings on the following page.



SPECIFICATIONS

pipe size	orifice size (mm)	flow coefficient Kv		min.	operating pressure differential (bar) max. (PS)				power coil (W)		catalogue number		FPM	EPDM
		(m ³ /h)	(l/min)		air, inert gases (*)		liquids (*)							
		~	=		~	=	~	=	stainless steel	PVDF				
NC - Normally closed														
M5	1,6	0,04	0,66	0	-	2 ⁽²⁾	-	2 ⁽²⁾	-	2,5	SCE282B001	-	V	E
G 1/8	4	0,32	5,33	0	2,5 ⁽²⁾	2,5 ⁽²⁾	2,5 ⁽²⁾	2,5 ⁽²⁾	8	9	-	SCG282B003	V	E

⁽²⁾ See graphs (a) and (b) variation of inlet pressure (P2) for outlet pressure (P1) maintained.

OPTIONS

- Valves can also be supplied with FPM (fluoroelastomer) and EPDM (ethylene-propylene) seals. Use the appropriate optional suffix letter for identification
- Other pipe connections are available on request
- Plug with visual indication and peak voltage suppression or with cable length of 2 m (see Solenoids, Coils & Accessories section)

INSTALLATION

- The solenoid valves can be mounted in any position without affecting operation. For optimum performance mount solenoid vertical and upright
- Pipe connection identifier is G = G (ISO 228/1)
- Installation/maintenance instructions are included with each valve
- Replacements coils are available:
2,5 W (DMX): DC, 12 V, catalogue number **43005188**
8 W/9 W (ANX): DC, 12 V, catalogue number **43005271**, AC, 24 V, catalogue number **43005273** ; 115 V, catalogue number **43005274**

ORDERING EXAMPLES:

SC	E	282	B	001	24V / DC	
SC	G	282	B	003	115V / 50 Hz	
SC	G	282	B	003	V	230V / 50 Hz

prefix ———
 pipe thread ———
 basic number ———
 voltage ———
 suffix ———

DIMENSIONS (mm), WEIGHT (kg)



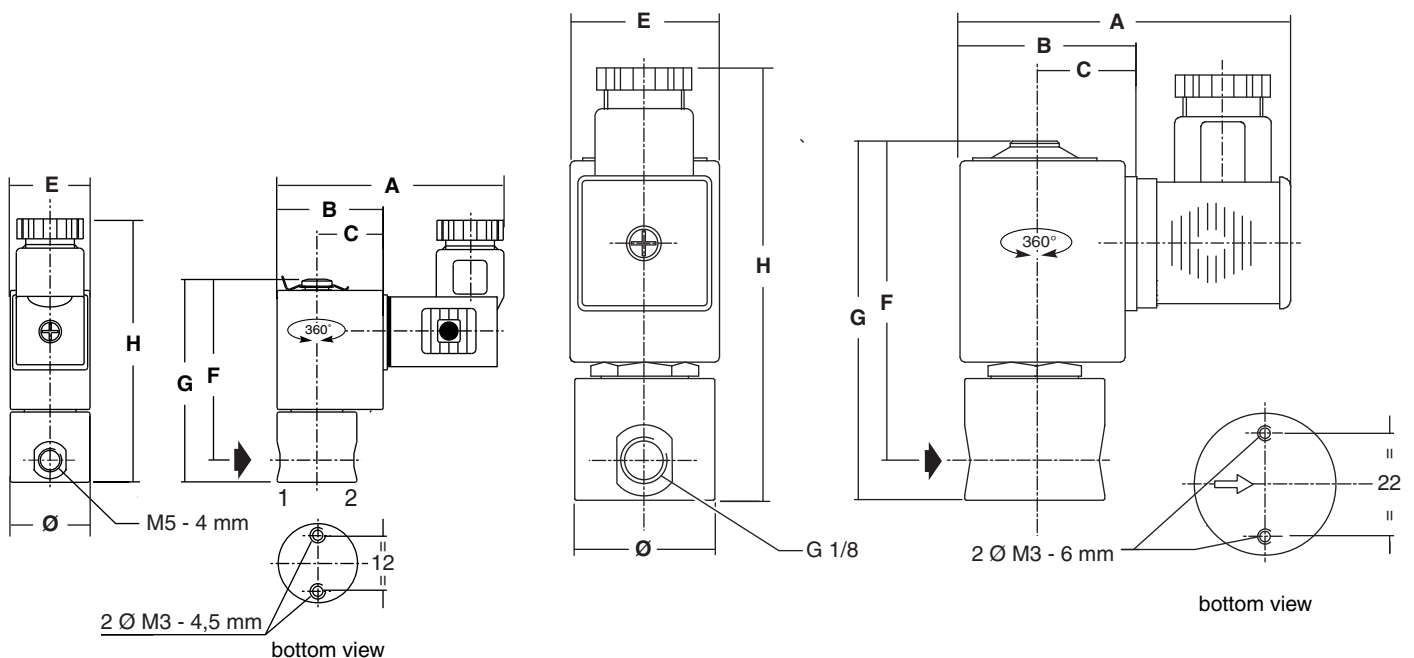
TYPE 01
Prefix "SC" Solenoid
Epoxy moulded
IEC 335 / DIN 43650
IP65

SCE282B001



TYPE 02
Prefix "SC" Solenoid
Epoxy moulded
IEC 335 / ISO 4400
IP65

SCG282B003



type	prefix option	catalogue number	Ø	A	B	C	D	E	F	G	H	weight ⁽¹⁾
01	SC	SCE282B001	17	49,5	23,5	15	-	17	38,3	43	63	0,082
02	SC	SCG282B003	30	76,5	41,5	27	-	30	65	74	84	0,22

⁽¹⁾ Incl. coil(s) and connector(s).