

**FEATURES**

- Solenoid valve suitable for cutting off the flow of a fluid by pinch
- For sterile, aseptic, physiological and food applications
- No turbulence or gap when cutting off flow by pinch
- Silent operation
- Full bore output flow compared with a traditional solenoid valve
- Manual pulse control for fitting tube
- A single component in contact with the fluid, i.e. the tube
- Bi-directional flow
- The solenoid valves satisfy all relevant EC directives

**GENERAL**

**Differential pressure** See «SPECIFICATIONS» [1 bar =100 kPa]

<b>fluids (*)</b>
air, inert gases, water, oil and liquids



**MATERIALS IN CONTACT WITH FLUID**

(\*) Ensure that the compatibility of the fluids in contact with the materials is verified

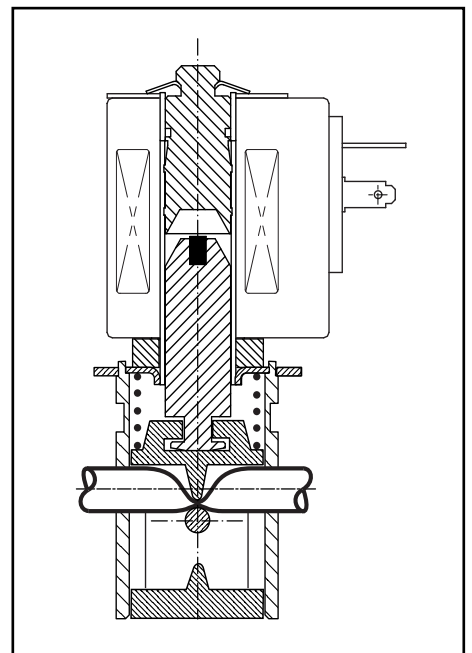
**Recommended flexible tube** VMQ (silicone)  
(max. hardness: 50 Shore A)  
The silicone tube is not included in our supply

**OTHER MATERIALS**

**Body** Aluminium, anodised  
**Pinch mechanism** POM (Graphite-reinforced polyacetal)  
**Internal parts** Stainless steel  
**Guide tube** Nickel-plated brass

**ELECTRICAL CHARACTERISTICS**

**Coil insulation class** F  
**Connector** Spade plug (cable Ø 4-6 mm or Ø 6-10 mm)  
**Connector specification**  
4 W (DMX) DIN 43650, 9,4 mm, industry standard B  
6 W /13 W (AMX/FNX) ISO 4400 / EN 175301-803, form A  
**Electrical safety** IEC 335  
**Electrical enclosure protection** Moulded IP65 (EN 60529)  
**Standard voltages** DC (=) : 12V - 24V  
(Other voltages on request)



prefix option	power ratings				operator ambient temperature range (TS) (C°)	replacement coil		type <sup>(1)</sup>
	inrush ~	holding ~	hot/cold =			=	=	
	(VA)	(VA)	(W)	(W)		12 V DC	24 V DC	
SC	-	-	-	4	-10 to + 60	43005185	43005186	01 (DMX)
	-	-	-	9		43005143	43005144	02 (AMX)
	-	-	-	13		43005316	43005317	02 (FNX)

<sup>(1)</sup> Refer to the dimensional drawings on the following page.

**SPECIFICATIONS**

tube I.D. (mm)	tube O.D. (mm)	pinch force (daN)	operating pressure differential (bar)				power coil (W)		catalogue number
			min.	max. (PS)		~	=		
				air inert gas (*)	liquids (*)			=	
<b>NC - Normally closed</b>									
0,76	1,65	0,18	0	0,8	0,8	-	4	<b>SCH284A001</b>	
1,02	2,16	0,22	0	0,8	0,8	-	4	<b>SCH284A002</b>	
1,57	3,18	0,28	0	0,8	0,8	-	4	<b>SCH284A003</b>	
1,98	3,18	0,25	0	0,8	0,8	-	4	<b>SCH284A004</b>	
2,7	4,9	0,65	0	0,8	0,8	-	9	<b>SCH284A005</b>	
4,8	7,9	1,1	0	0,8	0,8	-	13	<b>SCH284B006</b>	
6,4	9,5	1,4	0	0,8	0,8	-	13	<b>SCH284B007</b>	

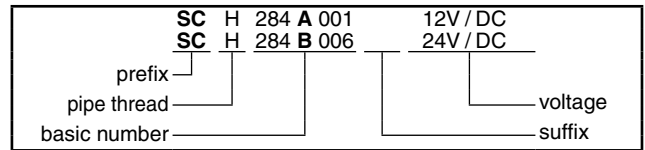
## OPTIONS AND ACCESSORIES

- Flexible tubes having to use an external guiding device for optimum support (see dimensions):
  - with an outside diameter lower than 2,2 mm (catalogue numbers SCH284A001 to ..A004)
  - with an outside diameter lower than 3,5 mm (catalogue number SCH284A005)
  - with an outside diameter lower than 6 mm (catalogue numbers SCH284B006 and ..007)
- For use on tubes other than those recommended, contact us
- Plug with visual indication and peak voltage suppression or with cable length of 2 m

## INSTALLATION

- The solenoid valves can be mounted in any position without affecting operation. However, for optimum performance it is recommended that they be fitted with the solenoid operator at the top.
- Fixing plate built in between the body and the coil for assembly in a bank on a base plate.
- Flexible tubes are not included in our supply.
- Do not connect the solenoid valve to the power supply without fitting a flexible tube beforehand**
- Installation/maintenance instructions are included with each valve.

## ORDERING EXAMPLES:



## DIMENSIONS (mm), WEIGHT (kg)



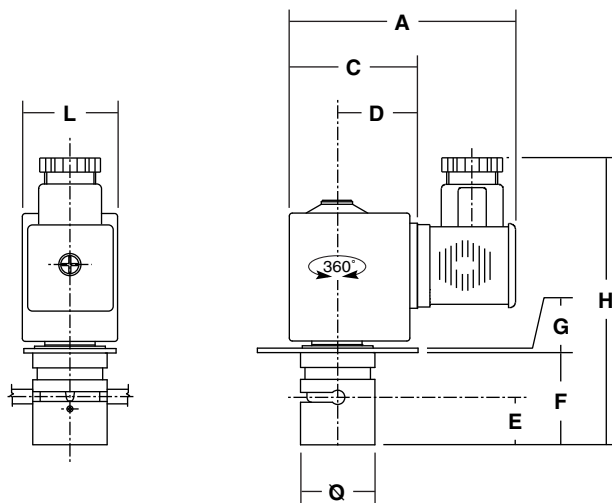
**TYPE 01**  
Prefix "SC" Solenoid  
IEC 335 / DIN 43650  
IP65

Type 01: SCH284A009/010/011/012

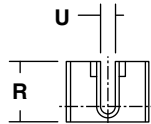
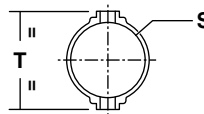


**TYPE 02-03**  
Prefix "SC" Solenoid  
IEC 335 / ISO 4400  
IP65

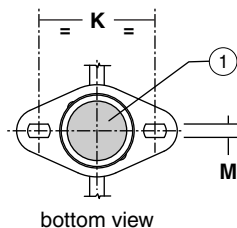
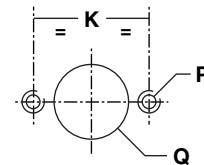
Type 02: SCH284A013  
Type 03: SCH284B014/B015



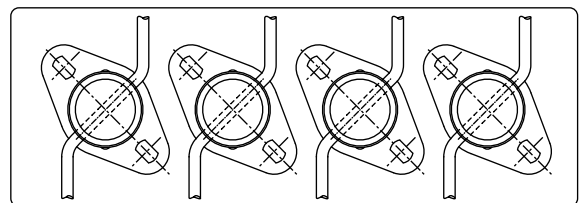
tube guiding device



arrangement for wall-fitting



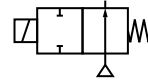
example of banked assembly



① Impulse manual operator

type	prefix option	catalogue number	Ø	A	C	D	E	F	G	H	K	L	M	P	Q	R	S	T	U	weight <sup>(1)</sup>	tube guiding device	
																					catalogue number	weight
01	SC	SCH284A001/002/003/004	16	49,5	23,5	15	11	20	1	66	24	17	3,3	M3	16,5	10,7	16	24	2,2	0,06	C140094	0,005
02	SC	SCH284A005	25	78	43	27	17,5	32	1,5	99	39	32	4,5	M4	25,5	14	25	33	3,2	0,28	C140095	0,009
03	SC	SCH284B006/B007	30	84	49	28	24,5	43,5	1,5	99	45,5	42	4,5	M4	30,5	24	30	39	6	0,47	C140096	0,015

<sup>(1)</sup> Incl. coil(s) and connector(s)..



**FEATURES**

- Solenoid valve suitable for cutting off the flow of a fluid by pinch
- For sterile, aseptic, physiological and food applications
- No turbulence or gap when cutting off flow by pinch
- Silent operation
- Full bore output flow compared with a traditional solenoid valve
- Manual pulse control for fitting tube
- A single component in contact with the fluid, i.e. the tube
- Bi-directional flow
- The solenoid valves satisfy all relevant EC directives

**GENERAL**

**Differential pressure** See «SPECIFICATIONS» [1 bar =100 kPa]

fluids (*)
air, inert gases, water, oil and liquids

**MATERIALS IN CONTACT WITH FLUID**

(\*) Ensure that the compatibility of the fluids in contact with the materials is verified

**Recommended flexible tube** VMQ (silicone)  
(max. hardness: 50 Shore A)  
The silicone tube is not included in our supply

**OTHER MATERIALS**

**Body** Aluminium, anodised  
**Pinch mechanism** POM (Graphite-reinforced polyacetal)  
**Internal parts** Stainless steel  
**Guide tube** Nickel-plated brass

**ELECTRICAL CHARACTERISTICS**

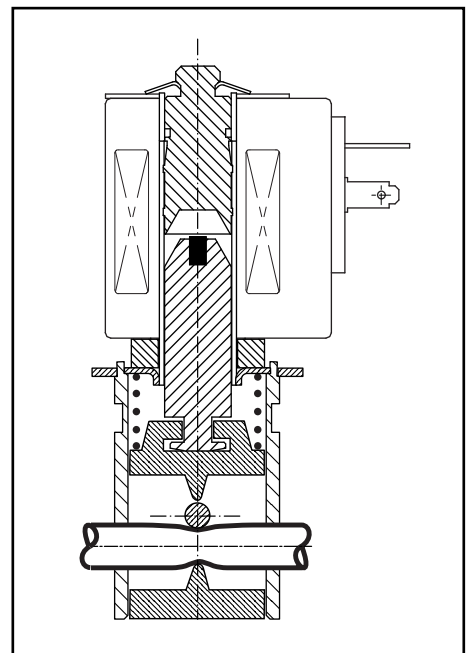
**Coil insulation class** F  
**Connector** Spade plug (cable Ø 4-6 mm or Ø 6-10 mm)  
**Connector specification**  
4 W (DMX) DIN 43650, 9,4 mm, industry standard B  
6 W /13 W (AMX/FNX) ISO 4400 / EN 175301-803, form A  
**Electrical safety** IEC 335  
**Electrical enclosure protection** Moulded IP65 (EN 60529)  
**Standard voltages** DC (=) : 12V - 24V  
(Other voltages on request)

prefix option	power ratings				operator ambient temperature range (TS) (C°)	replacement coil		type <sup>(1)</sup>
	inrush ~	holding ~	hot/cold =	=		=		
	(VA)	(VA)	(W)				(W)	
SC	-	-	-	4	-10 to + 60	43005185	43005186	01 (DMX)
	-	-	-	9		43005143	43005144	02 (AMX)
	-	-	-	13		43005316	43005317	02 (FNX)

<sup>(1)</sup> Refer to the dimensional drawings on the following page.

**SPECIFICATIONS**

tube I.D.	tube O.D.	pinch force	operating pressure differential (bar)				power coil (W)		catalogue number
			min.	max. (PS)		~	=		
				air inert gas (*)	liquids (*)				
(mm)	(mm)	(daN)		=	=			=	
<b>NO - Normally open</b>									
0,76	1,65	1,2	0	0,8	0,8	-	4	<b>SCH284A009</b>	
1,02	2,16	1,3	0	0,8	0,8	-	4	<b>SCH284A010</b>	
1,57	3,18	0,6	0	0,8	0,8	-	4	<b>SCH284A011</b>	
1,98	3,18	0,9	0	0,8	0,8	-	4	<b>SCH284A012</b>	
2,7	4,9	0,5	0	0,8	0,8	-	9	<b>SCH284A013</b>	
4,8	7,9	2,3	0	0,8	0,8	-	13	<b>SCH284B014</b>	
6,4	9,5	2,4	0	0,8	0,8	-	13	<b>SCH284B015</b>	



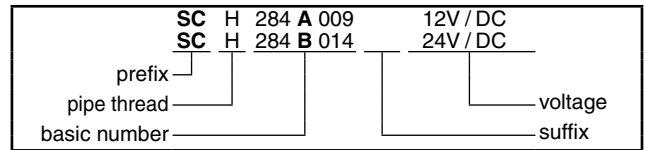
## OPTIONS AND ACCESSORIES

- Flexible tubes having to use an external guiding device for optimum support (see dimensions):
  - with an outside diameter lower than 2,2 mm (catalogue numbers SCH284A009 to ..A012)
  - with an outside diameter lower than 3,5 mm (catalogue number SCH284A013)
  - with an outside diameter lower than 6 mm (catalogue numbers SCH284B014 and ..015)
- For use on tubes other than those recommended, contact us
- Plug with visual indication and peak voltage suppression or with cable length of 2 m

## INSTALLATION

- The solenoid valves can be mounted in any position without affecting operation. However, for optimum performance it is recommended that they be fitted with the solenoid operator at the top.
- Fixing plate built in between the body and the coil for assembly in a bank on a base plate.
- Flexible tubes are not included in our supply.
- Do not connect the solenoid valve to the power supply without fitting a flexible tube beforehand**
- Installation/maintenance instructions are included with each valve.

## ORDERING EXAMPLES:



## DIMENSIONS (mm), WEIGHT (kg)



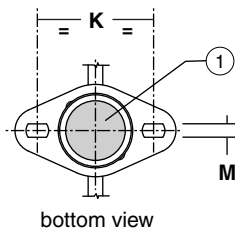
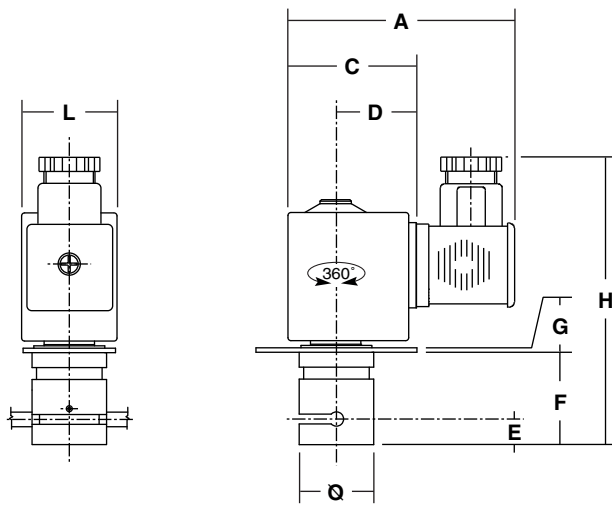
**TYPE 01**  
Prefix "SC" Solenoid  
IEC 335 / DIN 43650  
IP65

Type 01: SCH284A009/010/011/012

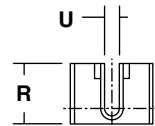
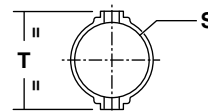


**TYPE 02-03**  
Prefix "SC" Solenoid  
IEC 335 / ISO 4400  
IP65

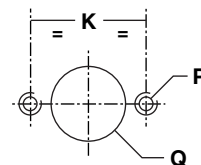
Type 02: SCH284A013  
Type 03: SCH284B014/B015



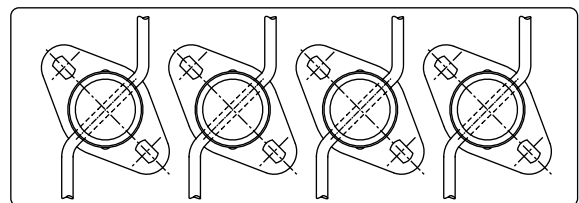
tube guiding device



arrangement for wall-fitting



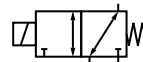
example of banked assembly



① Impulse manual operator

type	prefix option	catalogue number	Ø	A	C	D	E	F	G	H	K	L	M	P	Q	R	S	T	U	weight <sup>(1)</sup>	tube guiding device	
																					catalogue number	weight
01	SC	SCH284A009/010/011/012	16	49,5	23,5	15	6	20	1	66	24	17	3,3	M3	16,5	10,7	16	24	2,2	0,06	C140094	0,005
02	SC	SCH284A013	25	78	43	27	10,5	32	1,5	99	39	32	4,5	M4	25,5	14	25	33	3,2	0,29	C140095	0,009
03	SC	SCH284B014/B015	30	84	49	28	13	43,5	1,5	99	45,5	42	4,5	M4	30,5	24	30	39	6	0,45	C140096	0,015

<sup>(1)</sup> Incl. coil(s) and connector(s)..



**FEATURES**

- Solenoid valve suitable for cutting off the flow of a fluid by pinch
- For sterile, aseptic, physiological and food applications
- No turbulence or gap when cutting off flow by pinch
- Silent operation
- Full bore output flow compared with a traditional solenoid valve
- Manual pulse control for fitting tube
- A single component in contact with the fluid, i.e. the tube
- Bi-directional flow
- The solenoid valves satisfy all relevant EC directives

**GENERAL**

**Differential pressure**

See «SPECIFICATIONS» [1 bar =100 kPa]

fluids (*)
air, inert gases, water, oil and liquids

**MATERIALS IN CONTACT WITH FLUID**

(\*) Ensure that the compatibility of the fluids in contact with the materials is verified

**Recommended flexible tube**

VMQ (silicone)  
(max. hardness: 50 Shore A)  
The silicone tube is not included in our supply

**OTHER MATERIALS**

**Body** Aluminium, anodised  
**Pinch mechanism** POM (Graphite-reinforced polyacetal)  
**Internal parts** Stainless steel  
**Guide tube** Nickel-plated brass

**ELECTRICAL CHARACTERISTICS**

**Coil insulation class** F  
**Connector** Spade plug (cable Ø 4-6 mm or Ø 6-10 mm)  
**Connector specification**  
4 W / 8 W / 6 W (DMX) DIN 43650, 9,4 mm, industry standard B  
6 W / 13 W (AMX/FNX) ISO 4400 / EN 175301-803, form A  
**Electrical safety** IEC 335  
**Electrical enclosure protection** Moulded IP65 (EN 60529)  
**Standard voltages** DC (=) : 12V - 24V

(Other voltages on request)

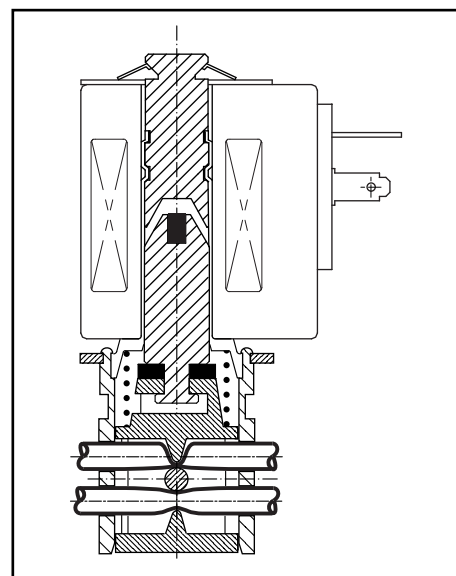
prefix option	power ratings			operator ambient temperature range (TS) (C°)	replacement coil		type <sup>(1)</sup>
	inrush ~	holding ~	hot/cold =		=	=	
	(VA)	(VA)	(W)		12 V DC	24 V DC	
SC	-	-	-	4	43005185	43005186	01 (DMX)
	-	-	-	8	43005193	43005194	
	-	-	-	6	43005191	43005192	
	-	-	-	9	43005143	43005144	
	-	-	-	13	43005316	43005317	
	-	-	-	13	43005316	43005317	

<sup>(1)</sup> Refer to the dimensional drawings on the following page.

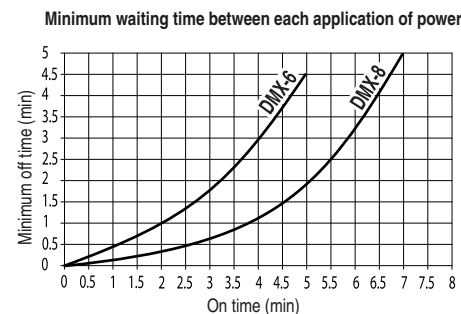
**SPECIFICATIONS**

tube I.D. (mm)	tube O.D. (mm)	pinch force (daN)	operating pressure differential (bar)		power coil (W)	catalogue number	
			min.	max. (PS)			
				air inert gas (*)			liquids (*)
					~	=	
<b>U - Universal</b>							
0,76	1,65	0,12	0	0,8	0,8	SCH384A004	
1,02	2,16	0,18	0	0,8	0,8	SCH384A001	
1,57	3,18	0,22	0	0,8	0,8	SCH384A002	
1,98	3,18	0,18	0	0,8	0,8	SCH384A003	
3,4	4,7	0,4	0	0,8	0,8	SCH384A005	
4,8	7,9	0,85	0	0,8	0,8	SCH384B006	
6,4	9,5	1,1	0	0,8	0,8	SCH384B007	

<sup>(1)</sup> Observe the minimum of time stated, see graph above.



**USE IN INTERMITTENT SERVICE**



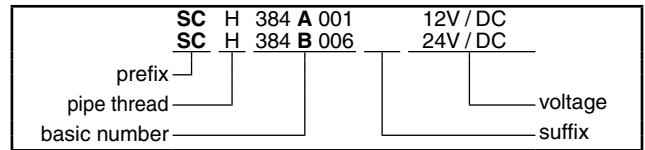
## OPTIONS AND ACCESSORIES

- Flexible tubes having to use an external guiding device for optimum support (see dimensions):
  - with an outside diameter lower than 2,2 mm (catalogue numbers SCH384A001 to ..A004)
  - with an outside diameter lower than 3,5 mm (catalogue number SCH384A005)
  - with an outside diameter lower than 6 mm (catalogue numbers SCH384B006 and ..007)
- For use on tubes other than those recommended, contact us
- Plug with visual indication and peak voltage suppression or with cable length of 2 m

## INSTALLATION

- The solenoid valves can be mounted in any position without affecting operation. However, for optimum performance it is recommended that they be fitted with the solenoid operator at the top.
- Fixing plate built in between the body and the coil for assembly in a bank on a base plate.
- Flexible tubes are not included in our supply.
- **Do not connect the solenoid valve to the power supply without fitting a flexible tube beforehand**
- Installation/maintenance instructions are included with each valve.

## ORDERING EXAMPLES:



## DIMENSIONS (mm), WEIGHT (kg)



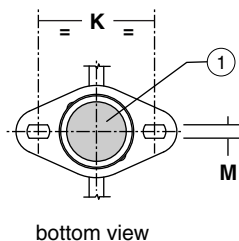
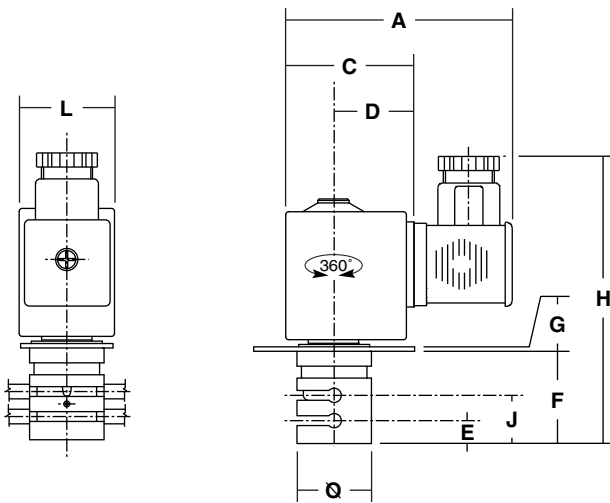
**TYPE 01**  
Prefix "SC" Solenoid  
IEC 335 / DIN 43650  
IP65

Type 01: SCH384A001/002/003/004



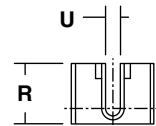
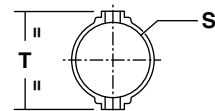
**TYPE 02-03**  
Prefix "SC" Solenoid  
IEC 335 / ISO 4400  
IP65

Type 02: SCH384A005  
Type 03: SCH384B006/B007

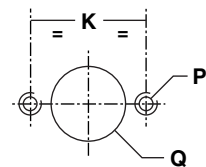


bottom view

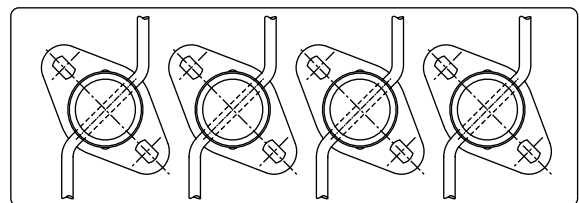
tube guiding device



arrangement for wall-fitting



example of banked assembly



① Impulse manual operator

type	prefix option	catalogue number	Ø	A	C	D	E	F	G	H	J	K	L	M	P	Q	R	S	T	U	weight <sup>(1)</sup>	tube guiding device	
																						catalogue number	weight
01	SC	SCH384A001/002/003/004	16	49,5	23,5	15	6	20	1	66	11	24	17	3,3	M3	16,5	10,7	16	24	2,2	0,06	C140094	0,005
02	SC	SCH384A005	25	78	43	27	10,5	32	1,5	99	17,5	39	32	4,5	M4	25,5	14	25	33	3,2	0,30	C140095	0,009
03	SC	SCH384B006/B007	30	84	49	28	13	43,5	1,5	99	24,5	45,5	42	4,5	M4	30,5	24	30	39	6	0,45	C140096	0,015

<sup>(1)</sup> Incl. coil(s) and connector(s)..