

FEATURES

- Valves for medical analysers, biotechnology, gas analysers
- Can be used to control acids and bases, as well as analytical reagents
- Any application where the fluid may not come into contact with metal parts and with the electromagnetic control section of the solenoid valves
- The valves are ideal for controlling aggressive fluids or when high purity is demanded and have easy to flush internal cavities
- They can also be used as a very small internal volume flow-through sampling valve due to rocker technology
- Hermetic separation of control mechanism and fluid
- Reduced heat exchange between coil and fluid
- Protected manual operator
- The use of first class materials and thorough valve testing ensure high reliability and a lifetime of at least 1 million cycles
- The solenoid valves satisfy all relevant EC directives

GENERAL

Differential pressure	-0,7 to +2 bar (usable in 0,3 bar abs. vacuum) [1 bar =100 kPa]
Maximum viscosity	20 cSt (mm ² /s)
Response time	< 20 ms
Dead volume	< 0,75 µl (connections not included)

fluids (*)	temperature range (TS)	seal materials (*)
liquids or gases	0°C to + 40°C	EPDM (ethylene-propylene)

CONSTRUCTION

Body	PA12
Internal parts	Stainless steel

MATERIALS IN CONTACT WITH FLUID

(*) Ensure that the compatibility of the fluids in contact with the materials is verified

Cover	PA12 (transparent), enabling flow of fluid to be seen
Diaphragm-poppets	EPDM

ELECTRICAL CHARACTERISTICS

Coil insulation class	F
Duty cycle	100 %
Coil	Two spade terminals 2.8 x 0.5 mm (DIN 46340)
Electrical safety	IEC 335
Electrical enclosure protection	IP40 (EN60529)
Standard voltages	DC (=) : 12V - 24V

(Other voltages on request)

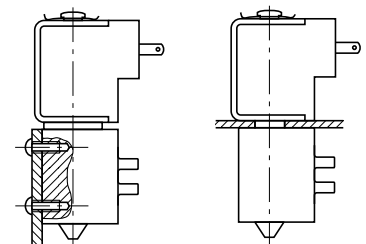
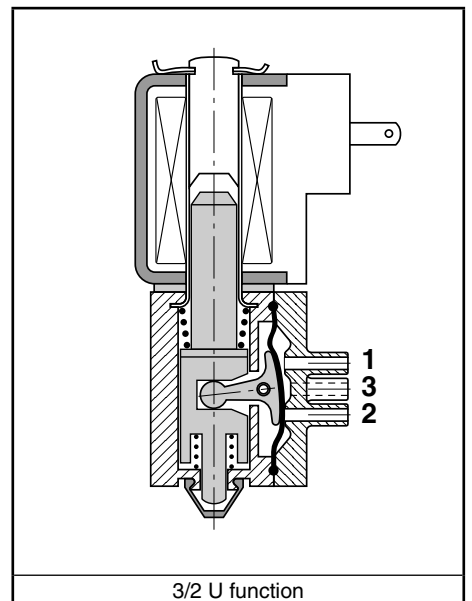
	power ratings			operator ambient temperature range (TS) (C°)	replacement coil		type ⁽¹⁾
	inrush ~ (VA)	holding ~ (VA)	hot/cold = (W)		-	=	
-	-	-	-	4 / 5	-	24 V DC	01
-	-	-	-	-5 to + 40	-	43004663	

⁽¹⁾ Refer to the dimensional drawings on the following page.

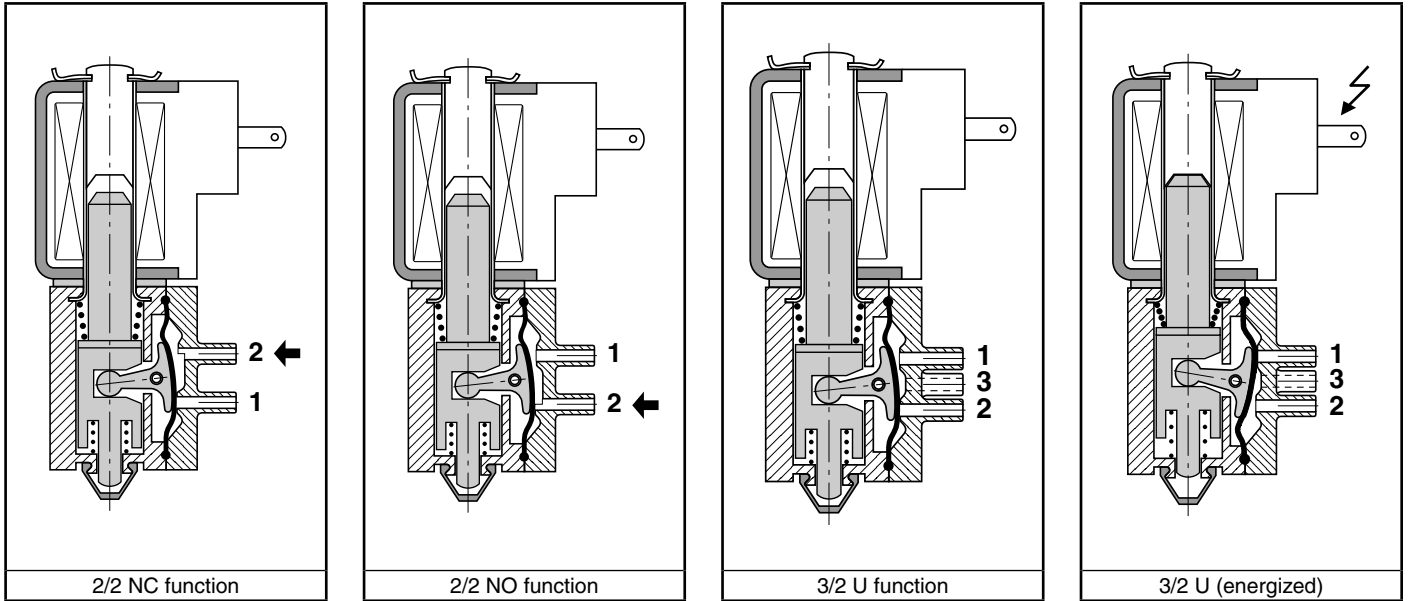
SPECIFICATIONS

pipe size	orifice size (mm)	flow coefficient Kv (m ³ /h) (l/min)		operating pressure differential (bar)				power coil (W)		catalogue number (protected impulse manual operator)	
				min.	max. (PS)		rear mounting			control support plate mounting	
					gases (*)	liquids (*)					=
2/2 NC - Normally closed / 2 connections											
⁽²⁾	1,5	0,05	0,75	-0,7	2	2	-	5	11000006	11000010	
2/2 NO - Normally open / 2 connections											
⁽²⁾	1,5	0,05	0,75	-0,7	2	2	-	5	11000005	11000009	
3/2 U - Universal / 3 connections											
⁽²⁾	1,5	0,05	0,75	-0,7	2	2	-	5	11000007	11000011	
3/2 U - Universal / 4 connections											
⁽²⁾	1,5	0,05	0,75	-0,7	2	2	-	5	11000008	11000012	

⁽²⁾ Hose connection to ID 1,5 mm flexible tubing.



PRINCIPLE OF OPERATION

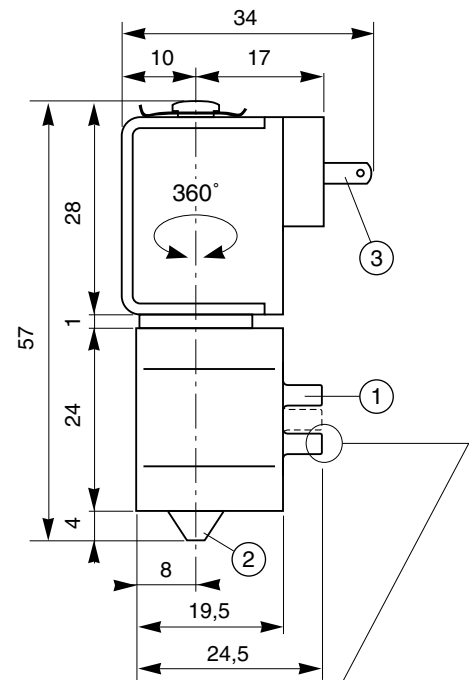
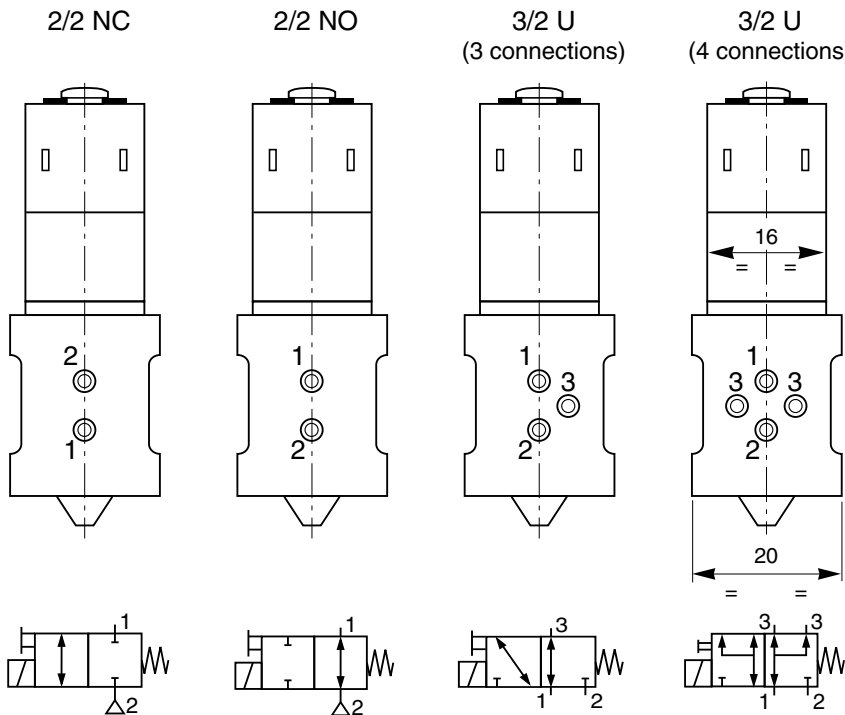


DIMENSIONS (mm), WEIGHT (kg)

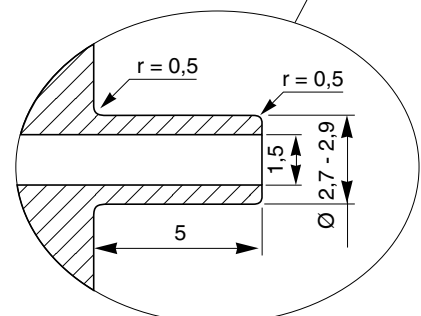
TYPE 01
Prefix "SC" Solenoid
DIN 43340

11000005..12

Scale: 1



- ① Hose bibs for connection of ID 1,5 mm flexible tubing
- ② Protected impulse type manual operator
- ③ Coil with two spade terminals 2,8 x 0,5 (DIN 46340)



type	prefix option	weight ⁽¹⁾
01	SC	0,46

⁽¹⁾ Incl. coil.

OPTIONS

- Stainless steel support plate for mounting between body and coil for:
 - 1 solenoid valve, catalogue number **88211001**
 - 2 solenoid valves, catalogue number **88211002**
 - 3 solenoid valves, catalogue number **88211003**
 - 4 solenoid valves, catalogue number **88211004**
 - 5 solenoid valves, catalogue number **88211005**
 - FPM (fluoroelastomer) diaphragm
- For more, contact us

INSTALLATION

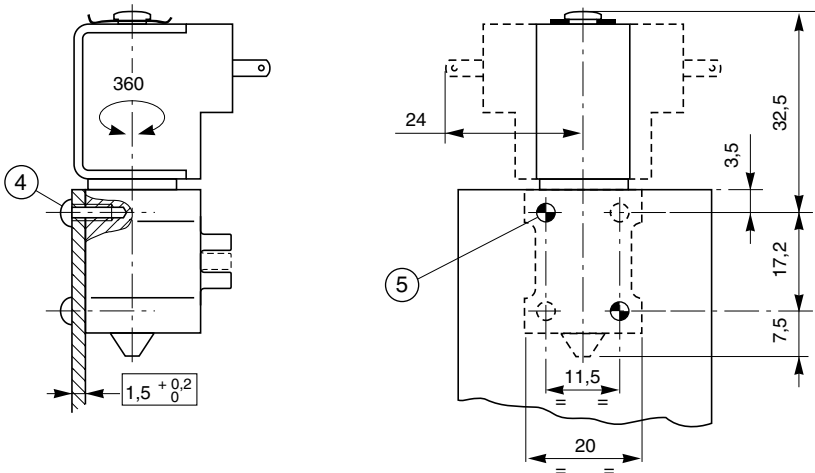
- The solenoid valves can be mounted in any position without affecting operation
- Rear or control support plate mounting possible (see below)
- Hose connection of flexible tubing Ø 1.5 mm ID
- Compact size and simple tubing (see following page)
- Replacement coil are available
- Installation/maintenance instructions are included with each valve

ORDERING EXAMPLES:

11000006	12V / DC
11000010	24V / DC
catalogue number _____	_____ voltage

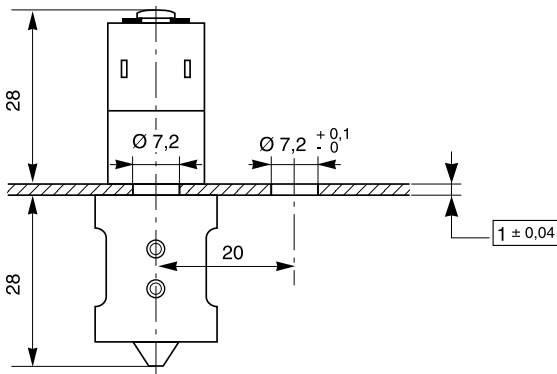
DIMENSIONS (mm), WEIGHT (kg)

REAR MOUNTING



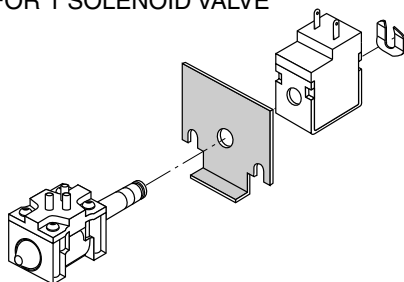
- ④ 2 self thread cutting «Torx» screws
K 22 x 6 - A2 stainless steel
(screws delivered)
- use these screws only
- use plate with correct thickness
- max. torque: 0,3 Nm
- ⑤ Two mounting holes 2.5 mm dia.
Solenoid valve body has four
holes for mounting purpose

SUPPORT PLATE MOUNTING (For solenoid valve of corresponding type)

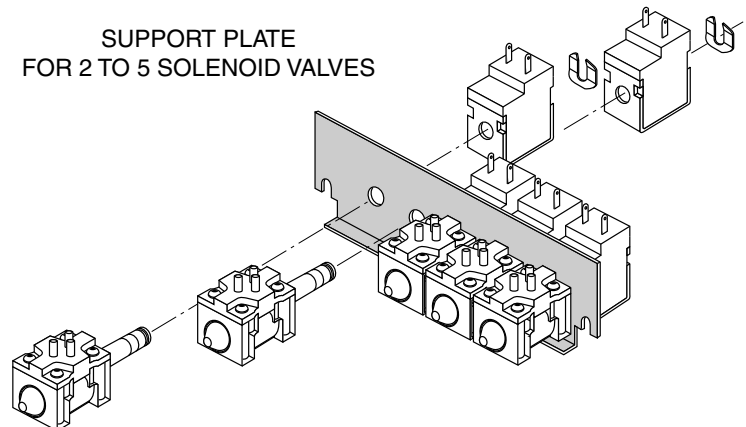


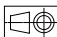
- The panel must be of non-magnetic material.
- To fit to panel, remove the clip and the solenoid valve coil and install as indicated below.

SUPPORT PLATE FOR 1 SOLENOID VALVE



SUPPORT PLATE FOR 2 TO 5 SOLENOID VALVES



DIMENSIONS (mm), WEIGHT (kg) 

SUPPORT PLATE FOR 1 TO 5 SOLENOID VALVES

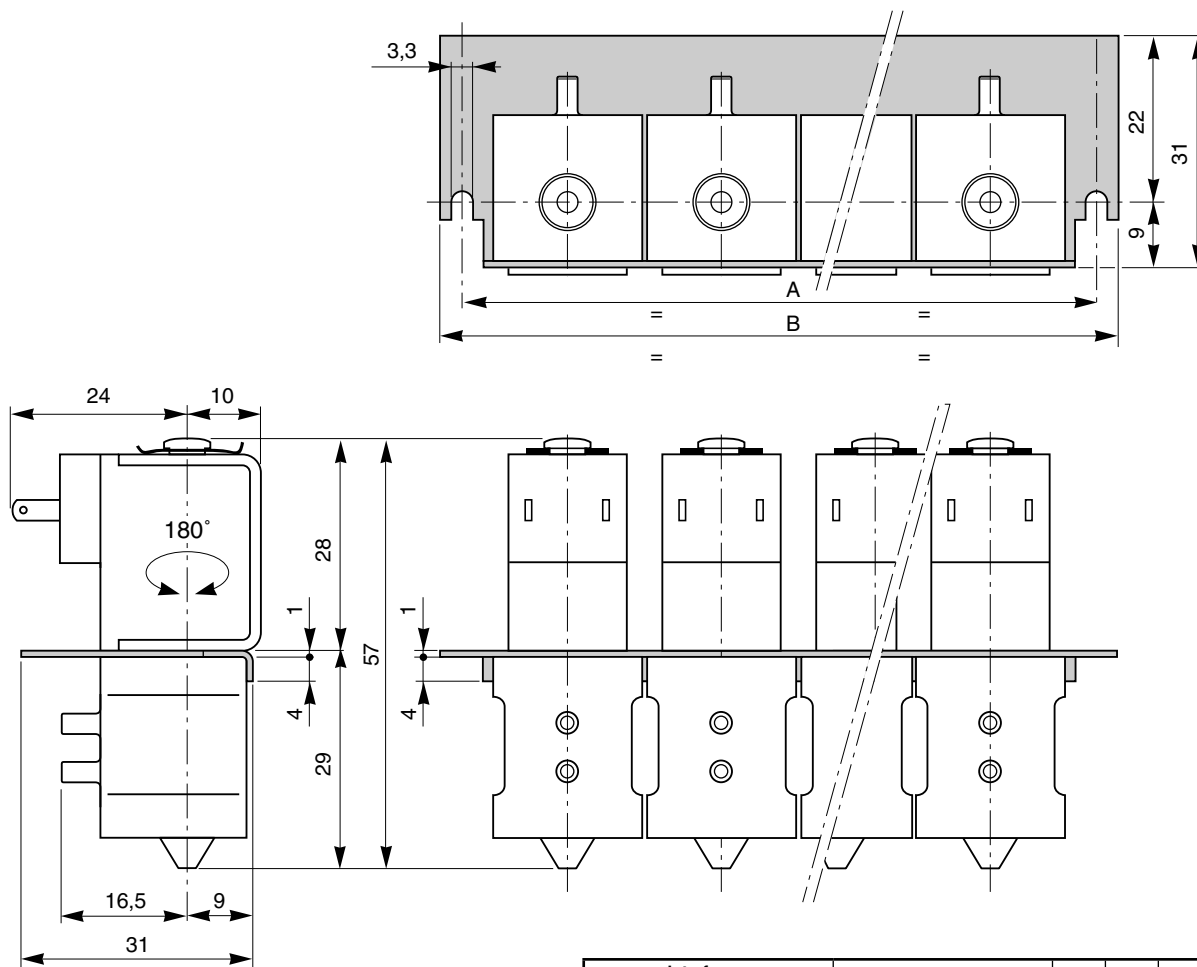


plate for «n» solenoid valves	plate catalogue number	A	B	weight ⁽¹⁾
1	88211001	31	40	0,1
2	88211002	51	60	0,15
3	88211003	72	80	0,2
4	88211004	92	100	0,25
5	88211005	113	121	0,3

⁽¹⁾ Plate only.

SIMPLE TUBING

When valves mounted side by side on a support plate, an area is left open so that tubes pass between valve bodies

