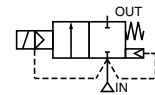




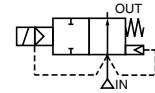
# SOLENOID VALVES

pilot operated, hung diaphragm  
for vacuum service  
1 to 2

NC



NO



2/2  
Series  
215

## FEATURES

- Special materials and handling procedures are used in the high vacuum valves to avoid molecular contamination
- The medium and high vacuum valves are mass spectrometer tested
- Aluminium bodied valves designed to provide maximum flow
- The valves are for the control of low pressure air and gases, compatible with the seal materials used
- The solenoid valves satisfy all relevant EC Directives

## GENERAL

**Differential pressure** 1 bar absolute [1 bar = 100 kPa]  
**Response time** 25 - 120 ms

fluids (*)	temperature range (TS)	seal materials (*)
air, inert gas	- 20°C to + 85°C	NBR (nitrile)
	- 20°C to + 90°C	FPM (fluoroelastomer)



## MATERIALS IN CONTACT WITH FLUID

(\*) Ensure that the compatibility of the fluids in contact with the materials is verified

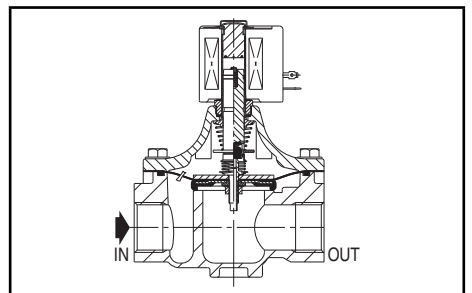
<b>Body</b>	Aluminium
<b>Core tube</b>	Stainless steel
<b>Core and plugnut</b>	Stainless steel
<b>Springs</b>	Stainless steel
<b>Seat</b>	Aluminium
<b>Seals, diaphragm &amp; disc</b>	NBR or FPM
<b>Disc holder (NO function)</b>	PA
<b>Core guide</b>	POM
<b>Rider rings</b>	PTFE
<b>Shading coil</b>	Copper

## ELECTRICAL CHARACTERISTICS

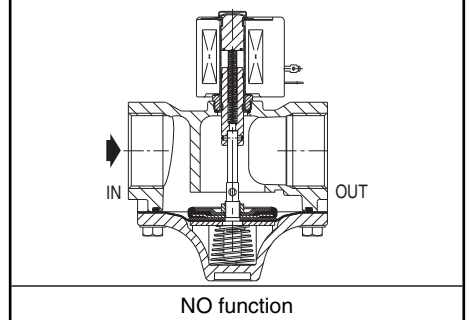
**Coil insulation class** F  
**Connector** Spade plug (cable Ø 6-10 mm)  
**Connector specification** ISO 4400 / EN 175301-803, form A  
**Electrical safety** IEC 335  
**Electrical enclosure protection** Moulded IP65 (EN 60529)  
**Standard voltages** DC (=) : -  
(Other voltages and 60 Hz on request) AC (~) : 24V - 48V - 115V - 230V / 50 Hz

prefix option	power ratings				operator ambient temperature range (TS) (C°)	replacement coil		type <sup>(1)</sup>	
	inrush ~	holding ~	hot/cold =	~		=			
	(VA)	(VA)	(W)	(W)		(W)			
SC	110	33,6	15,4	-	-20 to + 75	230 V/50 Hz	400525-117	-	01

<sup>(1)</sup> Refer to the dimensional drawings on the following page.



NC function



NO function

## SPECIFICATIONS

pipe size	orifice size	flow coefficient Kv		minimum absolute vacuum pressure (PS)	power coil (W)	catalogue number		
						NC Normally closed	NO Normally open	
Rp	(mm)	(m³/h)	(l/min)	air (*) mbar (Torr)	~		~	
<b>Low vacuum range to 25 Torr, NBR seals</b>								
1	41	18	300	33,3 (25)	15,4	-	SCE215B050	SCE215C053
1 1/4	41	27	450	33,3 (25)	15,4	-	SCE215B060	SCE215C063
1 1/2	41	30	500	33,3 (25)	15,4	-	SCE215B070	SCE215C073
2	53	50	833	33,3 (25)	15,4	-	SCE215B080	SCE215C083
<b>Medium vacuum range to 10<sup>-3</sup> Torr, NBR seals</b>								
1	41	18	300	1,33.10 <sup>-3</sup> (10 <sup>-3</sup> )	15,4	-	SCE215B050VM	SCE215C053VM
1 1/4	41	27	450	1,33.10 <sup>-3</sup> (10 <sup>-3</sup> )	15,4	-	SCE215B060VM	SCE215C063VM
1 1/2	41	30	500	1,33.10 <sup>-3</sup> (10 <sup>-3</sup> )	15,4	-	SCE215B070VM	SCE215C073VM
2	53	50	833	1,33.10 <sup>-3</sup> (10 <sup>-3</sup> )	15,4	-	SCE215B080VM	SCE215C083VM
<b>High vacuum range to 10<sup>-6</sup> Torr, FPM seals</b>								
1	41	18	300	1,33.10 <sup>-6</sup> (10 <sup>-6</sup> )	15,4	-	SCE215B050VH	SCE215C053VH
1 1/4	41	27	450	1,33.10 <sup>-6</sup> (10 <sup>-6</sup> )	15,4	-	SCE215B060VH	SCE215C063VH
1 1/2	41	30	500	1,33.10 <sup>-6</sup> (10 <sup>-6</sup> )	15,4	-	SCE215B070VH	SCE215C073VH
2	53	50	833	1,33.10 <sup>-6</sup> (10 <sup>-6</sup> )	15,4	-	SCE215B080VH	SCE215C083VH

00170GB-2006/R01  
Availability, design and specifications are subject to change without notice. All rights reserved.

### OPTIONS

- Waterproof enclosure with embedded screw terminal coil according to protection class IP67, CEE-10
- Explosionproof enclosures for use in zones 1/21-2/22, categories 2-3 to ATEX Directive 94/9/EC (see "Explosionproof solenoids" section)
- Electrical enclosures according to "NEMA" standards are available
- Compliance with "UL", "CSA" and other local approvals available on request
- Other pipe connections are available on request
- Plug with visual indication and peak voltage suppression or with cable length of 2m (see Solenoids, Coils & Accessories section)

### INSTALLATION

- The solenoid valves can be mounted in any position without affecting operation
- Pipe connection identifier is E = Rp (ISO 7/1)
- Installation/maintenance instructions are included with each valve

### SPARE PARTS KITS & ACCESSORIES

catalogue number	spare parts kit n°.	
	~	-
SCE215B050/B060/B070	<b>C302352</b>	-
SCE215B080	<b>C302353</b>	-
SCE215C053/C063/C073	<b>C304691</b>	-
SCE215C083	<b>C304692</b>	-

(1) Standard suffixes are also applicable to kits.

### ORDERING EXAMPLES / VALVES:

SC	E	215	B	060	230V / 50 Hz
SC	E	215	B	070	VM 115V / 50 Hz
SC	E	215	C	053	VM 24V / 50 Hz
SC	E	215	C	073	VH 230V / 50 Hz

prefix — pipe thread — basic number — voltage — suffix

### ORDERING EXAMPLES / KITS:

C302352 <sup>(1)</sup>	VM
C302352	VH
C302352	VH

basic number — suffix



#### TYPE 01

Prefix "SC" Solenoid  
Epoxy moulded  
IEC 335 / ISO 4400  
IP65

SCE215B050/B060/B070/B080

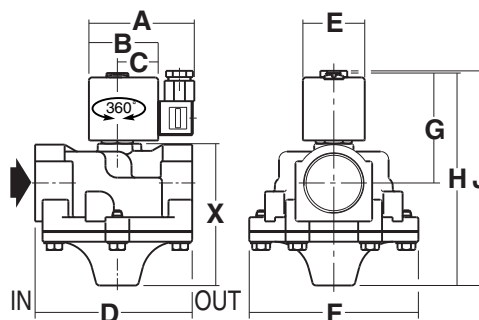
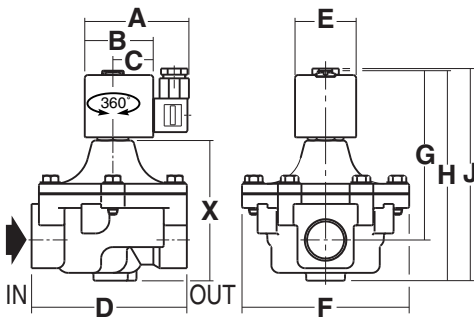
SCE215B050VM/B060VM/B070VM/B080VM

SCE215B050VH/B060VH/B070VH/B080VMH

SCE215C053/C063/C073/C083

SCE215C053VM/C063VM/C073VM/C083VM

SCE215C053VH/C063VH/C073VH/C083VH



type	prefix option	catalogue number	A	B	C	D	E	F	G	H	J	X	weight <sup>(2)</sup>
01	SC	SCE215B050/B060/B070	86	56	33	127	50	137	140	171	172	221	1,8
		B050VM/B060VM/B070VM/ B050VH/B060VH/B070VH											
		SCE215B080/B080VM/B080VH											
		SCE215C053/C063/C073/ C053VM/C063VM/C073VM/ C053VH/C063VH/C073VH											
		SCE215C083/C083VM/C083VH											

<sup>(2)</sup> including coil and connector.

All leaflets are available on: [www.asconumatics.eu](http://www.asconumatics.eu)