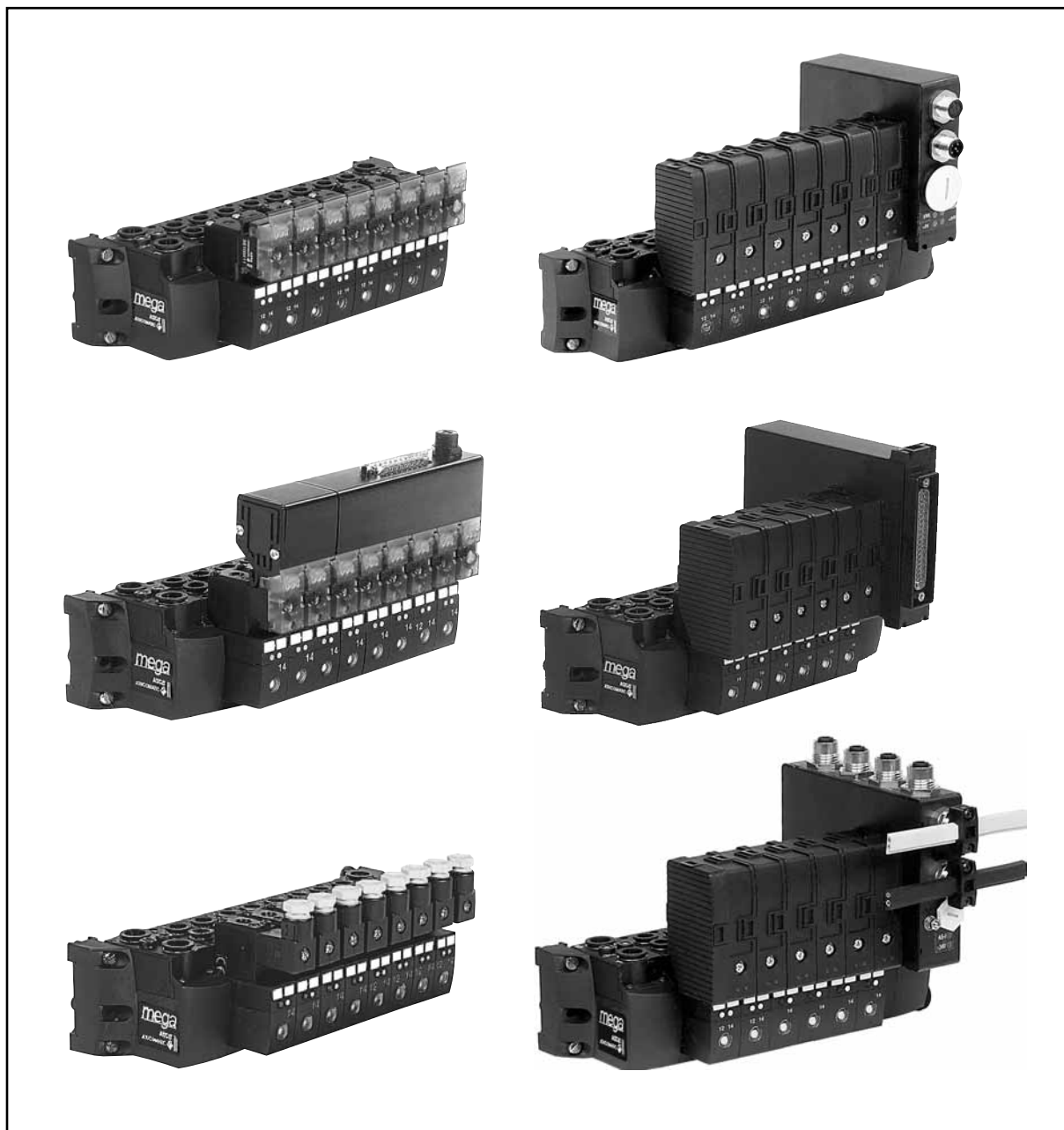


Pneumatic spool valve islands

mega



F

P575.GB.R5b

MEGA SPOOL VALVE ISLANDS

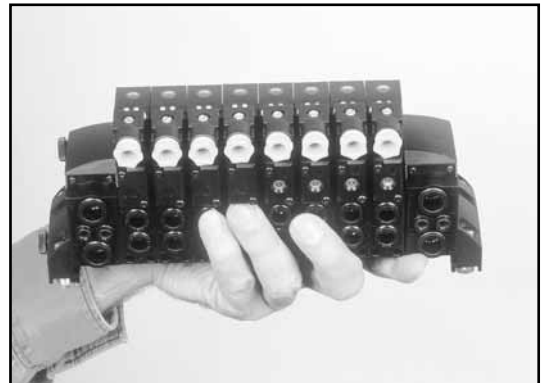
MEGA pneumatic spool valve islands offer maximum performance along with flexibility, easy installation and simple operation.

Due to their design, MEGA spool valve islands' dimensions are optimised and identical, whatever the spool valves' function - and that at a flow rate of 900 l/min.

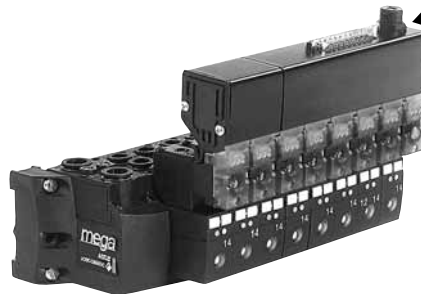
The different types of electrical connections offered provide a solution for every type of installation:

- cabinet installation for IP20 versions with connector size 15 or Multipol,
- direct incorporation in a machine for IP65 versions with connector size 15 or Multipol,
- fieldbus control for AS-interface and Profibus-DP versions.

The high performance and great variety of MEGA islands meet the requirements for automated installations in the assembly, packaging, food processing, automobile, textile, pharmaceutical and valve piloting etc.



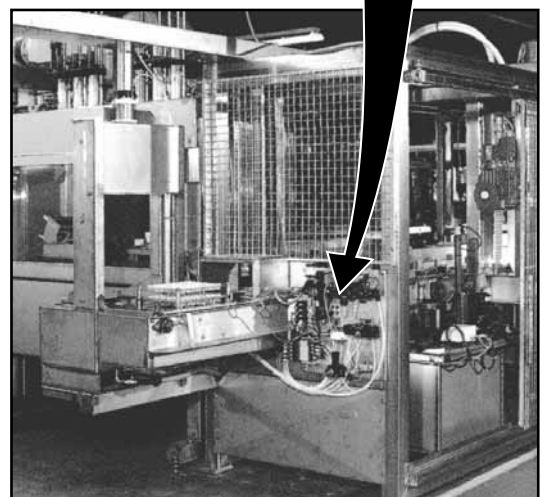
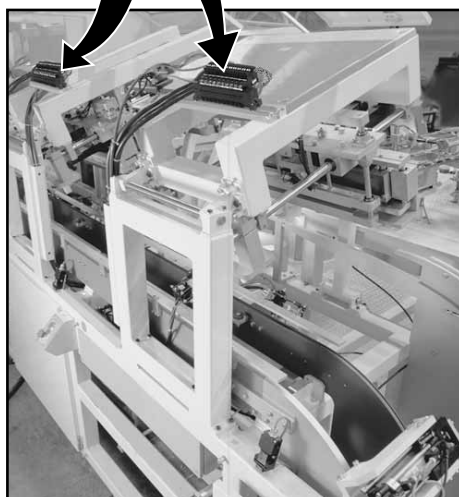
MEGA Profibus-DP spool valve island



MEGA Multipol-IP20 spool valve island



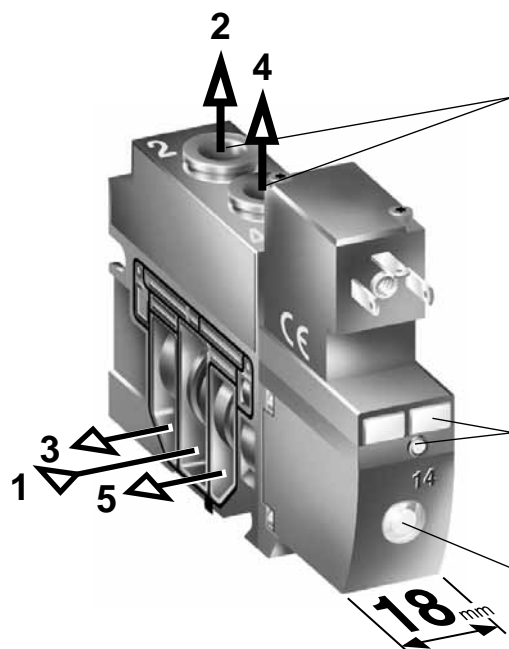
MEGA Multipol-IP65 spool valve island



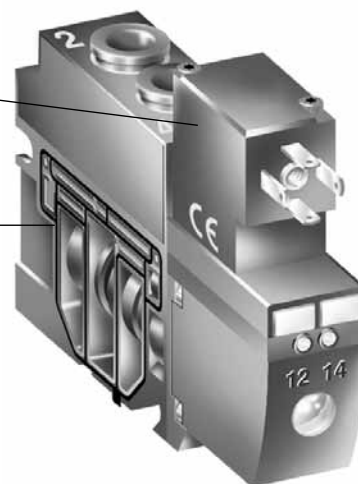
The MEGA solenoid air operated spool valve

ASCO/JOUCOMATIC offers a concept of solenoid air operated spool valves which can be fitted together to form islands. Due to its new patented design, the MEGA spool valve's major advantages are its reduced size, optimal performance and modular structure. It offers simple operation, as well as diagnostic analysis and maintenance features.

Monostable spool valve



Bistable spool valve (with integral twin pilot)



Reduced time for cabling

Outlets with instant fittings for flexible hose O.D 6 or 8 mm.

Small size

Integral twin pilot with low power coil (1.5 W)
Same size as monostable valve

Flexibility

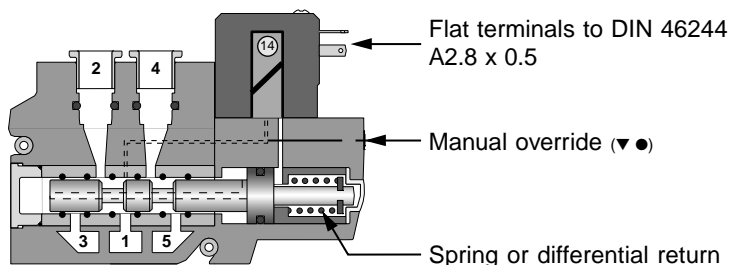
Selector sealing for internal or external pilot pressure supply

Operating assistance

ID labels
Impulse-type or locking push/turn-type manual override

Visual indication

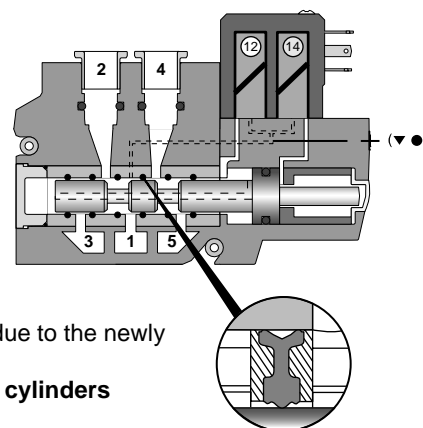
Indication of spool position



Flat terminals to DIN 46244
A2.8 x 0.5

Manual override (▼●)

Spring or differential return



The spool valve's high flow rate of **900 l/min.** as compared to its low volume is obtained due to the newly designed, small-sized multifunctional seal with oscillating effect.

The MEGA's excellent performance ratings allow for supplying pressure to **all types of cylinders**

- with barrels of **up to 80 mm** for standard applications, or
- with barrels of **125 mm** for speeds of 200 to 350 mm/sec.

RANGE OF MEGA SPOOL VALVES

- Air or solenoid air operated versions
- 2 x 3/2 NC, 5/2 and 5/3 versions (all of the same size)
- Monostable or bistable function

For characteristics and codes see page 6

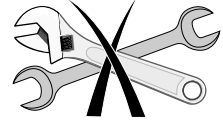
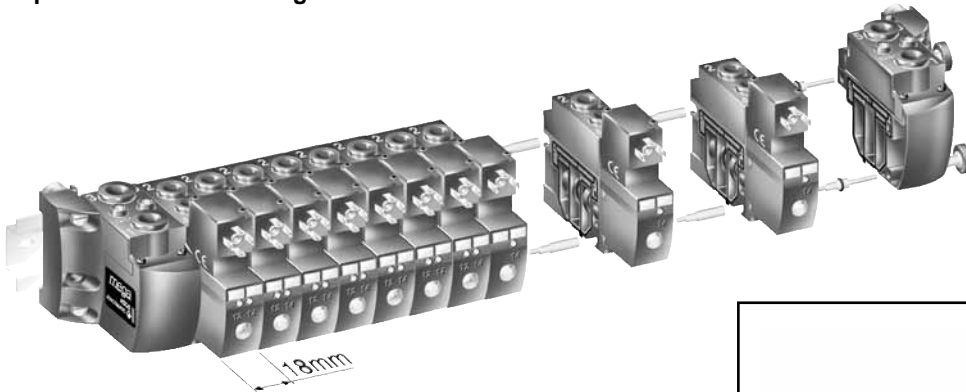
2 x 3/2 NC monostable (spring return)	5/2 monostable (spring return)	5/2 monostable (differential return)	5/2 bistable	5/3 centre closed (W1)	5/3 centre open to pressure (W2)	5/3 centre open to exhaust (W3)
Type: K	Type: S	Type: M	Type: J	Type: G	Type: B	Type: E

For summary of spool valve island versions see page 5 ►

All leaflets available on: www.ascojoucomatic.com

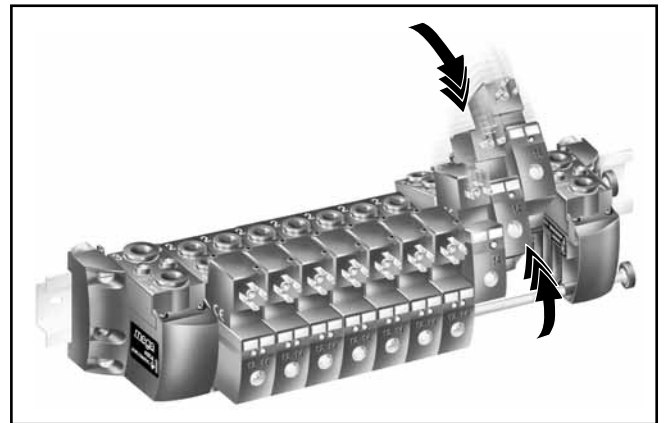
MODULAR DESIGN

MEGA spool valve islands: functional, modular units which are adapted to your needs and save time with quick and easy assembly without tools. The islands are delivered either pre-assembled, tested and ready for installation, or in individual components to be fitted together on-site.



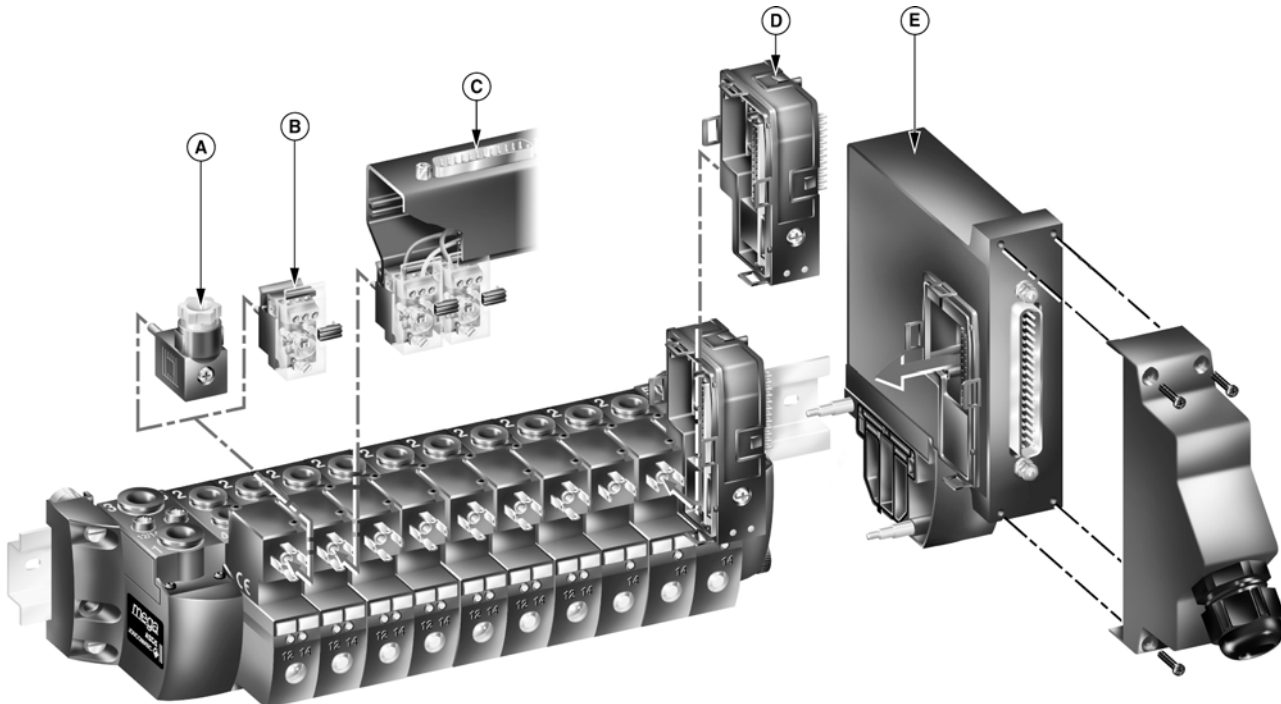
The product's design offers various possibilities to assemble MEGA islands:

- 16 spool valves at maximum (for more, consult us).
- Mixture of all types of spool valves and connection sizes (O.D. 6 mm and 8 mm).
- Internal or external pilot pressure supply.
- Accessory intermediate pressure modules to supply the island with more than one pressure level including vacuum.
- On-site extension due to easy assembly: every spool valve and accessory is supplied with 2 connecting bolts.



CHOICE OF ELECTRICAL CONNECTION

With the MEGA spool valve island you can choose between different types of connectors and electrical connection modules.



- (A) Individual connection with connectors size 15 – IP65
- (B) Individual connection with connectors size 15 – IP20
- (C) Multiwire MULTIPOL connection – IP20

- (D) Interconnection module for MULTIPOL-IP65 and AS interface
- (E) Connection module for MULTIPOL-IP65, PROFIBUS-DP or AS interface protocol (MULTIPOL-IP65 showing)

The versions shown opposite can be assembled with these components.

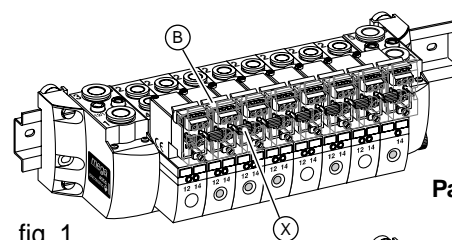
COMBINATIONS

MEGA spool valve islands are available in different versions to meet the needs of the most varied of systems no matter if IP20 protection is required for installation in a cabinet or IP65 protection for direct incorporation in a machine either with single standard connector coupling, multiwire cable connection or field bus control.

INDIVIDUAL CONNECTORS

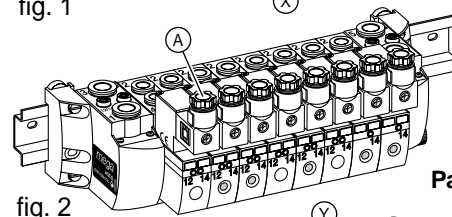
Connectors size 15 available in the following versions:

- **IP20 rated connectors** (fig. 1) with integral LED and peak voltage suppression, screw terminals for installation in a cabinet. Partially integrated connection system as the common power supply for all solenoid pilots is established with jumpers (X) between each connector.



Page 11

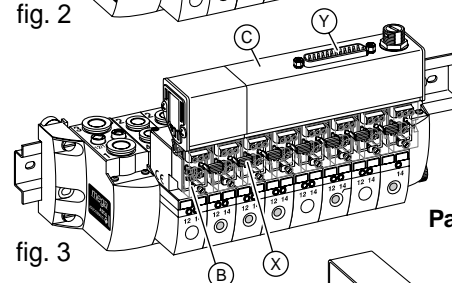
- **IP65 rated connectors** (fig. 2). Standard version with cable gland for cables with max. 6 mm O.D. or with cable ends with or without integral LED and peak voltage suppression.



Page 11

MULTIWIRE CONNECTOR: MULTIPOL IP20 (fig. 3)

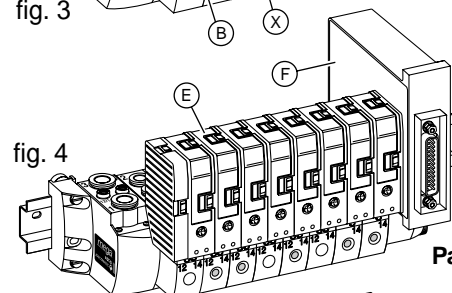
MULTIPOL (C) allows the connection to a control system (PLC) with a multiwire cable and the connection to an island with a 25 or 37 pin SUB-D connector (Y). Versions with connectors size 15 – IP20 (B) and jumpers (X) (similar to above mentioned IP20 version) + cable trough and internal connection wires are available.



Page 15

MULTIWIRE CONNECTOR: MULTIPOL IP65 (fig. 4)

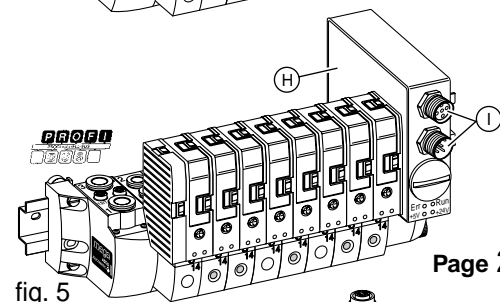
IP65 version of connector described above. IP65 protection allows for direct incorporation of the island into a machine. The island is supplied with interconnection modules (E) and a connection module (F). The cable and waterproof IP65 housing are available as accessories.



Page 19

PROFIBUS-DP PROTOCOL (fig. 5)

Pneumatic spool valve island for data exchange via field bus and Profibus-DP protocol. The Profibus (H) module allows to control up to 16 bistable spool valves. Easy Profibus-DP cable connection with M12 connectors (I).

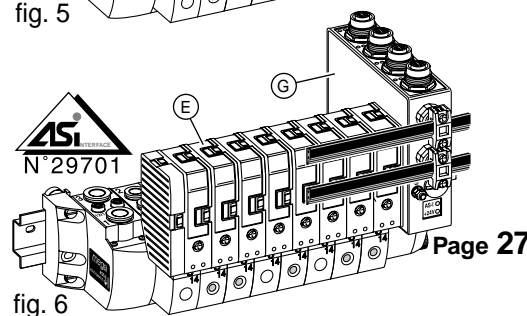


Page 23

AS INTERFACE PROTOCOL (fig. 6)

Pneumatic spool valve island for the transmission of data with a standard AS interface protocol. This protocol uses a simple vampire-type connector for instant connection of flat profiled cables.

Together with the interconnection modules (E), the AS-Interface module (G) with or without M12 sensor inputs allows to control 8 monostable or 4 bistable spool valves. An island can be provided with 1, 2 or 3 AS-Interface units.



Page 27

JOINABLE SOLENOID AIR OPERATED MEGA SPOOL VALVES

FEATURES

- Space saving due to new patented design and integral twin pilot.
- High flow rate, reduced dimensions.
- Low power consumption.
- Quick installation and easy maintenance with visual indication of the spool position, identification and reference labels as well as manual override.
- Low weight for block installation.

GENERAL

Fluid Air or neutral gas, filtered at 30µm, lubricated or not
Operating pressure -0.95 to 8 bar (with external supply)
 3 to 8 bar (with internal supply)
Ambient temperature -10°C to +50°C

Connection

- Spool valve (ports 2 - 4) instant fittings for flexible hose 6 or 8 mm O.D.
- End covers (ports 1 - 3 - 5) G1/4 thread or instant fittings 10 mm O.D.

Flow (Qv at 6 bar)

see table below

Function

2x3/2 NC, monostable or bistable 5/2, 5/3

Pilot control

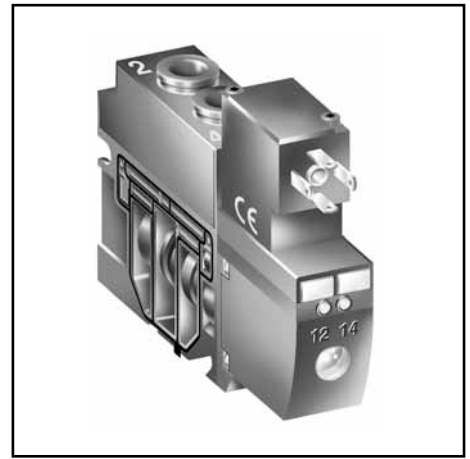
solenoid air operated with internal or external pressure supply

Pilot pressure

2 or 3 bar to 8 bar (see table below)

Vibration fatigue limit

to EN 60068-2-6 standard



CONSTRUCTION

Body and end covers glass-fibre reinforced synthetic material

Internal parts aluminium, stainless steel, zinc-plated steel, brass and synthetic material.

Seals NBR (nitrile) and PUR (polyurethane)

Manual operator Impulse-type or locking push/turn-type

Internal or external pilot pressure supply by selecting seal

Integral electrical pilot to NFC79300 (VDE 0580).

Encapsulated coil with flat terminals to DIN 46244 A 2.8 x 0.5 (spacing : 9.4 mm).

The bistable version is provided with an integral twin pilot placed on one side of the valve with a single electrical connector for reduced dimensions.

ELECTRICAL CHARACTERISTICS

voltage (*)	insulation class	protection degree	spool valve	consumption	electrical connection
24 V DC	F	IP 65	monostable	1.6 W	2 flat terminals + earth
			bistable	1.5 W	3 flat terminals + earth

(*) Monostable version, in alternative current, available

SPECIFICATIONS

type	function symbol	operators		flow at 6 bar (l/min) (ANR)	pilot pressure (bar)	(M)	catalogue number (24 V DC) spool valve without connector ports 2-4 with instant fittings 6mm O.D. 8mm O.D.	
		pilot (14)	return (12)					
K	2x3/2 NC	Solenoid air	Spring	450	4...8	▼	57800041	57800013
							●	57800042
S	5/2	Solenoid air	Spring	900 (550)	3...8	▼	57800030	57800002
							●	57800036
M	5/2	Solenoid air	Differential	900 (550)	3...8	▼	57800031	57800003
							●	57800037
J	5/2	Solenoid air	Solenoid air	900 (550)	2...8	▼	57800029	57800001
							●	57800035
G	5/3	Centre closed W1 solenoid air operated		600 (550)	3...8	▼	57800032	57800004
		●	57800038				57800010	
B	5/3	Centre open to pressure W2 solenoid air operated		700 (550)	3...8	▼	57800033	57800005
		●	57800039				57800011	
E	5/3	Centre open to exhaust W3 solenoid air operated		750 (550)	3...8	▼	57800034	57800006
		●	57800040				57800012	

(M) Manual override

▼ : impulse-type ● : locking, push/turn-type

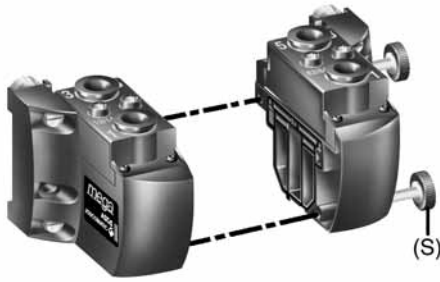
(550) : Max. flow rate of 550l/min for the version with instant fittings for flexible hose O.D. 6mm.

For air operated version see P458

ACCESSORIES FOR ISLAND ASSEMBLY see following pages

All leaflets available on: www.ascojoucomatic.com

END COVERS



The end covers assure the following functions:

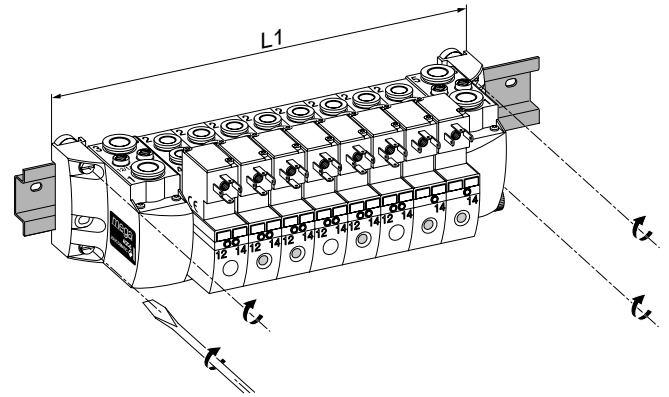
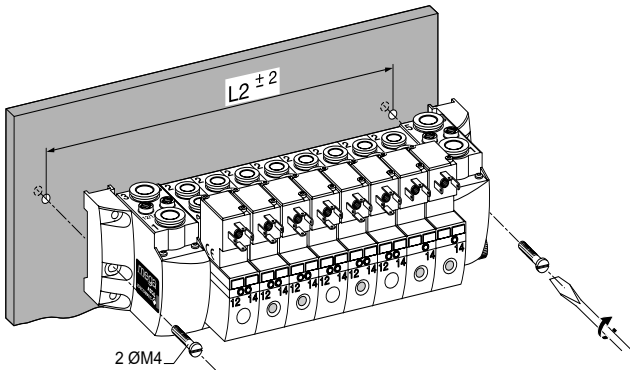
- **Island assembly:** the bolts are fixed into the covers. The island is tightened by hand with the knurled screws (S). There is no need for tools.
- **Choice of island mounting:**
 - on machine frame (2 Ø 4.2),
 - on DIN EN 50022 rail (for cabinet installation).
- **Pneumatic connection** of the channelled ports of the island (1 – 3/5 – 12/14 etc.)

■ Island assembly (see page 4)

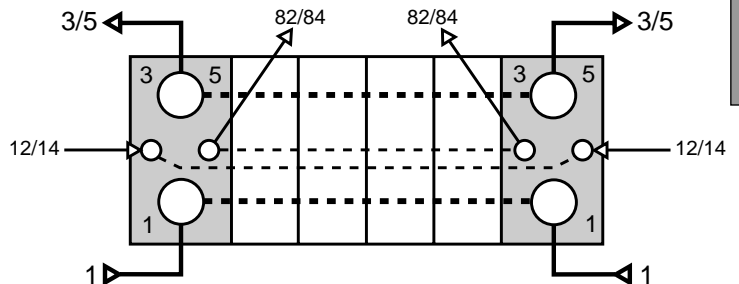
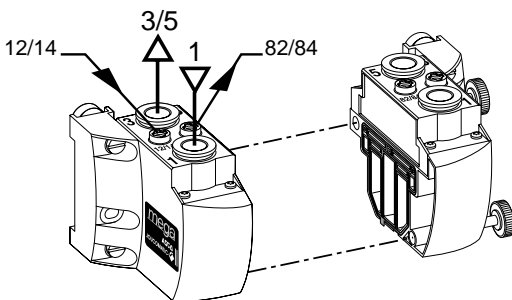
■ Choice of island mounting

On machine frame

On DIN EN 50022 rail



■ Pneumatic connection



port nos.	connection size	
	Type: Q	Type: G
1	Instant fittings for flexible hose Ø 10mm O.D.	G1/4
3/5		
12/14	Instant fittings for flexible hose Ø 4mm O.D.	M5
82/84		

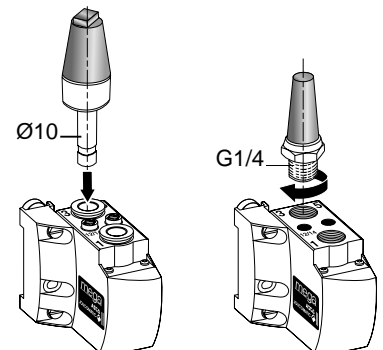
- Port 1 : Pressure supply for island
- Port 3/5 : Exhausts 3 and 5 channelled and connectable
- Port 12/14 : **External** pilot pressure supply. Necessary for use with vacuum or if the general supply pressure is below 3 bar.
- Port 82/84 : Channelling and connection of the pilot exhausts for installation of the island in protected environments (food-processing industries, laboratories etc.)

Possibility of direct connection of a silencer to each exhaust 3/5

■ Order codes for end covers

description	port connections 1 - 3/5 (*)	type	catalogue number
1 set of 2 end covers for islands for frame mounting	Instant fittings for 10mm O.D. hose	Q	88157901
	G1/4 thread	G	88157903
1 set of 2 end covers for islands for DIN rail mounting	Instant fittings for 10mm O.D. hose	Q	88157859
	G1/4 thread	G	88157861

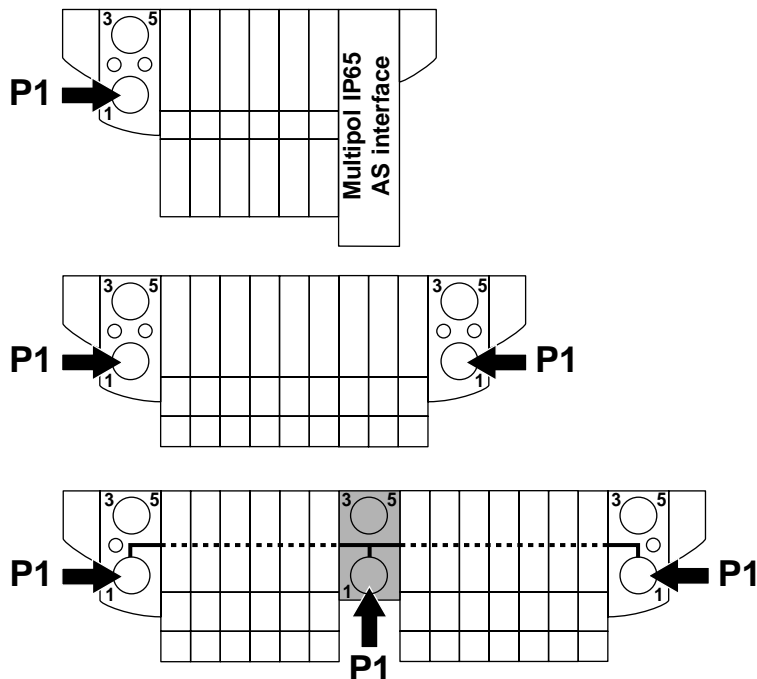
(*) For port connections 12/14 and 82/84 see above table



SUPPLY WITH 1, 2 OR 3 DIFFERENT PRESSURES

A MEGA island is especially designed to be supplied with more than one pressure level.

Supply with 1 pressure (P1)



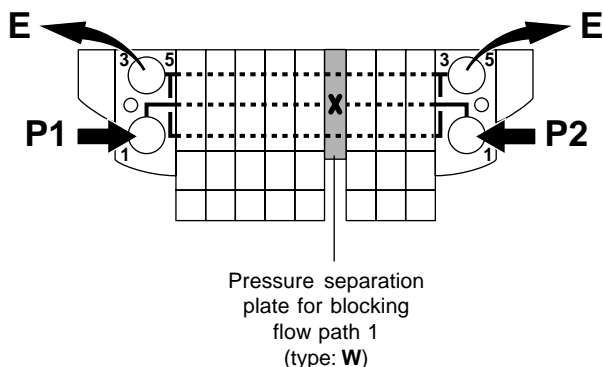
- Multipol IP65 islands and AS interface islands with 8 spool valves at maximum are provided with a **single** standard end cover on the left side for pressure supply. The islands can be equipped with 2 end covers for pressure supply from the left and/or right side (see definition tables for the two versions). An island with more than 8 spool valves is provided with 2 end covers.
- All other island versions are provided with 2 end covers for choice of pressure supply side. For more than 8 spool valves or for simultaneous operation of 5 spool valves, the unit must be supplied with pressure from both sides.

- Units with more than 12 spool valves must be supplied with pressure from three sides using an intermediate pressure supply module which should be placed in the middle.

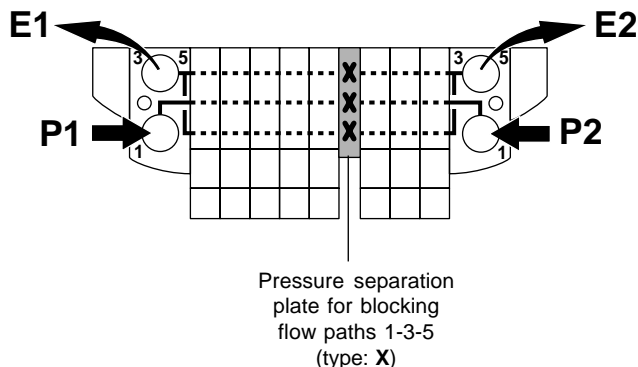
Supply with 2 different pressures (P1-P2)

A pressure separation plate must be used (see different types)

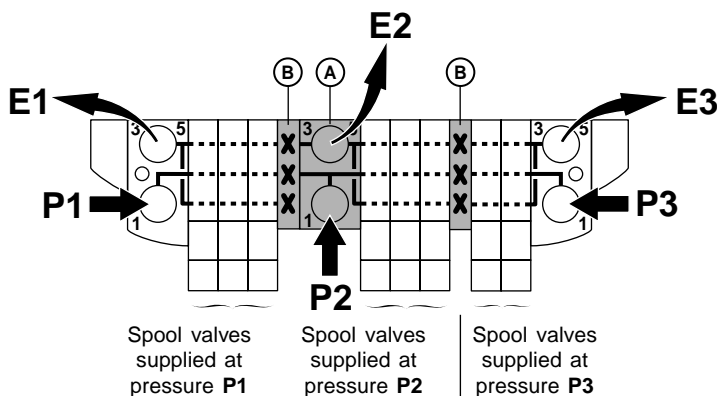
- Supply with 2 different pressures with **common** exhausts



- Supply with 2 different pressures with **separate** exhausts



Supply with 3 different pressures (P1-P2-P3)

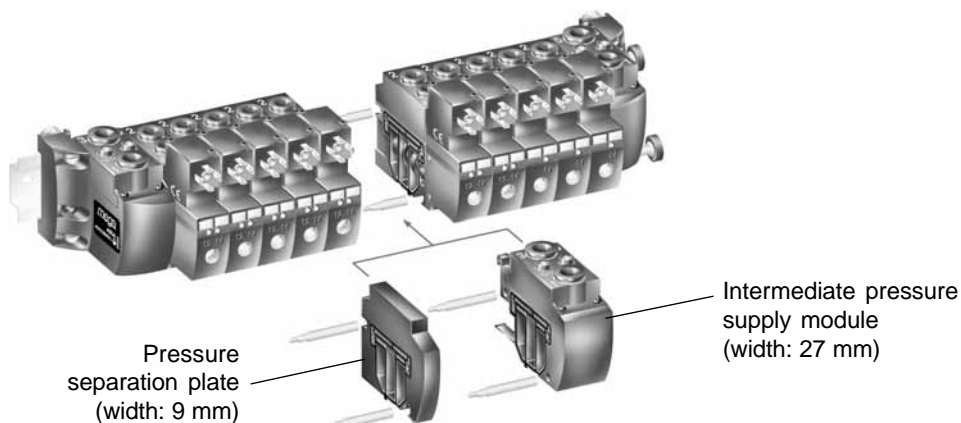


For this configuration use:

- 1 intermediate pressure supply module (A).
- 2 pressure separation plates (B). Choose between the following versions:
 - Ports 1 – 3 – 5 blocked to separate off the exhausts (type X).
 - Port 1 blocked to channel the exhaust of the whole island (type W).

PRESSURE SEPARATION PLATE AND INTERMEDIATE PRESSURE SUPPLY MODULE

To obtain the configurations described on the opposite page, these accessories must be incorporated in the right order.



STANDARD VERSIONS FOR ISLANDS WITH CONNECTORS SIZE 15, MULTIPOL – IP20 AND VCS

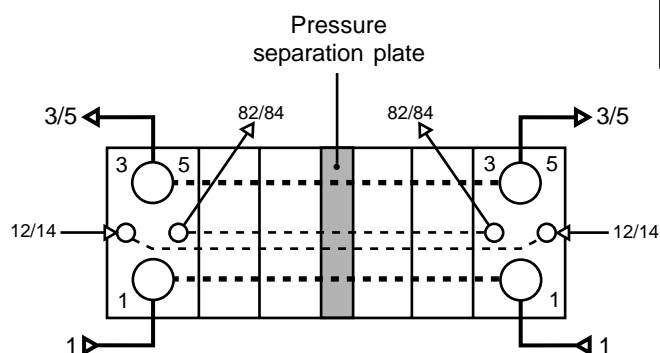
		description	type	catalogue number
	Intermediate pressure supply module	Ports 1 and 3 / 5 with instant fittings 10 mm O.D. (1)	D	88157819
		Ports 1 and 3 / 5 with G1/4 thread (1)	D	88157821
	Pressure separation plate	Total blocking of ports 1 - 3 - 5 (no connection)	X	88157815
		Blocking of ports 3 - 5 (port 1 connection maintained)	Y	88157817
		Blocking of port 1 (ports 3 and 5 connections maintained)	W	88157816
		No blocking (ports 1, 3 and 5 connections maintained)	V	88157818
		Blocking of port 5 (ports 1 and 3 connection maintained)	T	88157964
		Blocking of port 3 (ports 1 and 5 connections maintained)	R	88157965

(1) An exhaust silencer can be mounted to port 3 / 5 (see following page)

Construction details of pressure separation plate

catalogue number	type	flow path				
		1	3	5	12/14	82/84
88157815	X	*	*	*	*	∇
88157817	Y	∇	*	*	∇	∇
88157816	W	*	∇	∇	*	∇
88157818	V	∇	∇	∇	∇	∇
88157964	T	∇	∇	*	∇	∇
88157965	Z	∇	*	∇	∇	∇

* : blocked ∇ : remains opened



Port 1 : pressure supply
 Port 3/5 : exhausts 3 and 5
 Ports 12/14 : external pilot pressure supply
 Ports 82/84 : connection of exhausts of pilot loop

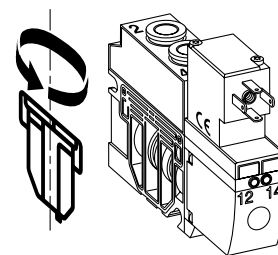
SPECIAL VERSIONS FOR MULTIPOL – IP65 ISLANDS, PROFIBUS-DP AND AS-INTERFACE ISLANDS

These islands require specific units consisting of a pressure separation plate and an intermediate pressure supply module to ensure that the electrical supply between the interconnection modules (E) and the different accessories is maintained (see pages 5 and 41).

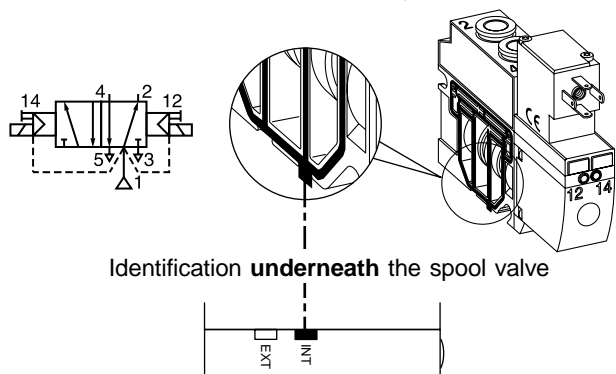
PRESSURE SUPPLY OF PILOT VALVES

A MEGA spool valve is equipped on one side with a spacer sealing which also provides for a selecting function:

- The spool valve can be adapted to either internal or external pilot pressure supply simply by rotating this sealing.
- The position selected for each spool valve can be **identified from the outside** even after the spool valves have been assembled to islands.
- **Internal and external** pressure supply can be mixed on one island.
- If the components are supplied separately, the spool valves are delivered with the sealing placed in internal pressure supply.

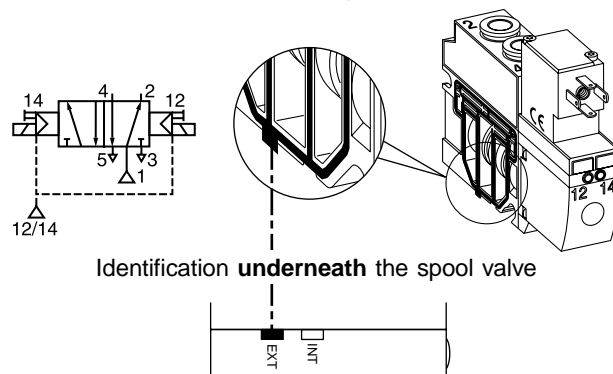


Internal pressure supply to pilot valves



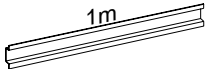


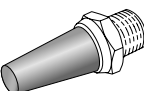
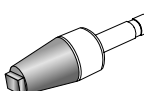
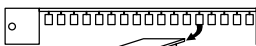
In this configuration:
The pilot valves are directly supplied with pressure by using the supply pressure (1) in the middle of the spool valve.
The common pressure supply (spool valve and pilot valves) is 3 to 8 bar (2 to 8 bar with bistable 5/2 spool valves).

External pressure supply to pilot valves



In this configuration:
- The spool valves on an island can be supplied with low pressure and vacuum.
- The pilots and the spool valves on an island can be supplied with pressure over 2 **separate** lines.
Supply pressure of pilot valves: 3 to 8 bar (2 to 8 bar with bistable 5/2 spool valves)
Supply pressure of spool valves: -0.950 bar to +8 bar.
Connection of pilot pressure supply 12/14 at either one of the 2 end covers.

MOUNTING AND PNEUMATIC ACCESSORIES

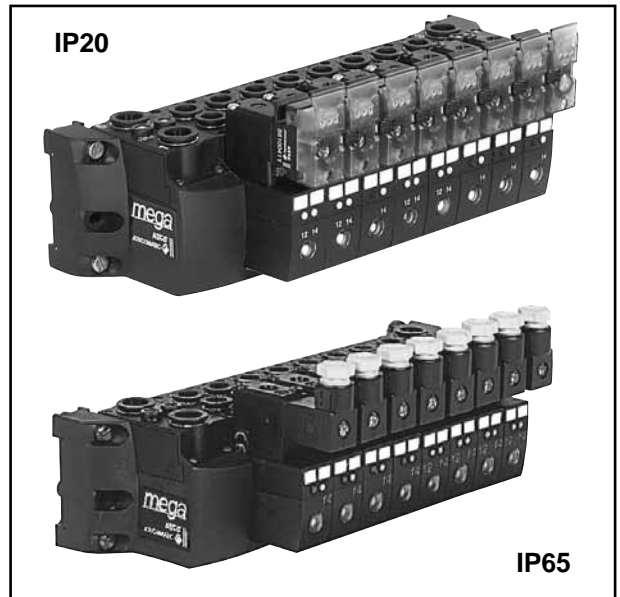
accessory	description	catalogue number
 1m	DIN EN50022 rail	1 m 88157858
		5 x 1 m 33400033
 x10	Set of 10 connecting bolts 18 mm long (for 5 spool valves) (Note: Each spool valve is delivered with connecting bolts)	88157893
 x10	Set of 10 instant reducing fittings 8 / 6 mm O.D. (1)	88157887
	Exhaust silencer, male thread (2)	Plastic body 34600407
		Sintered bronze body 34600002
	Sintered bronze exhaust silencer for direct mounting to ports with instant fittings 10 mm O.D. (3)	88157826
	Set of 17 clip-on ID labels for spool valves and VCS connectors (Note: each component is supplied with 2 ID labels at delivery)	88157851

- (1) For mounting to ports 2 – 4 of spool valves with 8 mm O.D. instant fittings for 6 mm O.D. flexible tube
(2) Exhaust silencer for ports 3/5 of G1/4 threaded end covers (see page 7)
(3) Exhaust silencer for ports 3/5 of end covers with instant fittings 10 mm O.D. (see page 7)

- Spool valve island with connectors with IP20 protection for installation in cabinets or with IP65 protection for direct mounting on machines.
- Compact, high performance unit.
- Easy operation.
- Modular design for on-site extension.
- Assistance for diagnostic analysis and maintenance due to visual indication of spool position, LED, reference and identification labels, and manual override.

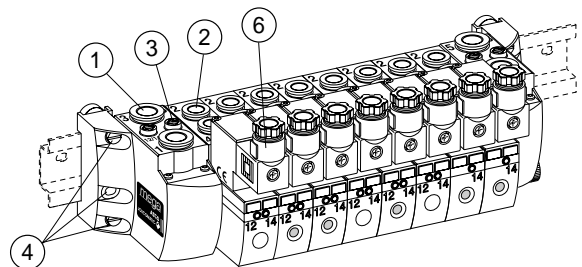
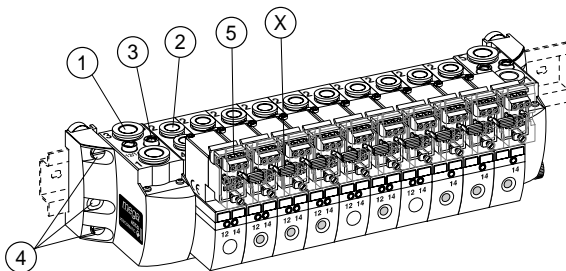
COMBINATIONS

- Modules with up to 16 MEGA spool valves (22 spool valves on request) for frame or DIN EN50022 rail mounting can be grouped together.
- Optional mixing of:
 - all spool valve functions,
 - 6 or 8 mm O.D. instant fittings.
 - Different types of manual override: impulse-type or locking push/turn-type.
 - Internal and external pilot pressure supply.
 - Pressure separation plate and intermediate pressure supply module.
 - Different connector types.
- The IP20 version is provided with a partially integrated connection system since the common ground of all pilot valves on the island is directly established over jumpers (X).



IP20 connection

IP65 connection



- ① Ports 1 - 3/5 : with instant fittings for flexible hose O.D. 10 mm or G1/4 thread
- ② Ports 2 - 4 : with instant fittings for flexible hose O.D. 6 or 8 mm
- ③ Ports 12/14 - 82/84 : with instant fittings for flexible hose O.D. 4 mm or ØM5 thread
- ④ Frame (2 Ø4.2) or DIN rail mounting
- ⑤ IP20 connectors with screw terminals and jumper for common ground (X)
- ⑥ Size 15 connectors, DIN 43650, 9,4 mm, industry standard B, spade plug, IP65, 4 to 6 mm diameter cable or with cable ends (2 or 5 m long)

ELECTRICAL AND PNEUMATIC CHARACTERISTICS (see page 6)

ORDERING INFORMATION

The products are available as follows:

- Pre-assembled and tested modules ready for installation **1**
- Separate components **2** (to be mounted by customer)

1 Pre-assembled and tested module ready for operation

To order:

- Specify the MEGA spool valve island in the 2 or 3 reference lines (see page 13) according to the desired assembly:
 - In the IP20 version (type C1), the spool valve islands are delivered with pre-assembled IP20 connectors and jumpers.
 - In the IP65 version (type C0), the spool valve islands are delivered without the IP65 connectors.
- The connectors size 15 – IP65 must be ordered separately (see following page).
- Mounting and wiring accessories as required (see opposite page).

2 Separately supplied components

To order please specify the codes of all the components necessary to assemble a spool valve island (type and quantity of each component):

- Spool valves (see page 6)
- End covers (see page 7)
- Connectors IP20 - IP65 (see following page)
- Pressure separation plate or intermediate pressure supply module (see page 9)
- Mounting and pneumatic accessories (see opposite page)
- Supply of installation manual, code : **88157875**

NOTE: For an easy ordering of a spool valve island, use the configurator available at www.ascojoucomatic.com which will help you to completely fill in the reference lines for an island in accordance with the desired application and automatically specify the list of all the necessary components.

ACCESSORIES: CONNECTORS SIZE 15

type		adaptable on MEGA spool valve	description		catalogue number
IP20	for cabinet installation 3 pins + earth	All types (monostable bistable and 5/3)	Connector size 15 – IP20, 3 pins + earth with integral LED and peak voltage suppression, and screw terminals (clamping power: max. 1.5 mm ²)		(X) 88100411
			Set of 16 jumpers for common electrical ground (X) of MEGA spool valve		
IP65	for direct mounting on machine (outside of cabinet) 2 pins + earth	5/2 monostable (types M, S)	Standard connector size 15 – IP65, 2 pins + earth with cable gland (Pg7P)		88143581
			Standard connector size 15 – IP65, 2 pins + earth with PVC cable ends. Length:		2 m 88143567
			Connector size 15 – IP65, 2 pins + earth with integral LED indication and peak voltage suppression, and PVC cable ends. Lengths:		2 m 5 m 88143580 88143593
	3 pins + earth	2 x 3/2 (type K) 5/2 bistable (type J) 5/3 neutral position (types G, B, E)	Connector size 15 - IP65, 3 pins + earth with cable gland (Pg7P)		88100240
			Connector size 15 - IP65, 3 pins + earth with peak voltage suppression, and PVC cable ends. Lengths :		2 m 88122430
			Connector size 15 - IP65, 3 pins + earth with integral LED indication and peak voltage suppression, and PVC cable ends. Lengths :		2 m 5 m 88100446 88100447

Note:
If you wish to mix monostable and bistable spool valves on an island, we recommend using **one type of connector with 3 pins + earth** which can be used for **all** spool valve types.

Pin assignment
Monostable spool valve
(view on pin/coil side)

(A) Connector assignment/identification
Pin 1 (+14) : brown wire
Pin 2 (common) : blue wire
Pin ⊥ (earth) : green/yellow wire

(L) Lengths of 2m or 5m upon request.

Identification of IP65 connectors with cable ends

5/2 - 5/3 spool valves:
14 = pilot coil
12 = return coil

2 x 3/2 spool valves NC:
12B = 14 = pilot (B)
12A = 12 = pilot (A)

Non-rotatable connectors to be mounted with cable directed towards the top; the same is applicable for the pneumatic cables.

Pin assignment
Bistable spool valve or 2x3/2 or 5/3
(view on pin/coil side)

(A) Connector assignment/identification
88122430
Pin 1(+14) : brown wire
Pin 2 (common) : blue wire
Pin 3 (+12) : black wire
Pin ⊥(earth) : green/yellow wire
88100446/447
Pin 1(+14) : brown wire
Pin 2 (common) : blue wire
Pin 3 (+12) : black wire
Pin ⊥(earth) : green/yellow wire

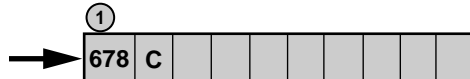
Note: For power supply to a monostable, component do not connect the black wire.

(L) Lengths of 2m or 5m upon request.

For IP20 connector assignment see page 16

ORDERING INFORMATION FOR MEGA ISLAND

MEGA island with connectors size 15



MEGA ISLAND

Island versions	Type
Island without connector (*)	C0
Island with connectors size 15 - IP20 with screw terminal	C1

(*) Connectors size 15 - IP65 to be ordered separately (see preceding page)

Port connections: 2 - 4	Type
Instant fittings Ø8mm O.D.	E
Instant fittings Ø6mm O.D.	S
Mixed (E & S) on island ⁽¹⁾	P

Auxiliary manual override	Type
(▼) impulse	1
(●) locking (push-turn)	2
Mixed (1 & 2) on island ⁽¹⁾	P

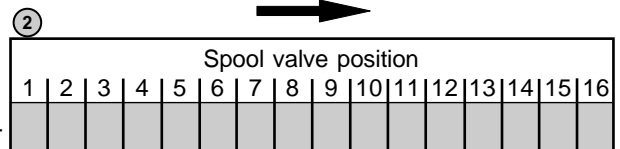
Pilots supply 12/14	Type
Internal	I
External	E
Mixed (I & E) on island ⁽¹⁾	P

Port connections: 1 - 3 / 5	Type
Instant fittings 10 mm O.D.	Q
G1/4	G

Option	Type
without option	00
other options	.. 99

Island mounting	Island delivery	Type
On frame (2 x Ø4.2)	Assembled	A
	Unassembled	B
On rail EN 50022 - DIN	Assembled	C
	Unassembled	D

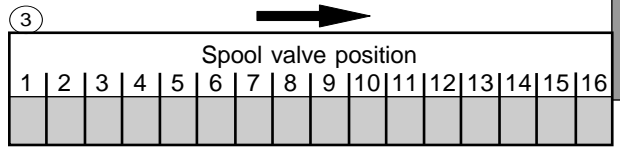
(1) Different spool valve versions can be mixed on an island. In this case:
 - indicate type "P" in the BAS-Interfacec reference ①
 - fill in reference line ③



Spool valves (functions)	Type
2 x 3/2 NC-NC	K
5/2 - Solenoid air operated pilot, spring return (monostable)	S
5/2 - Solenoid air operated pilot, differential return (monostable)	M
5/2 - Solenoid air operated pilot and return (bistable)	J
5/3 - Pressure held (W1)	G
5/3 - Pressure applied (W2)	B
5/3 - Exhaust released (W3)	E
Reserve module (to be placed at the left end of the island)	A

For detailed information on spool valves see page 6

Accessories (see page 9)	Type
Intermediate pressure supply module (connection is identical to that selected for ports 1 - 3/5 of end covers, see opposite)	D
Pressure separation plate :	
• Total blocking of 1, 3 and 5 (no connection)	X
• Blocking of 3 and 5 (port 1 connection maintained)	Y
• Blocking of 1 (ports 3 and 5 connections maintained) ..	W
• Blocking of 5 (ports 1 and 3 connections maintained) ...	T
• Blocking of 3 (ports 1 and 5 connections maintained) ..	R



Spool valve versions (with mixed connections)			
Connection ports 2 - 4	Manual override	Pilots 12/14	Type
Instant fittings 8 mm O.D.	(▼) impulse	Internal	1
		External	2
	(●) locking	Internal	3
		External	4
Instant fittings 6 mm O.D.	(▼) impulse	Internal	5
		External	6
	(●) locking	Internal	7
		External	8



How to fill in reference line ③ :
 - Fill in **only** if different spool valve versions are to be mixed on an island.
 - Use the spool valve position numbers specified in reference ②.
 - Repeat the type of accessory in the same position number as specified in reference ②.

ORDERING EXAMPLE ① : 678C0E2IQ00A

② : AJJJSSGGXJS

MEGA island, without connector (*), designed for frame mounting, supplied assembled, comprising 9 spool valves for connection with 8 mm OD instant hose fittings, locking-type manual override, internal pilot.

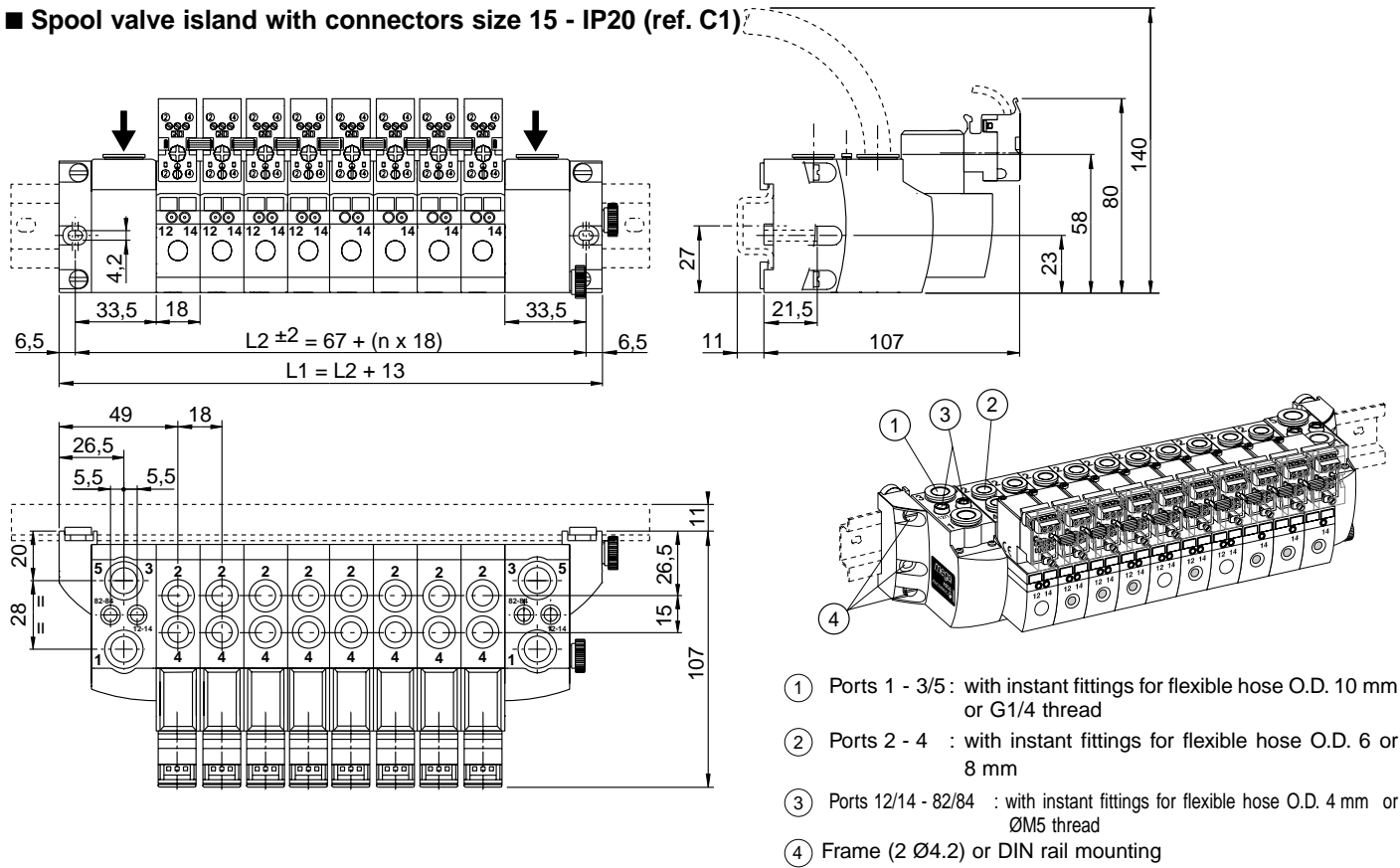
Spool valve types:

- five bistable 5/2 spool valves, type J, in positions 2 to 5 and 10
- two monostable 5/2 spool valves, type S, in positions 6 and 11
- two 5/3 spool valves (W1), type G, in positions 7 and 8
- one reserve module (A) in position 1
- one pressure separation plate, total blocking, type X, in position 9

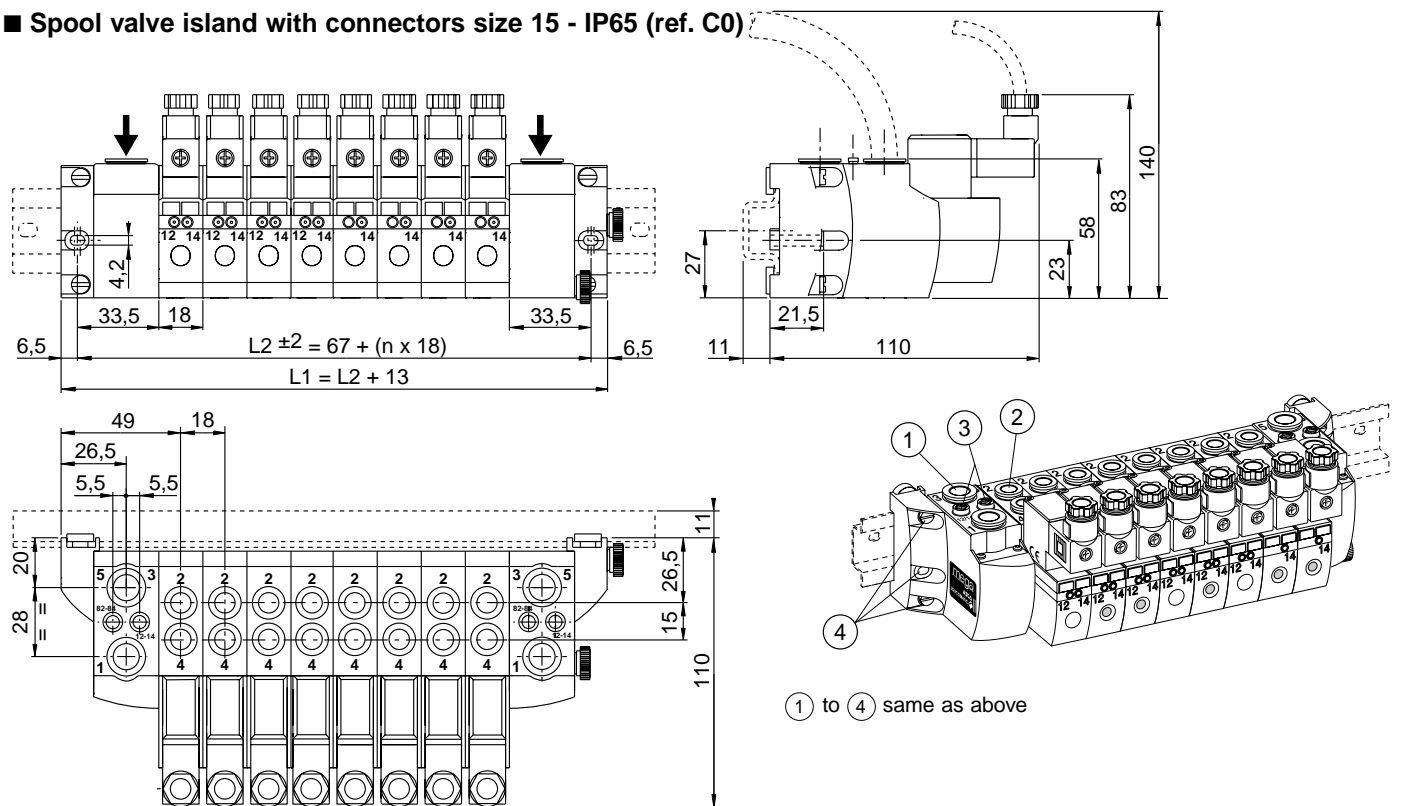
(*) Size 15 connectors, IP65, to be ordered separately (see preceding page)

DIMENSIONS AND WEIGHTS

■ Spool valve island with connectors size 15 - IP20 (ref. C1)



■ Spool valve island with connectors size 15 - IP65 (ref. C0)



	number of spool valves												
	4	5	6	7	8	9	10	11	12	13	14	15	16
L2 (±2)	139	157	175	193	211	229	247	265	283	301	319	337	355
L1	152	170	188	206	224	242	260	278	296	314	332	350	368
Weight (kg)	0.650	0.760	0.870	0.980	1.090	1.200	1.310	1.420	1.530	1.640	1.750	1.860	1.970