



Chemical Butterfly Valve K 220



Advantages

- DN 50 to DN 600
- liner as a sealing element
- liner makes additional flange seals superfluous
- cost efficient and direct actuator mounting without mounting kit

Application

- chemical plants
- industrial plants
- electroplating plants

Utilisation

- for shutting off pipeline systems

Flow media

- Neutral and aggressive fluid or gaseous media, provided that the valve components coming into contact with the media are resistant at the operating temperature according to the ASV resistance guide. Media containing solid particles impair the operating life of the valve.

Nominal pressure (H₂O, 20°C)

- DN 50 - DN 200 PN 10
- DN 250 - DN 350 PN 6
- DN 400 PN 5
- DN 450 PN 4
- DN 500 - DN 600 PN 3

Medium temperature

- see pressure/temperature diagram

Operating pressure

- see pressure/temperature diagram

Size

- DN 50 - DN 600

Spindle

- stainless steel: 1.4006 (SUS410)

Body/shut-off disc

- PVC-U/PVC-U
- PP/PP
- PP/PVDF
- PVDF/PVDF

Liner

- EPDM
- FPM

Sealing elements

- EPDM
- FPM

Actuation

- DN 50 - DN 200 with hand notch lever, spring-loaded latch or engagement mechanism with 7 notches, each 15°
- DN 50 - DN 600 with manual gear box
- DN 50 - DN 400 with electrical actuator DIN EN ISO 5211
- DN 50 - DN 600 with pneumatic actuator DIN EN ISO 5211

Connection

intermediate flange construction with hole pattern

- DN 50 - DN 250 acc. DIN EN 2501 and ANSI
- > DN 250 acc. DIN EN 2501, ANSI and JIS on request

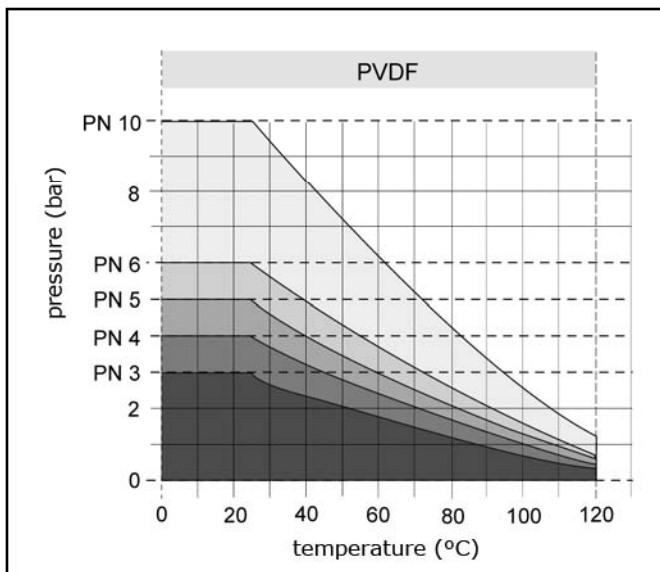
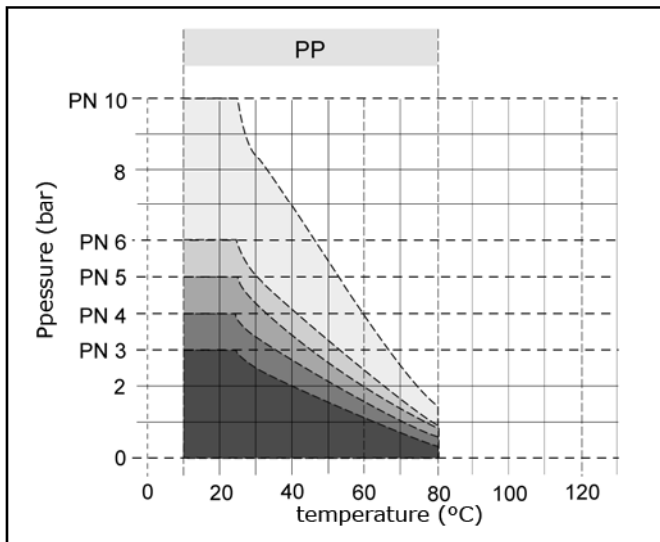
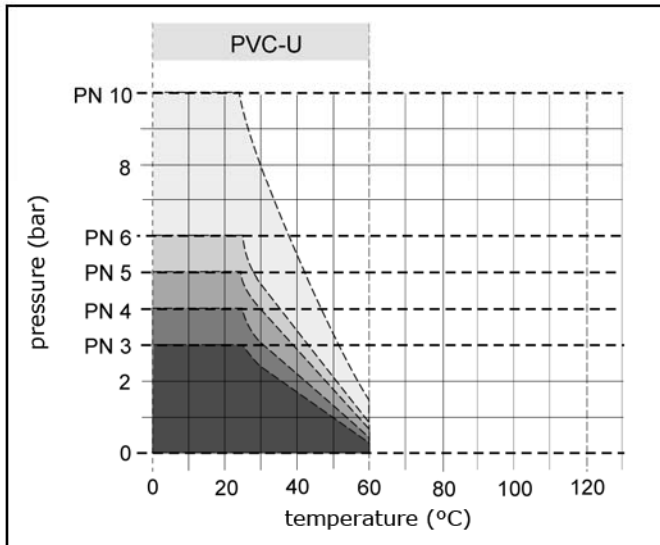
Colour

- housing PVC-U: grey, RAL 7011
 PP: grey, RAL 7032
 PVDF: opaque, yellowish-white



Chemical Butterfly Valve K 220

Pressure/temperature diagram



The pressure/temperature limits are applicable for the stated nominal pressures and a computed operating life factor of 25 years.

These are reference values for harmless fluids (DIN 2403), to which the valve material is resistant.

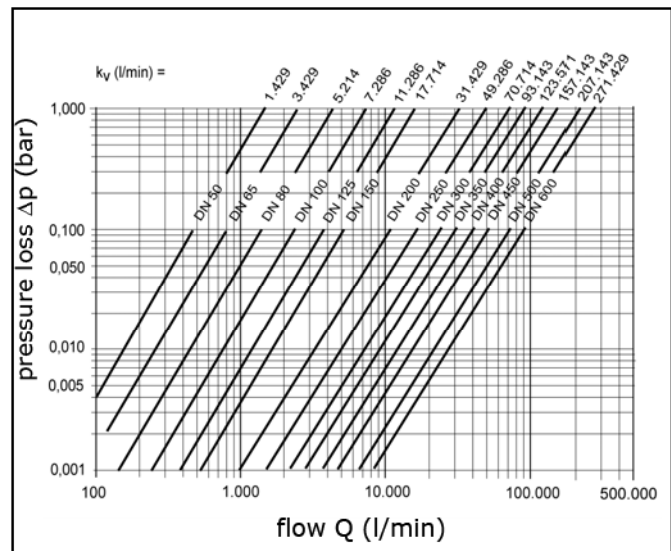
The operating life of the wear parts depends on the conditions of use.

For temperatures below 0 °C (PP < +10 °C) please specify the precise operating conditions of the application.

For other media please refer to the ASV resistance guide.

Pressure loss curve

(standard values for H₂O, 20 °C)



Pressure loss and k_v value

The diagram shows pressure loss Δp in relation to the flow Q .

Conversion aid:

$$c_v = k_v \times 0,07$$

$$f_v = k_v \times 0,0585$$

Units:

$$k_v \text{ [l/min]}$$

$$c_v \text{ [gal/min] US}$$

$$f_v \text{ [gal/min] GB}$$

Torque Nm (reference value)

DN (mm)	50	65	80	100	125	150	200
MD (Nm)	15	25	35	52	81	98	196

DN (mm)	250	300	350	400	450	500	600
MD (Nm)	392	588	850	981	1112	1242	1438

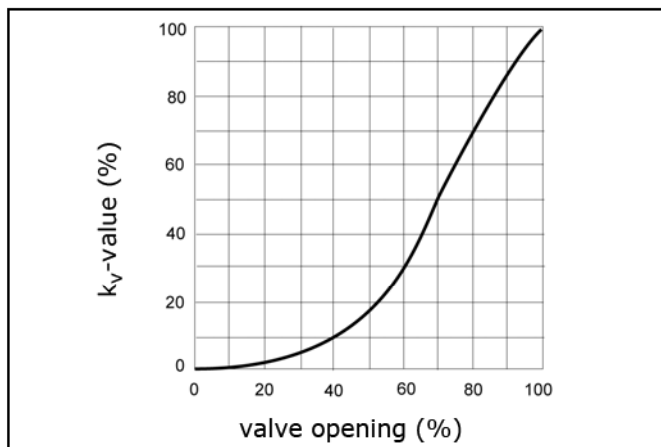
The specified torques (without hand notch lever) are reference values.

These values can be higher or lower, depending on the medium.



ASV Stübbe GmbH & Co. KG • Hollwieser Straße 5 • D-32602 Vlotho • Fon +49 (0) 57 33 - 7 99-0 • Fax +49 (0) 57 33 - 7 99-2 00 • www.asv-stuebbe.de • contact@asv-stuebbe.de

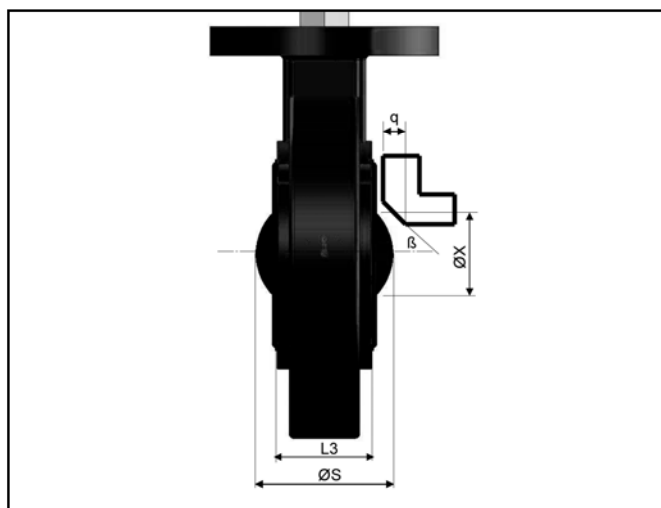
Flow and control characteristics



Installation advice

NOTE

Machine a bevel to welding necks according to the table, prior to installing the butterfly valve in the pipe. Otherwise damage to the shut-off disc could occur and leaks would result.



DN (mm)	50	65	80	100	125
q (mm)xβ°	-	-	-	3x30	8x30

DN (mm)	150	200	250	300	350
q (mm)xβ°	12x30	15x30	20x30	35x30	55x30

DN (mm)	400	450	500	600
q (mm)xβ°	50x30	*	*	*

* on request

Max. flange tightening torques (Nm)

DN (mm)	50	65	80	100	125	150	200
Md (Nm)	20	20	20	25	25	30	55

DN (mm)	250	300	350	400	450	500	600
Md (Nm)	65	65	80	85	85	90	90

Notes on operation

ATTENTION

Safe operation of the valve can only be ensured if it is properly installed, operated, serviced or repaired by qualified personnel according to its intended use while observing the accident prevention regulations, safety regulations, relevant standards, directives/technical regulations or codes of practice such as e.g. DIN, DIN EN, DIN ISO and DVS.

The intended use includes adhering to specified limit values for pressure and temperature, as well as checking the chemical resistance with regard to the operating conditions.

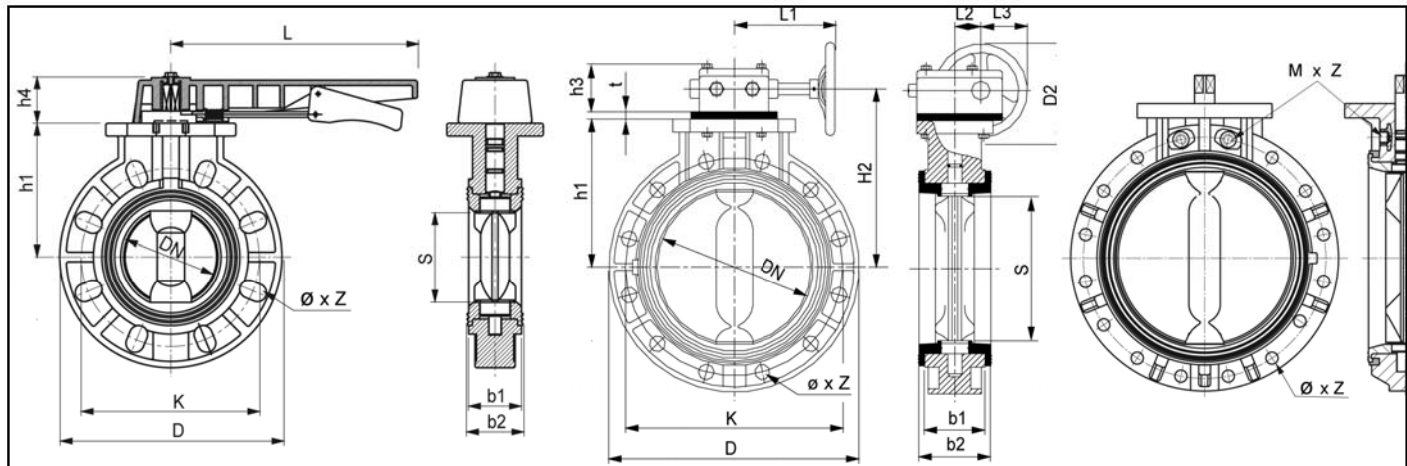
For this purpose, ensure that all components coming into contact with the medium are "resistant" in accordance with the ASV resistance guide.

Non-observance of the specified instructions and safety regulations may cause damage to health and/or damage to assets.

PVC-U butterfly valves may only be fitted with PVC-U flange adaptors.



Chemical Butterfly Valve K 220 »Manual«



Dimensions:

d (mm)	63	75	90	110	140	160	225	280	315	355	400	450	500	600
DN (mm)	50	65	80	100	125	150	200	250	300	350	400	450	500	600
DN (Zoll)	2	2 1/2	3	4	5	6	8	10	12	14	16	18	20	24
PN	10	10	10	10	10	10	10	6	6	6	5	4	3	3
Hand gear	9801	9801	9801	9801	9801	9801	9801	9804	9804	9807	9807	9807	9807	9807
b1	39,0	44,3	44,0	54,3	63,0	65,0	79,0	104,0	127,0	119,5	160,0	171,0	180,0	201,0
b2	42,5	46,0	46,0	56,0	68,0	70,5	85,0	109,0	131,5	127,0	166,0	179,0	189,5	210,0
D (PVC-U)	165,5	185,0	200,5	229,0	257,0	288,0	343,0	411,0	490,0	530,0	596,0	630,0	696,0	813,0
D (PP)	163,0	182,0	198,0	227,0	256,0	287,0	343,0	406,0	488,0	526,0	588,0	630,0	696,0	813,0
D (PVDF)	162,0	182,0	197,0	226,0	251,0	281,0	333,0	402,0	480,0	518,0	583,0	612,0	670,0	793,0
D2	200,0	200,0	200,0	200,0	200,0	200,0	200,0	200,0	200,0	300,0	300,0	300,0	300,0	300,0
h1 (PVC-U)	104,8	113,5	115,8	136,5	163,5	177,0	209,5	239,5	298,0	300,0	345,0	370,0	410,0	480,0
h1 (PP)	101,0	111,5	114,0	136,0	163,5	177,0	209,5	238,0	297,0	297,0	342,0	365,0	405,0	475,0
h1 (PVDF)	101,0	111,0	113,0	134,0	159,5	173,5	201,5	233,0	291,0	293,0	340,0	360,0	396,0	460,0
H2 (PVC-U)	135,1	143,9	146,1	166,9	193,9	207,4	239,9	271,5	330,0	337,7	382,7	407,7	447,7	517,7
H2 (PP)	131,4	141,9	144,4	166,4	193,9	207,4	239,9	270,0	329,0	334,7	379,7	402,7	442,7	498,7
H2 (PVDF)	131,4	141,4	143,4	164,4	189,9	203,9	231,9	265,0	323,0	330,7	377,7	397,7	433,7	497,7
h3	71,0	71,0	71,0	71,0	71,0	71,0	71,0	73,0	73,0	86,0	86,0	86,0	86,0	86,0
h4	50,0	50,0	50,0	55,0	70,0	70,0	70,0	-	-	-	-	-	-	-
K	125,0	145,0	160,0	180,0	210,0	240,0	295,0	350,0	400,0	460,0	515,0	565,0	620,0	725,0
L	199,0	199,0	199,0	252,0	297,0	297,0	297,0	-	-	-	-	-	-	-
L1	167,0	167,0	167,0	167,0	167,0	167,0	167,0	177,0	177,0	217,0	217,0	217,0	217,0	217,0
L2	38,5	38,5	38,5	38,5	38,5	38,5	38,5	52,0	52,0	67,0	67,0	67,0	67,0	67,0
L3	100,0	100,0	100,0	100,0	100,0	100,0	100,0	100,0	100,0	150,0	150,0	150,0	150,0	150,0
ø x Z	18/4	18/4	18/8	18/8	18/8	22/8	22/8	23/12	23/12	23/16	27/14	27/16	27/16	30/16
M x Z	-	-	-	-	-	-	-	-	-	-	M24/2	M24/4	M24/4	M27/4
S	47,0	58,5	71,5	92,5	118,0	138,5	189,5	247,5	302,5	348,0	386,5	441,5	490,5	599,0
t	-	-	-	-	-	-	-	-	-	-	25,0	25,0	25,0	25,0

Weights with hand lever (kg)

d (mm)	63	75	90	110	140	160	225	280	315	355	400	450	500	600
PVC-U / PVC-U	1,3	1,6	1,7	1,9	3,8	5,1	8,9	-	-	-	-	-	-	-
PP / PP	1,0	1,1	1,3	2,0	2,9	3,9	7,2	-	-	-	-	-	-	-
PP / PVDF	1,3	1,4	1,5	1,7	3,2	4,3	7,9	-	-	-	-	-	-	-

PVDF on request!

The specified values are standard values.

Weights with hand gear (kg)

d (mm)	63	75	90	110	140	160	225	280	315	355	400	450	500	600
PVC-U / PVC-U	3,0	3,4	3,4	3,6	5,3	6,5	10,4	16,4	24,2	35,4	62,3	76,1	98,3	135,0
PP / PP	2,8	2,9	3,0	3,5	4,3	5,3	8,6	13,4	19,5	29,8	51,6	54,3	70,0	93,8
PP / PVDF	3,0	3,1	3,2	3,3	4,6	5,7	9,4	15,0	22,2	54,9	57,2	96,6	125,0	173,7

PVDF on request!

The specified values are standard values.



Chemical Butterfly Valve K 220 »Manual«

Ident No.

Housing: PVC-U

Shut-off disc: PVC-U

size	d (mm)	63	75	90	110	140	160	225
actuation	seal							
hand notch lever	EPDM	138666	138667	138668	138669	138670	138671	138672
hand notch lever	FPM	138673	138674	138675	138676	138677	138678	138679
hand gear	EPDM	138722	138723	138724	138725	138726	138727	138728
hand gear	FPM	138736	138737	138738	138739	138740	138741	138742

size	d (mm)	280	315	355	400	450	500	600
actuation	seal							
hand gear	EPDM	138729	138730	138731	138732	138733	138734	138735
hand gear	FPM	138743	138744	138745	138746	138747	138748	138749

Housing: PP

Shut-off disc: PP

size	d (mm)	63	75	90	110	140	160	225
actuation	seal							
hand notch lever	EPDM	138680	138681	138682	138683	138684	138685	138686
hand notch lever	FPM	138687	138688	138689	138690	138691	138692	138693
hand gear	EPDM	138750	138751	138752	138753	138754	138755	138756
hand gear	FPM	138764	138765	138766	138767	138768	138769	138770

size	d (mm)	280	315	355	400	450	500	600
actuation	seal							
hand gear	EPDM	138757	138758	138759	138760	138761	138762	138763
hand gear	FPM	138771	138772	138773	138774	138775	138776	138777

Housing: PP

Shut-off disc: PVDF

size	d (mm)	63	75	90	110	140	160	225
actuation	seal							
hand notch lever	EPDM	138694	138695	138696	138697	138698	138699	138700
hand notch lever	FPM	138701	138702	138703	138704	138705	138706	138707
hand gear	EPDM	138778	138779	138780	138781	138782	138783	138784
hand gear	FPM	138792	138793	138794	138795	138796	138797	138798

size	d (mm)	280	315	355	400	450	500	600
actuation	seal							
hand gear	EPDM	138785	138786	138787	138788	138789	138790	138791
hand gear	FPM	138799	138800	138801	138802	138803	138804	138805

Housing: PVDF

Shut-off disc: PVDF

size	d (mm)	63	75	90	110	140	160	225
actuation	seal							
hand notch lever	EPDM	138708	138709	138710	138711	138712	138713	138714
hand notch lever	FPM	138715	138716	138717	138718	138719	138720	138721
hand gear	EPDM	138806	138807	138808	138809	138810	138811	138812
hand gear	FPM	138820	138821	138822	138823	138824	138825	138826

size	d (mm)	280	315	355	400	450	500	600
actuation	seal							
hand gear	EPDM	138813	138814	138815	138816	138817	138818	138819
hand gear	FPM	138827	138828	138829	138830	138831	138832	138833



Chemical Butterfly Valve K 220 »Electric«

Voltage

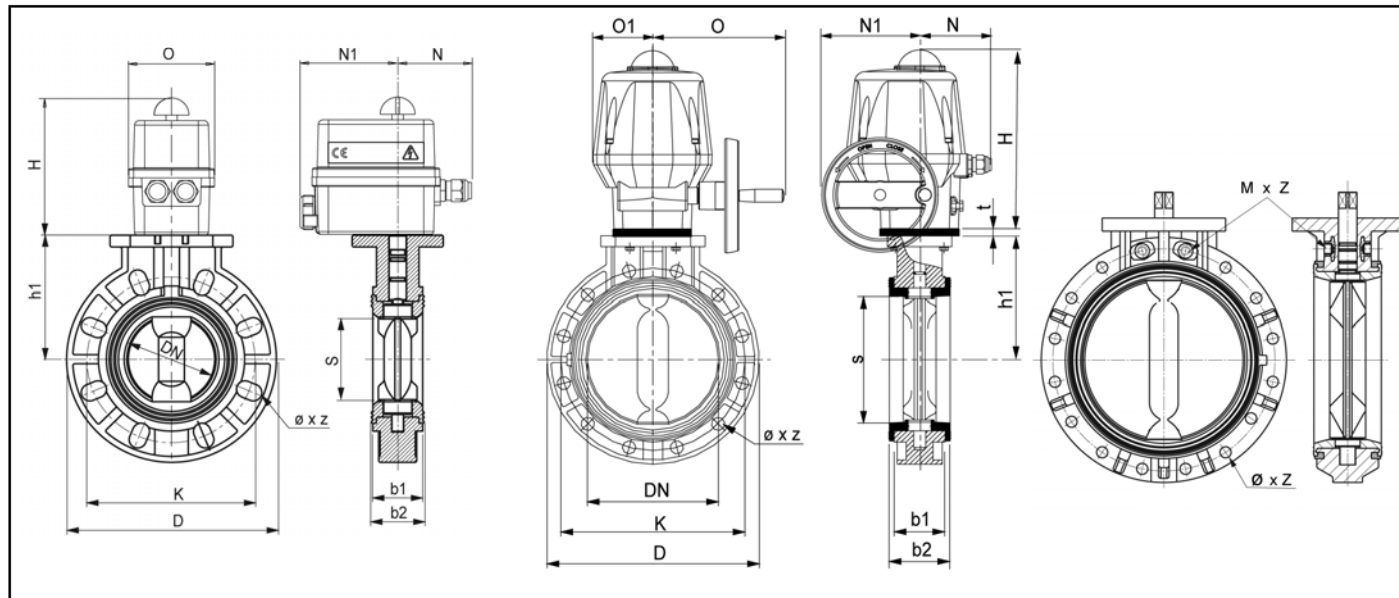
- please refer to the technical data

Screws

- stainless steel (V2A)

Manipulating time

- please refer to the technical data



Dimensions

d (mm)	63	75	90	110	140	160	225	280	315	355	400
DN (mm)	50	65	80	100	125	150	200	250	300	350	400
DN (Zoll)	2	2 1/2	3	4	5	6	8	10	12	14	16
PN	10	10	10	10	10	10	10	6	6	6	5
Typ	ER20	ER35	ER35	ER60	ER100	VS150	VS300	VT600	VT600	VT1000	VT1000
b1	39,0	44,3	44,0	54,3	63,0	65,0	79,0	104,0	127,0	119,5	160,0
b2	42,5	46,0	46,0	56,0	68,0	70,5	85,0	109,0	131,5	127,0	166,0
D (PVC-U)	165,5	185,0	200,5	229,0	257,0	288,0	343,0	411,0	490,0	530,0	596,0
D (PP)	163,0	182,0	198,0	227,0	256,0	287,0	343,0	406,0	488,0	526,0	588,0
D (PVDF)	162,0	182,0	197,0	226,0	251,0	281,0	333,0	402,0	480,0	518,0	583,0
H	147,0	175,0	175,0	175,0	175,0	258,0	258,0	349,0	349,0	349,0	349,0
h1 (PVC-U)	104,8	113,5	115,8	136,5	163,5	177,0	209,5	239,5	298,0	300,0	345,0
h1 (PP)	101,0	111,5	114,0	136,0	163,5	177,0	209,5	238,0	297,0	297,0	342,0
h1 (PVDF)	101,0	111,0	113,0	134,0	159,5	173,5	201,5	233,0	291,0	293,0	340,0
K	125	145	160	180	210	240	295	350	400	460	515
ø x Z	18/4	18/4	18/8	18/8	18/8	22/8	22/8	23/12	23/12	23/16	27/14
M x Z	-	-	-	-	-	-	-	-	-	-	M24/2
N	86,0	95,0	95,0	95,0	95,0	102,0	102,0	102,0	102,0	102,0	102,0
N1	105,0	111,0	111,0	111,0	111,0	140,0	140,0	140,0	140,0	140,0	140,0
O	92,0	92,0	92,0	128,0	128,0	190,0	190,0	228,0	228,0	228,0	228,0
O1	-	-	-	-	-	85,0	85,0	240,0	240,0	240,0	240,0
S	47,0	58,5	71,5	92,5	118,0	138,5	189,5	247,5	302,5	348,0	386,5
t	-	-	-	-	-	-	-	-	-	-	25



Chemical Butterfly Valve K 220 »Electric«

Technical data

ER-line

actuator Type	ER20	ER20	ER35	ER35	ER60	ER60	ER100	ER100
torque (Nm)	20	20	35	35	60	60	100	100
voltage (V AC)	230	-	230	-	230	-	230	-
voltage (V DC/AC)	-	24	-	24	-	24 / 12	-	24 / 12
running time 90° (s)	20	20	35	35	20	10 / 20	35	30 / 45
rating (W)	15	11	15	11	24	26	24	26
weight (kg)	1,5	1,5	3	3	3	3	6	6
duty cycle (%)	50	30	50	30	50	30	50	50
type of protection	IP65	IP65	IP65	IP65	IP65	IP65	IP65	IP65
temperature (°C)	-10 to +55	-10 to +55	-10 to +55	-10 to +55	-10 to +55	-10 to +55	-10 to +55	-10 to +55

Electric connections on request!

Technical data

VS- / VT-line

Actuator Type VS	VS150	VS150	VS 150	VS300	VS300	VS300	VT600	VT600	VT1000	VT1000
torque (Nm)	150	150	150	300	300	300	600	600	1000	1000
voltage (V AC)			24			24				
voltage (V DC/AC)	400	100-240		400	100-240		400	230	400	230
running time 90° (s)	20	30	30	35	50	50	38	38	38	38
rating (W)	135	45	45	135	85	85	250	250	250	250
weight (kg)	5,6	5,6	5,6	5,6	5,6	5,6	17,1	17,1	17,1	17,1
duty cycle (%)	50	50	50	50	50	50	50	50	50	50
type of protection	IP67	IP67	IP67	IP67	IP67	IP67	IP67	IP67	IP67	IP67
temperature (°C)	-20 to +70	-20 to +70	-20 to +70	-20 to +70	-20 to +70	-20 to +70	-20 to +70	-20 to +70	-20 to +70	-20 to +70

Electric connections on request!

Weights (kg)

d (mm)	63	75	90	110	140	160	225	280	315	355	400
PVC-U / PVC-U	2,5	4,4	4,4	4,5	9,3	10,1	14,0	30,7	38,5	46,0	65,5
PP / PP	2,3	3,9	4,0	4,6	8,3	8,9	12,2	27,7	33,8	40,4	54,8
PP / PVDF	2,5	4,1	4,2	4,3	8,6	9,3	13,0	29,3	36,5	65,5	60,4

PVDF on request!



Chemical Butterfly Valve K 220 »Pneumatic«

Control pressure

- 6 bar

Standard

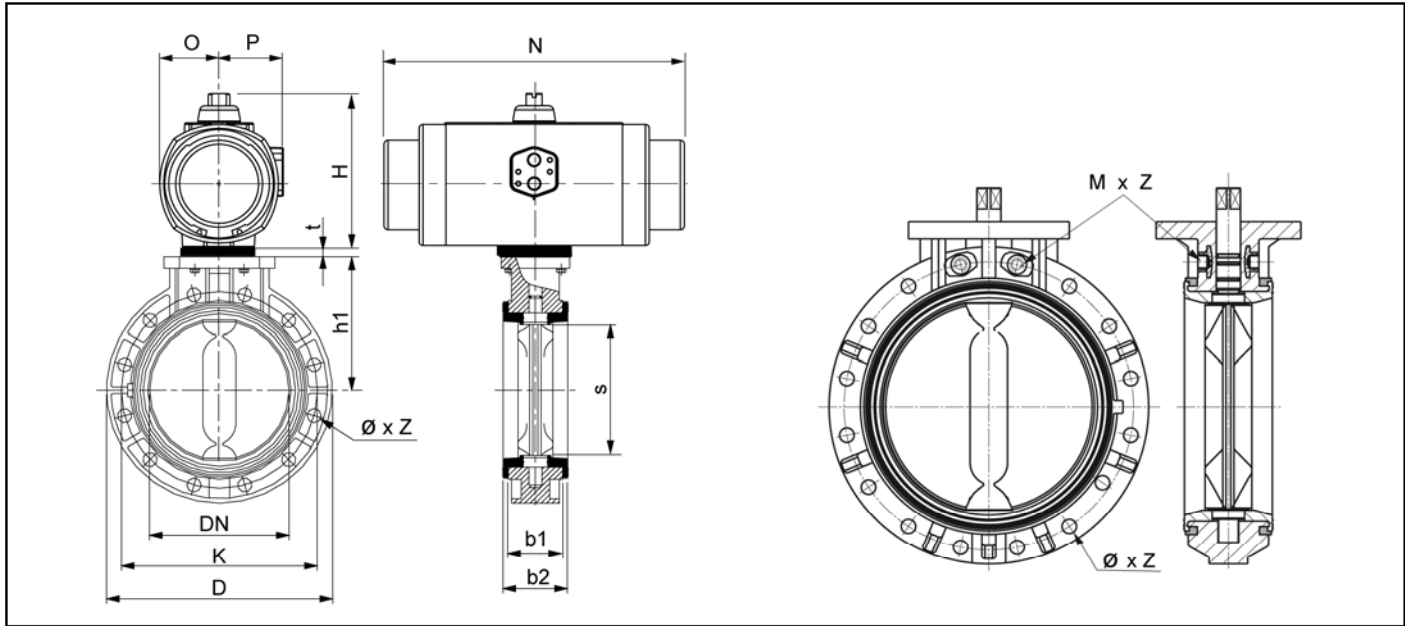
- Visual position indicator

Control functions

- NC (normally closed)
- NO (normally open)
- DA (double acting)

Screws

- stainless steel (V2A)



Dimensions

d (mm)	63	75	90	110	140	160	225	280	315	355	400	450	500	600
DN (mm)	50	65	80	100	125	150	200	250	300	350	400	450	500	600
DN (Zoll)	2	2 1/2	3	4	5	6	8	10	12	14	16	18	20	24
PN	10	10	10	10	10	10	10	6	6	6	5	4	3	3
NC-NO	PA10S	PA10S	PA20S	PA20S	PA25S	PA25S	P30ST	P40ST	P50ST	P50ST	P50ST	P50ST	PA70S	PA70S
DA	PA00	PA00	PA10	PA10	PA15	PA15	PA25	P30T	P40T	P40T	P40T	P40T	P40T	P50T
b1	39,0	44,3	44,0	54,3	63,0	65,0	79,0	104,0	127,0	119,5	160,0	171,0	180,0	201,0
b2	42,5	46,0	46,0	56,0	68,0	70,5	85,0	109,0	131,5	127,0	166,0	179,0	189,5	210,0
D (PVC-U)	165,5	185	200,5	229,0	257,0	288,0	343,0	411,0	490,0	530,0	596,0	630,0	696,0	813,0
D (PP)	163,0	182,0	198,0	227,0	256,0	287,0	343,0	406,0	488,0	526,0	588,0	630,0	696,0	813,0
D (PVDF)	162,0	182,0	197,0	226,0	251,0	281,0	333,0	402,0	480,0	518,0	583,0	612,0	670,0	793,0
H (NC-NO)	132,3	132,3	156,3	156,3	184,3	184,3	211,0	272,0	313,0	313,0	313,0	313,0	428,0	428,0
H (DA)	111,3	111,3	132,3	132,3	147,8	147,8	184,3	211,0	272,0	272,0	272,0	272,0	272,0	313,0
h1 (PVC-U)	104,8	113,5	115,8	136,5	163,5	177,0	209,5	239,5	298,0	300,0	345,0	370,0	410,0	480,0
h1 (PP)	101,0	111,5	114,0	136,0	163,5	177,0	209,5	238,0	297,0	297,0	342,0	365,0	405,0	475,0
h1 (PVDF)	101,0	111,0	113,0	134,0	159,5	173,5	201,5	233,0	291,0	293,0	340,0	360,0	396,0	460,0
K	125	145	160	180	210	240	295	350	400	460	515	565	620	725
ø x Z	18/4	18/4	18/8	18/8	18/8	22/8	22/8	23/12	23/12	23/16	27/14	27/16	27/16	30/16
M x Z	-	-	-	-	-	-	-	-	-	-	M24/2	M24/4	M24/4	M27/4
N (NC-NO)	224,4	224,4	309,5	309,5	356,2	356,2	479,0	598,0	694,0	694,0	694,0	694,0	742,5	742,5
N (DA)	152,3	152,3	224,4	224,4	264,2	264,2	356,7	349,0	444,0	444,0	444,0	444,0	444,0	524,0
O (NC-NO)	40,9	40,9	52,4	52,4	64,3	64,3	83,0	106,0	122,5	122,5	122,5	122,5	186,5	186,5
O (DA)	31,9	31,9	40,9	40,9	48,9	48,9	64,3	83,0	106,0	106,0	106,0	106,0	106,0	122,5
P (NC-NO)	62,7	62,7	75,1	75,1	89,2	89,2	94,0	120,0	135,0	135,0	135,0	135,0	216,0	216,0
P (DA)	52,2	52,2	62,7	62,7	70,5	70,5	89,2	94,0	120,0	120,0	120,0	120,0	120,0	135,0



ASV Stübbe GmbH & Co. KG • Hollwieser Straße 5 • D-32602 Vlotho • Fon +49 (0) 57 33 - 7 99-0 • Fax +49 (0) 57 33 - 7 99-200 • www.asv-stuebbe.de • contact@asv-stuebbe.de

d (mm)	63	75	90	110	140	160	225	280	315	355	400	450	500	600
S	47,0	58,5	71,5	92,5	118,0	138,5	189,5	247,5	302,5	348,0	386,5	441,5	490,5	599,0
t	-	-	-	-	-	-	-	-	-	-	25	25	25	25
A (NC-NO)	1/4	1/4	1/4	1/4	1/4	1/4	1/4	1/4	1/4	1/4	1/4	1/4	1/4	1/4
B (NC-NO)	1/4	1/4	1/4	1/4	1/4	1/4	1/4	1/4	1/4	1/4	1/4	1/4	1/4	1/4

Weights (kg)

Actuator: single acting NC/NO

d (mm)	63,0	75,0	90,0	110,0	140,0	160,0	225,0	280,0	315,0	355,0	400,0	450,0	500,0	600,0
PVC-U / PVC-U	4,5	4,9	8,1	8,1	14,6	15,8	24,3	50,0	79,8	87,3	106,8	120,6	199,0	235,7
PP / PP	4,2	4,4	7,7	8,2	13,6	14,6	22,5	47,0	75,1	81,7	96,1	98,8	170,7	194,5
PP / PVDF	4,5	4,6	7,8	7,9	13,9	15,0	23,3	48,6	77,8	106,8	101,7	141,1	225,7	274,4

PVDF on request!

The specified values are standard values.

Actuator: Double acting DA

d (mm)	63	75	90	110	140	160	225	280	315	355	400	450	500	600
PVC-U / PVC-U	2,4	2,8	4,5	4,6	7,5	8,7	17,7	22,7	40,8	48,3	67,8	81,6	100,2	148,2
PP / PP	2,2	2,3	4,1	4,7	6,5	7,5	15,9	19,7	36,1	42,7	57,1	59,8	71,9	107,0
PP / PVDF	2,4	2,5	4,3	4,4	6,8	7,9	16,7	21,3	38,8	67,8	62,7	102,1	126,9	186,9

PVDF on request!

The specified values are standard values.

Technical data

Actuator: single acting NC/NO

type	torque (Nm) at 6 bar		air volume (L)		running time (sec.)		air connection	weight (kg)
	start	end	opening	closing	opening	closing		
PA10S	40,2	25,4	0,35	-	0,3	0,3	1/4"	3,48
PA20S	99,7	60,8	0,8	-	0,5	0,5	1/4"	6,63
PA25S	170,6	108,2	1,5	-	0,8	0,8	1/4"	11,30
P30ST	289,0	196,0	2,05	-	1,2	1,2	1/4"	15,90
P40ST	688,0	413,0	5,3	-	2	2	1/4"	36,40
P50ST	1343,8	861,4	10,5	-	6	6	1/4"	58,40
PA70S	3273,0	1504,0	31,0	-	15	10	1/4"	118,20

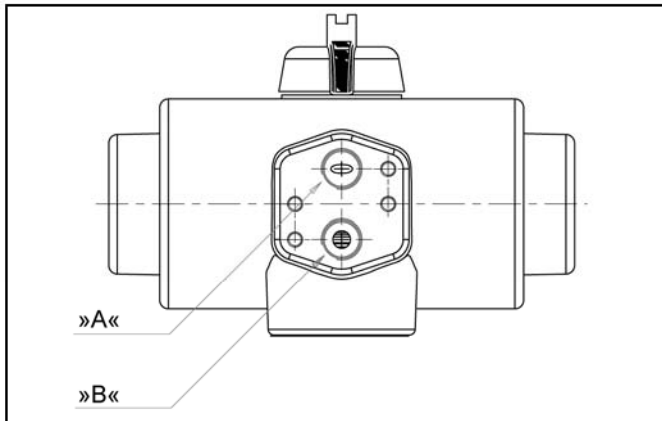
Actuator: Double acting DA

type	torque (Nm) at 6 bar		air volume (L)		running time (sec.)		air connection	weight (kg)
	start	end	opening	closing	opening	closing		
PA00	25	-	0,15	0,18	0,15	0,15	1/4"	1,40
PA10	71	-	0,35	0,45	0,25	0,25	1/4"	3,08
PA15	116,5	-	0,65	0,82	0,3	0,3	1/4"	4,20
PA25	290	-	1,5	2,02	0,5	0,5	1/4"	9,30
P30T	469	-	2,05	1,9	0,6	0,6	1/4"	9,10
P40T	1180	-	5,3	5,3	1,2	1,2	1/4"	19,40
P50T	2068	-	10,5	7	2	2	1/4"	30,70

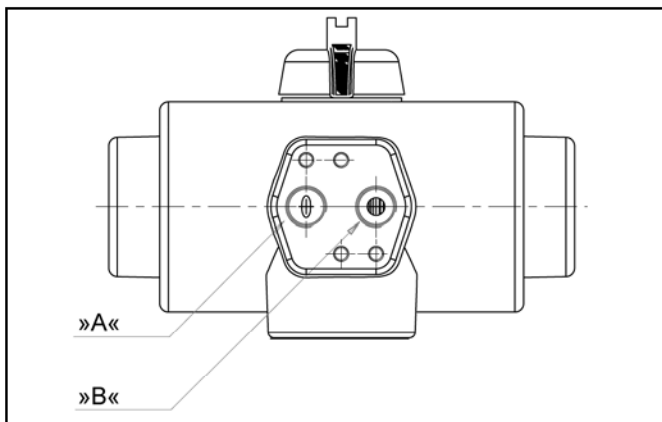
Application conditions

control medium	temperature range	max. pressure	housing
Filtered, dry compressed air, non-corrosive medium	-32°C to +90°C	8 bar	aluminium

Compressed air connection -P-Actuator



Compressed air connection -PA-Actuator



Single acting actuators:

- compressed air to connection »B«

Double acting actuators:

- compressed air to connection »A« (closes)
- compressed air to connection »B« (opens)

Control

- 3/2-way solenoid valves for NC/NO actuators
- 5/2-way solenoid valves for DA actuators

Options

- micro switches or proximity switches as directly mounted variant or as variant in limit switch box
- positioner
- handwheel
- ASI Bus
- pilot solenoid valve

