

PNEUMATIC ANGLE TYPE INTERCEPTION VALVE Type PAV 21

DESCRIPTION

The PAV series angle seat interception valves are designed for steam, gas and other fluids used on the process industry and they are the effective response to fluid interception when flexibility and cost is requested. Connections are female screwed.

MAIN FEATURES

Stainless steel body with high coefficient of flow.
Resistance to corrosion
Low air consumption
Nylon rotational servo control
Self-centring plug with soft sealing
Live loading packing gland

OPTIONS: Pilot solenoid valves
Electromechanical switches

USE: Saturated steam, water and other fluids compatible with the construction.

AIR SUPPLY: 5 bar / 8 bar

AVAILABLE MODELS:

PAV 21 - Pneumatic angle valve

SIZES: DN 1/2" – DN 2"

CONNECTIONS: Threaded ISO

VALVE LIMITING

CONDITIONS: Body design conditions:
PN16
Max. Working temperature: 190 °C
Min. Working temperature: -10 °C
Ambient temp. : -10 °C ...+ 80 °C



FLOW RATE COEFFICIENTS						
	SIZES					
	DN15	DN20	DN25	DN32	DN40	DN50
Kvs	4,8	9,5	18	23,2	32,7	52,6

MAX. PERMISSIBLE PRESS.DROP IN bar Normally closed valve (fluid to open) Reverse action actuator (air signal to open)							
ACT. Type	AIR PRESSURE	SIZES					
		DN15	DN20	DN25	DN32	DN40	DN50
PPI-63	5 - 8 bar	16	16	16	-	-	-
PPI-90	5 - 8 bar	-	-	-	16	16	10

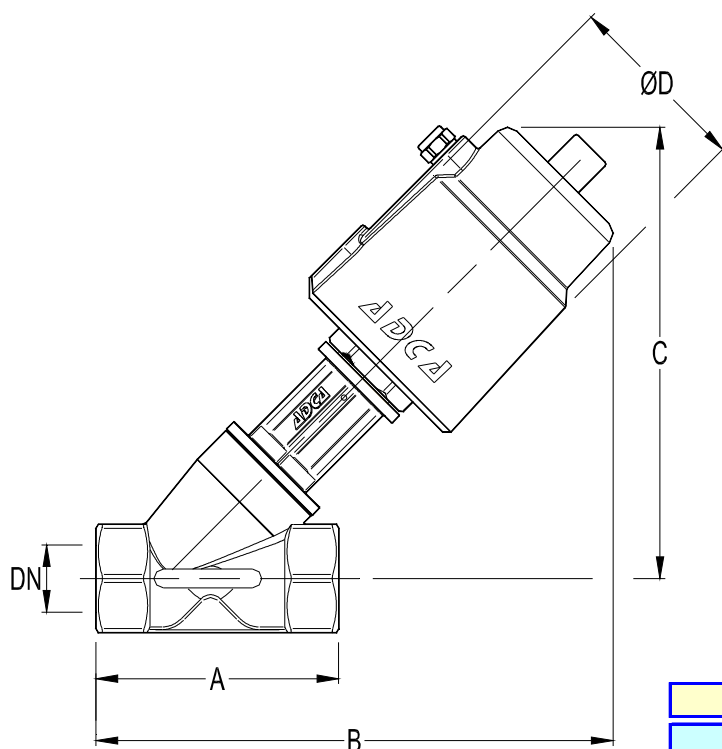
Note: Waterhammer free design.

Kvs in m³/h , see data sheet IS PV10.00 E ;
For conversion Kvs = Cv(US) x 0,855

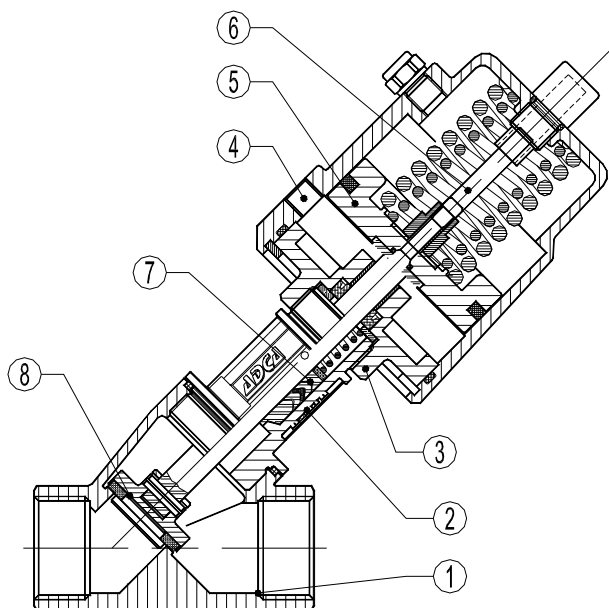
CE MARKING (PED - European Directive 97/23/EC)	
PN 16	Category
DN15 to DN50	SEP - art. 3, paragraph3

MAX. PERMISSIBLE PRESS.DROP IN bar Normally closed valve (fluid to close) Reverse action actuator (air signal to open)							
ACT. Type	AIR PRESSURE	SIZES					
		DN15	DN20	DN25	DN32	DN40	DN50
PPI-63	5 - 8 bar	16	16	16	-	-	-
PPI-63	6 - 8 bar	16	16	16	-	-	-
PPI-63	7 - 8 bar	16	16	16	-	-	-
PPI-90	5 - 8 bar	-	-	-	16	-	-
PPI-90	6 - 8 bar	-	-	-	16	16	-
PPI-90	7 - 8 bar	-	-	-	16	16	16

Note: not recommended when controlling liquids at high speed doing to waterhammer occurrence.



DIMENSIONS (mm)								
DN	A	B	C	Ø D	C	Ø D	WHT. Kgs w/PPI63	WHT. Kgs w/PPI90
			Actuator PPI-63		Actuator PPI-90			
15	68	174	155	75	155	110	1,35	2,4
20	75	182	158	75	158	110	1,45	2,5
25	90	190	166	75	166	110	1,65	2,7
32	116	261	227	75	227	110	2,3	3,3
40	116	265	229	75	229	110	2,55	3,5
50	138	282	238	75	238	110	3,6	4,7



MATERIALS		
POS.	DESIGNATION	MATERIAL
1	Valve Body	CF8M / 1.4408
2	Bonnet	CF8 / 1.4308
3	Actuator Flange	CF8 / 1.4308
4	Actuator Cover	CF8 / 1.4308
5	Piston	Aluminium
6	Indication Stem	Plastic
7	* Packing	PTFE / GR
8	* Valve Plug	1.4401 / PTFE-GR

* Available spare parts



ORDERING CODES PAV21

VALVE CODES		PAV					.X.		
Group Designation									
Pneumatic on-off angle valve		PAV							
Valve Model									
Two way straight design, stainless steel construction			.21						
Valve Plug									
Soft (PTFE/GR) PT Type				1					
Pipe Connection									
Threaded BSP ISO 7/1 Rp						A			
Flanged EN1092-1 PN16						L			
Size									
DN 15							15		
DN 20							20		
...									
Fluid Direction									
Normally closed valve, fluid enter above the seat								A	
Normally closed valve, fluid enter below the seat								B	
Actuator									(1)
Extras (3)									E

ACTUATOR CODES (pneumatic)		PI.				
Group Designation						
Piston linear actuator		PI.				
Actuator Size						
Piston pneumatic actuator PPI 63			.63			
Piston pneumatic actuator PPI 90			.90			
Actuator Type						
Direct action (air to close)						.D
Reverse action (air to open)						.R
Actuator Construction						
Stainless steel						(2)

→ To be introduced on ".X.", if supplied in combination with the valve.

- (1)- Indicate actuator type.
- (2)- Omitted if the standard actuator is selected.
- (3)- To be used only when a non-standard combination valve is supplied