

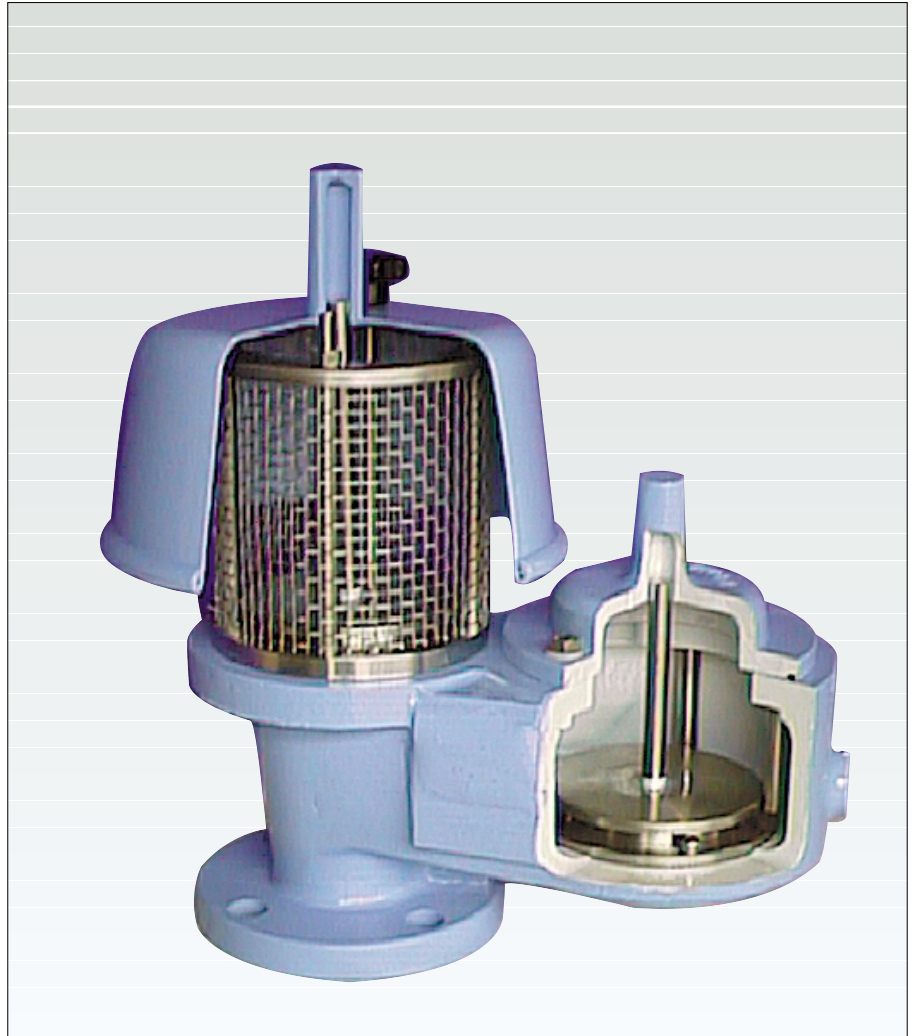


WHESSOE

The Whessoe - Varec Vapour Control range of Pressure and Vacuum relief valves cover a wide range of settings and materials to satisfy all the requirements of the liquid storage industry.

Features

- Pressure settings 2.5 mbar to 3.5 bar
- Vacuum settings 2.5 mbar to 800 mbar
- Weight or spring loaded
- Sizes 2" (50mm) to 12" (300mm)
- Body materials aluminium, SG Iron, carbon steel, stainless steel
- Vent to atmosphere or pipeaway
- Stainless steel removable seats
- Low ambient temperature version
- Full flange
- ANSI and DIN flanges
- Self draining body



Whessoe – Varec Vapour Control are constantly developing their range of products, therefore additional sizes, additional materials and settings outside the normal range can be offered. Please contact the sales office with your requirements.

General application

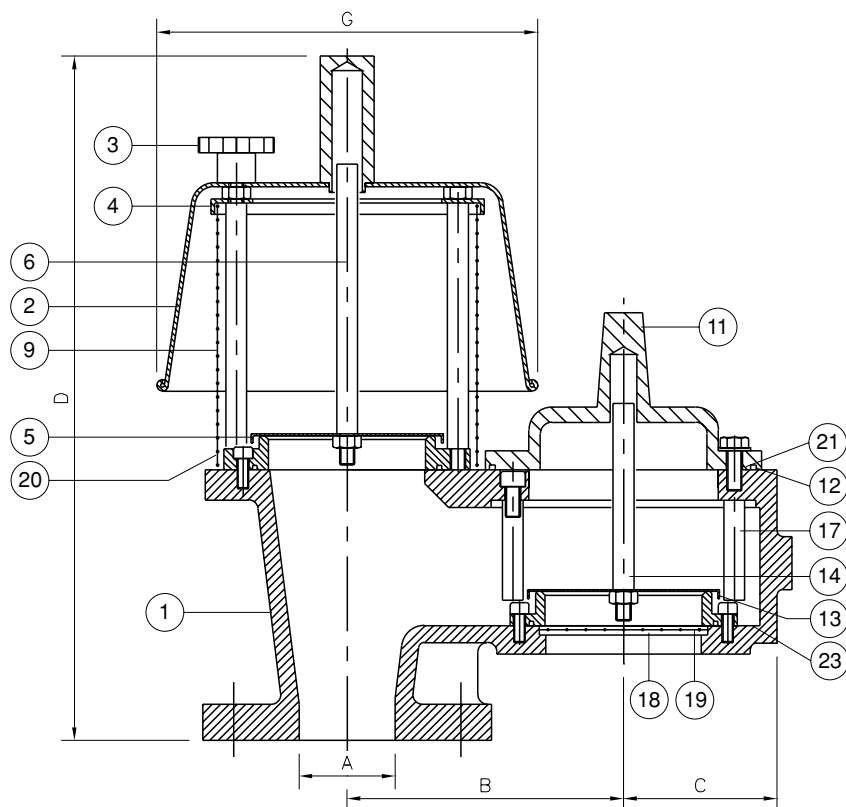
Storage tank farms, Petroleum & chemical
Protection of anaerobic waste digesters.

Technical data

Min. pressure set	: 2.5 mbar
Max. pressure set	: 3.5 bar
Min. vacuum set	: 2.5 mbar
Max. vacuum set	: 800 mbar
Sizes inch	: 2 - 12
Sizes mm	: 50 - 300

Series 4020A Pressure and Vacuum Relief Valves

Vent to atmosphere. Dimensions and weights



4020A Weight loaded

Dimensions Weight loaded valves

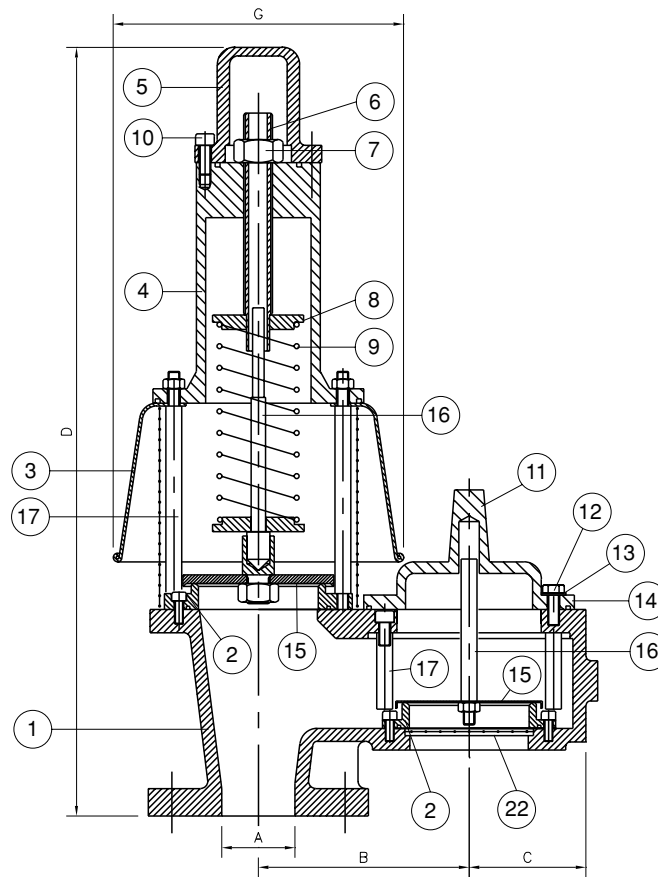
Nom. size	A	B	C	D	G
50/2"	50.8	146	81	362	202
80/3"	76.2	185	100	393	253
100/4"	101.6	213	118.5	421	303
150/6"	152.4	280	142.5	477	392
200/8"	203.2	335	173	584	535
250/10"	254	397	202	639	620
300/12"	304.8	450	235	677	682

Weights Weight loaded valves

	2"	3"	4"	6"	8"	10"	12"
Aluminium	6	8	12	20	33	50	66
Cast iron	12	16	25	42	68	105	138
CS/SS	19	29	40	52	80	137	185

Parts list

Item	Description	Alum Spec	C.Steel	S.S.Spec	C.Iron
1	Valve Body	Alum	W.C.B	316 SS	C.Iron
2	Weather hood	Alum	Steel	Steel	Steel
3	Wh/hood handnuts	Phenolic	Phenolic	Phenolic	Phenolic
4	Spacer Ring	Alum	Steel	316 SS	Steel
5	Press Pallet	316 SS	316 SS	316 SS	316 SS
6	Press Pallet stem	316 SS	316 SS	316 SS	316 SS
7	Diaphragm	PTFE	PTFE	PTFE	PTFE
8	Diaphragm back/disc	Non Abestos	Non Abestos	Non Abestos	Non Abestos
9	Press. Guide Posts	316 SS	316 SS	316 SS	316 SS
10	Diaphragm suport disc	316 SS	316 SS	316 SS	316 SS
11	Vacuum cover	Alum	W.C.B	316 SS	C.Iron
12	O'ring Seal	Nitrile	Nitrile	Nitrile	Nitrile
13	Vacuum Pallet	316 SS	316 SS	316 SS	316 SS
14	Vac.pallet stem	316 SS	316 SS	316 SS	316 SS
15	Vac.pallet diaph.	PTFE	PTFE	PTFE	PTFE
16	Vac.pallet back.disc	Non Abestos	Non Abestos	Non Abestos	Non Abestos
17	Vac.pallet Guide Posts	316 SS	316 SS	316 SS	316 SS
18	Vac. Screen	18/8 SS	18/8 SS	18/8 SS	18/8 SS
19	Vac.Screen Retaining Ring	Alum	Steel	316 SS	Steel
20	Pressure Screen	18/8 SS	18/8 SS	18/8 SS	18/8 SS
21	Sealing Washer	Nylon	Nylon	Nylon	Nylon
22	Spacer Disc	Non Abestos	Non Abestos	Non Abestos	Non Abestos
23	Sealing Washers	G.Fibre	G.Fibre	G.Fibre	G.Fibre



4020A Spring loaded

Weights Spring loaded Valves

	2"	3"	4"	6"	8"	10"	12"
Aluminium	8	11	17	28	43	62	80
Cast iron	18	24	35	54	83	125	168
CS/SS	26	40	52	75	100	167	226

Dimensions Spring loaded Valves

Nom. size	A	B	C	D	G
50/2"	50.8	146	81	533	202
80/3"	76.2	185	100	564	253
100/4"	101.6	213	118.5	591	303
150/6"	152.4	280	142.5	659	392
200/8"	203.2	335	173	707	535
250/10"	254	397	202	810	620
300/12"	304.8	450	235	826	682

Parts list

Item	Description	C.Steel	S.S.Spec
1	Valve Body	W.C.B	316 SS
2	Renovable Seat	316 SS	316 SS
3	Weatherhood	C.Steel	316 SS
4	Spring bonnet	W.C.B	316 SS
5	Bonnet Cap	W.C.B	316 SS
6	Adjustment Screw	316 SS	316 SS
7	Locknut	18/8 SS	18/8 SS
8	Spring Washers	316 SS	316 SS
9	Spring	316 SS	316 SS
10	Cap Screws	ZP Steel	18/8 SS
11	Cover	W.C.B	316 SS
12	Cover Screws	ZP Steel	18/8 SS
13	Sealing Washers	G.Fibre	G.Fibre
14	O'Ring Seal	Nitrile	Nitrile
15	Pallet	316 SS	316 SS
16	Pallet Stem	316 SS	316 SS
17	Pallet Guide Posts	316 SS	316 SS
18	Spacer Disc	Non Abestos	Non Abestos
19	Diaphragm Back.Disc	Non Abestos	Non Abestos
20	Diaphragm	PTFE	PTFE
21	Diaphragm supp.Disc	316 SS	316 SS
22	Screen	GALV ST	18/8 SS

Series 4020A Pressure and Vacuum Relief Valves

Vent to atmosphere

Max./min. set Weight loaded

Min. set pressure	2.5 mbar
Min. set vacuum	2.5 mbar
Max. set pressure	70 mbar
Max. set vacuum	60 mbar

Max./min. set Spring loaded

Min. set pressure	70 mbar
Min. set vacuum	60 mbar
Max. set pressure	3.5 barg
Max. set vacuum	800 mbar

4020A Weight loaded pressure flow figures

Set Pressure mbar	2"			3"			4"			6"			8"			10"			12"		
	Over Pressure			Over Pressure			Over Pressure			Over Pressure			Over Pressure			Over Pressure			Over Pressure		
	20%	35%	50%	20%	35%	50%	20%	35%	50%	20%	35%	50%	20%	35%	50%	20%	35%	50%	20%	35%	50%
2.5	88	112	133	197	252	299	351	448	532	789	1009	1198	1403	1793	2129	2192	2802	3327	3157	4035	4791
10	175	224	266	395	504	599	702	897	1065	1579	2018	2395	2806	3587	4258	4385	5605	6654	6314	8071	9581
25	277	354	421	624	798	947	1109	1418	1683	2496	3190	3787	4437	5671	6733	6933	8862	10520	9983	12761	15149
50	392	501	595	882	1128	1339	1569	2005	2380	3530	4512	5356	6275	8021	9522	9805	12532	14878	14119	18046	21424
60	430	549	652	967	1236	1467	1718	2197	2608	3867	4942	5867	6874	8786	10431	10741	13728	16298	15466	19769	23469

Flow in m³/hr

4020A Weight loaded vacuum flow figures

Set Vacuum mbar	2"			3"			4"			6"			8"			10"			12"		
	Over Pressure			Over Pressure			Over Pressure			Over Pressure			Over Pressure			Over Pressure			Over Pressure		
	20%	35%	50%	20%	35%	50%	20%	35%	50%	20%	35%	50%	20%	35%	50%	20%	35%	50%	20%	35%	50%
2.5	44	58	75	99	131	168	175	232	298	395	523	671	702	929	1194	1096	1451	1865	1579	2090	2686
10	88	116	149	197	261	336	351	464	597	789	1045	1343	1403	1858	2387	2192	2903	3730	3157	4180	5371
25	139	184	236	312	413	531	555	734	944	1248	1652	2123	2219	2938	3775	3466	4590	5898	4992	6610	8493
50	196	260	334	441	584	751	784	1039	1335	1765	2337	3003	3138	4154	5338	4902	6491	8341	7059	9347	12011
60	215	284	365	483	640	822	859	1138	1462	1933	2560	3289	3437	4551	5847	5370	7111	9137	7733	10240	13157

Flow in m³/hr

4020A Spring loaded pressure flow figures

Set Pressure mbar	2"			3"			4"			6"			8"			10"			12"		
	Over Pressure			Over Pressure			Over Pressure			Over Pressure			Over Pressure			Over Pressure			Over Pressure		
	20%	35%	50%	20%	35%	50%	20%	35%	50%	20%	35%	50%	20%	35%	50%	20%	35%	50%	20%	35%	50%
150	275	376	443	619	847	996	1100	1505	1771	2475	3386	3985	4399	6020	7084	6874	9407	11069	9899	13546	15940
250	355	486	572	800	1094	1288	1422	1946	2290	3199	4378	5151	5687	7783	9158	8886	12161	14310	12796	17511	20606
500	503	688	809	1131	1548	1821	2011	2752	3238	4524	6191	7285	8043	11007	12952	12567	17198	20237	18097	24765	29141
750	615	842	991	1384	1894	2229	2461	3368	3963	5537	7578	8917	9844	13471	15852	15381	21049	24768	22149	30310	35666

Flow in m³/hr

4020A Spring loaded vacuum flow figures

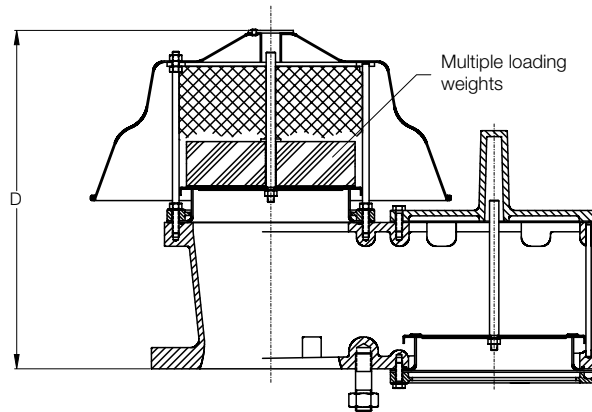
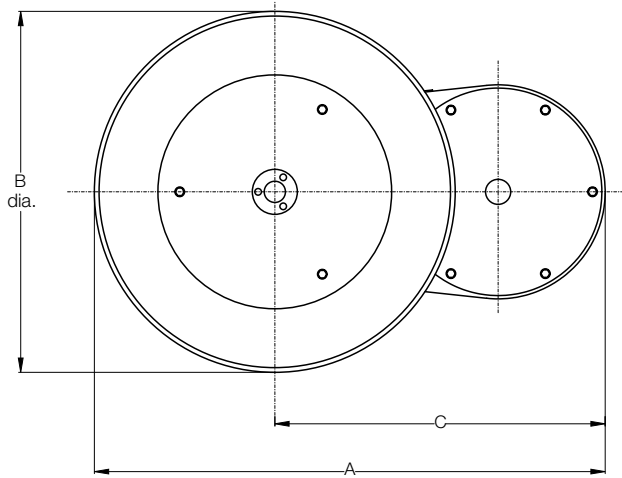
Set Vacuum mbar	2"			3"			4"			6"			8"			10"			12"		
	Over Pressure			Over Pressure			Over Pressure			Over Pressure			Over Pressure			Over Pressure			Over Pressure		
	20%	35%	50%	20%	35%	50%	20%	35%	50%	20%	35%	50%	20%	35%	50%	20%	35%	50%	20%	35%	50%
150	184	251	301	414	565	676	736	1005	1202	1657	2261	2705	2946	4019	4809	4602	6280	7514	6627	9043	10820
250	238	325	389	535	731	874	952	1299	1554	2142	2923	3497	3808	5196	6217	5950	8118	9714	8567	11690	13987
500	337	459	549	757	1033	1236	1346	1837	2198	3029	4133	4945	5385	7348	8792	8414	11481	13737	12116	16532	19781
750	412	562	673	927	1265	1513	1648	2248	2690	3707	5059	6053	6591	8993	10760	10298	14051	16813	14829	20234	24211

Flow in m³/hr

Features

- Aluminium construction
- Vent to atmosphere
- Oversize pressure and vacuum ports
- Replaceable pressure and vacuum ports
- 2 - 12 inch sizes
- ANSI Flanges
- Low leakage
- Settings 1.5 - 700 mbar

The 2010 Series Pressure and Vacuum Relief Valve is designed for use on atmospheric and low pressure storage tanks to provide tank breathing during normal operations.



Dimensions 2010 light weight aluminium pressure and vacuum valve in mm

Nominal size inch	2	3	4	6	8	10	12
Nominal size mm	50	75	100	150	200	250	300
A	324	416	486	610	759	976	1173
B	216	273	340	432	524	686	864
C	216	279	314	394	497	633	741
D	229	270	321	391	465	613	711
Shipping weight Kg	13	21	30	40	60	104	142