



WHESSOE

The Whessoe - Varec Vapour Control range of Pressure and Vacuum relief valves cover a wide range of settings and materials to satisfy all the requirements of the liquid storage industry.

Features

- Pressure settings 2.5 mbar to 3.5 bar
- Vacuum settings 2.5 mbar to 800 mbar
- Weight or spring loaded
- Sizes 2" (50mm) to 12" (300mm)
- Body materials aluminium, SG Iron, carbon steel, stainless steel
- Vent to atmosphere or pipeaway
- Stainless steel removable seats
- Low ambient temperature version
- Full flange
- ANSI and DIN flanges
- Self draining body



Whessoe - Varec Vapour Control are constantly developing their range of products, therefore additional sizes, additional materials and settings outside the normal range can be offered. Please contact the sales office with your requirements.

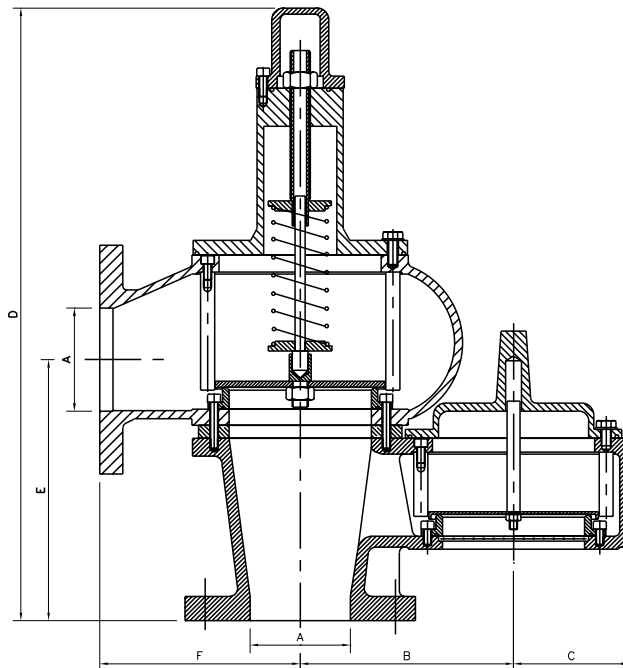
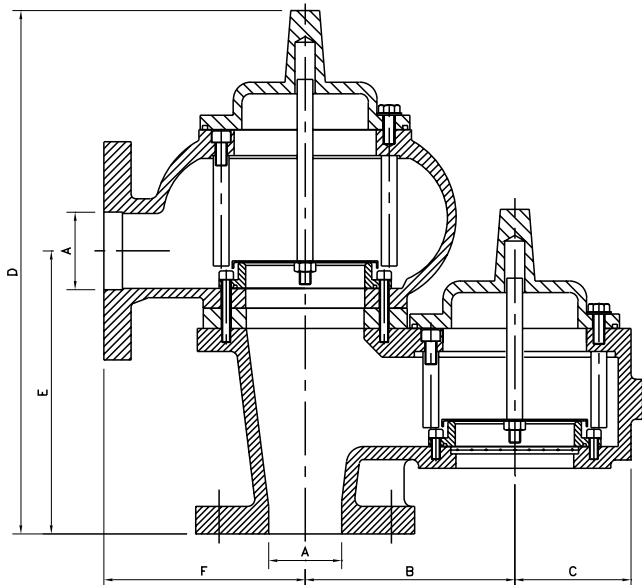
General application

Storage tank farms, Petroleum & chemical
Protection of anaerobic waste digester.

Technical data

Min. pressure set	: 2.5 mbar
Max. pressure set	: 3.5 bar
Min. vacuum set	: 2.5 mbar
Max. vacuum set	: 800 mbar
Sizes inch	: 2 - 12
Sizes mm	: 50 - 300

4020A Pipeway pressure and vacuum relief valve dimensions and weight



4020A Weight loaded

4020A Spring loaded

Dimensions weight loaded valve

Nom. size	A	B	C	D	E	F
50/2"	50.8	146	81	364	197	140
80/3"	76.2	185	100	424	238	180
100/4"	101.6	213	118.5	472	261	200
150/6"	152.4	280	142.5	517	308	242
200/8"	203.2	335	173	590	362	310
250/10"	254	397	202	650	400	358
300/12"	304.8	450	235	725	435	393

Weights weight loaded valve

	2"	3"	4"	6"	8"	10"	12"
Aluminium	9	12	18	32	50	76	101
SG Iron	21	30	45	77	123	188	248
Steel/St.St.	41	60	85	113	168	250	346

Dimensions spring loaded valve

Nom. size	A	B	C	D	E	F
50/2"	50.8	146	81	528	197	140
80/3"	76.2	185	100	571	238	180
100/4"	101.6	213	118.5	612	261	208
150/6"	152.4	280	142.5	670	310	242
200/8"	203.2	335	173	730	362	310
250/10"	254	397	202	831	400	358
300/12"	304.8	450	235	870	435	393

Weights spring loaded valve

	2"	3"	4"	6"	8"	10"	12"
Aluminium	11	16	25	40	60	88	115
SG Iron	27	38	55	89	138	208	278
Steel/St.St.	48	70	97	125	188	280	385

4020A Pipeaway pressure and vacuum relief valve

Max./min. set weight loaded

Min. set pressure	2.5 mbar
Min. set vacuum	2.5 mbar
Max. set pressure	70 mbar
Max. set vacuum	60 mbar

Max./min. set spring loaded

Min. set pressure	70 mbar
Min. set vacuum	2.5 mbar
Max. set pressure	3.5 barg
Max. set vacuum	800 mbar

4020A Weight loaded pressure flow figures

Set Pressure mbar	2"			3"			4"			6"			8"			10"			12"		
	Over Pressure			Over Pressure			Over Pressure			Over Pressure			Over Pressure			Over Pressure			Over Pressure		
	20%	35%	50%	20%	35%	50%	20%	35%	50%	20%	35%	50%	20%	35%	50%	20%	35%	50%	20%	35%	50%
2.5	38	52	72	84	116	161	150	206	286	338	464	644	601	825	1146	939	1289	1790	1352	1856	2577
10	75	103	143	169	232	322	300	412	573	676	928	1289	1202	1650	2291	1877	2578	3580	2704	3712	5155
25	119	163	226	267	367	509	475	652	906	1069	1467	2038	1900	2608	3622	2969	4076	5660	4275	5869	8151
50	168	231	320	378	519	720	672	922	1281	1511	2075	2882	2687	3689	5123	4198	5764	8005	6045	8300	11527
60	184	253	351	414	568	789	736	1010	1403	1656	2273	3157	2943	4041	5612	4599	6314	8769	6622	9092	12627

Flow in m³/hr

4020A Weight loaded vacuum flow figures

Set Vacuum mbar	2"			3"			4"			6"			8"			10"			12"		
	Over Pressure			Over Pressure			Over Pressure			Over Pressure			Over Pressure			Over Pressure			Over Pressure		
	20%	35%	50%	20%	35%	50%	20%	35%	50%	20%	35%	50%	20%	35%	50%	20%	35%	50%	20%	35%	50%
2.5	44	58	75	99	131	168	175	232	298	395	523	671	702	929	1194	1096	1451	1865	1579	2090	2686
10	88	116	149	197	261	336	351	464	597	789	1045	1343	1403	1858	2387	2192	2903	3730	3157	4180	5371
25	139	184	236	312	413	531	555	734	944	1248	1652	2123	2219	2938	3775	3466	4590	5898	4992	6610	8493
50	196	260	334	441	584	751	784	1039	1335	1765	2337	3003	3138	4154	5338	4902	6491	8341	7059	9347	12011
60	215	284	365	483	640	822	859	1138	1462	1933	2560	3289	3437	4551	5847	5370	7111	9137	7733	10240	13157

Flow in m³/hr

4020A Spring loaded pressure flow figures

Set Pressure mbar	2"			3"			4"			6"			8"			10"			12"		
	Over Pressure			Over Pressure			Over Pressure			Over Pressure			Over Pressure			Over Pressure			Over Pressure		
	20%	35%	50%	20%	35%	50%	20%	35%	50%	20%	35%	50%	20%	35%	50%	20%	35%	50%	20%	35%	50%
150	185	255	316	417	575	712	741	1022	1266	1666	2299	2848	2963	4086	5064	4629	6385	7912	6666	9194	11393
250	239	330	409	539	743	921	957	1321	1636	2154	2971	3682	3830	5282	6546	5984	8254	10228	8617	11885	14728
500	339	467	579	762	1051	1302	1354	1868	2314	3047	4202	5207	5416	7470	9257	8463	11673	14464	12187	16808	20829
750	414	571	708	932	1286	1593	1657	2286	2833	3729	5143	6373	6629	9143	11330	10358	14286	17703	14915	20572	25493

Flow in m³/hr

4020A Spring loaded vacuum flow figures

Set Vacuum mbar	2"			3"			4"			6"			8"			10"			12"		
	Over Pressure			Over Pressure			Over Pressure			Over Pressure			Over Pressure			Over Pressure			Over Pressure		
	20%	35%	50%	20%	35%	50%	20%	35%	50%	20%	35%	50%	20%	35%	50%	20%	35%	50%	20%	35%	50%
150	184	251	301	414	565	676	736	1005	1202	1657	2261	2705	2946	4019	4809	4602	6280	7514	6627	9043	10820
250	238	325	389	535	731	874	952	1299	1554	2142	2923	3497	3808	5196	6217	5950	8118	9714	8567	11690	13987
500	337	459	549	757	1033	1236	1346	1837	2198	3029	4133	4945	5385	7348	8792	8414	11481	13737	12116	16532	19781
750	412	562	673	927	1265	1513	1648	2248	2690	3707	5059	6053	6591	8993	10760	10298	14051	16813	14829	20234	24211

Flow in m³/hr

tyco
Flow Control

Contact your local representative

WHESOE
VAREC

Tel +44 (0) 161 703 1990
Fax +44 (0) 161 703 1847
E-mail: sps@tyco-valves.com