

WHESSOE

The Whessoe - Varec Vapour Control range of flame arresters are designed for use in conjunction with Whessoe pressure and vacuum valves or as an end of line flame arrester.

Features

- 3 times nett free area for low pressure drop
- Crimped ribbon design
- Removable element for easy cleaning
- Sizes 2" (50mm) to 12" (300mm)
- Body materials aluminium, SG Iron, carbon steel, stainless steel
- Stainless steel element
- Aluminium element as option
- Full flange
- ANSI and DIN flanges
- Condensate drain plugs
- Weather hood option
- 4319 free vent flame arrester



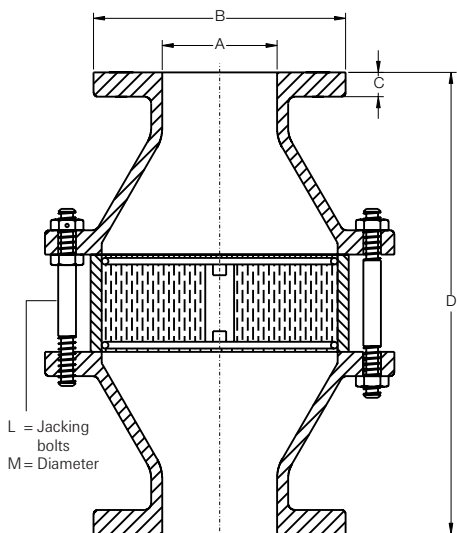
Whessoe - Varec Vapour Control are constantly developing their range of products, therefore additional sizes, additional materials and settings outside the normal range can be offered. Please contact the sales office with your requirements.

General application

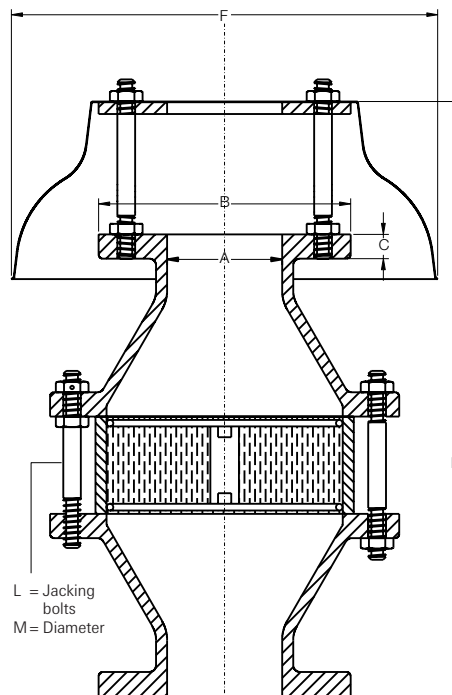
Storage tank farms
Petroleum & chemical
Methane gas production
in waste digesters

Technical data

Gas group	: II a
Sizes inch	: 2 - 12
Size mm	: 50-300
Certification	: BS 7244



Flame arrester



Flame arrester with weather hood

4301 Flame arrester dimensions

A	B	C	D	E	F	L	M
mm	mm	mm	mm	mm	mm	no.	mm
57	165	22	333	445	305	2	16
79	200	22	406	534	343	2	16
105	229	22	455	648	343	2	16
159	286	25	521	700	394	2	20
210	340	25	641	832	508	2	20
260	432	35	772	1000	635	2	24
305	486	35	940	1200	750	2	24

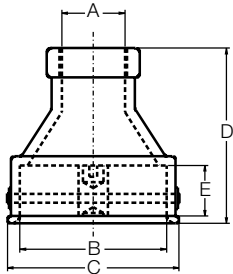
4301 Flame arrester weights - Kg.

Nominal Size	mm	50	80	100	150	200	250	300
	inch	2	3	4	6	8	10	12
SG Iron / St.St.		19	29	45	45	122	204	286
Steel / St.St.		19	29	45	45	122	204	286
St.St / St.St.		19	29	45	45	122	204	286
Al./Al.		7	12	22	22	51	80	120

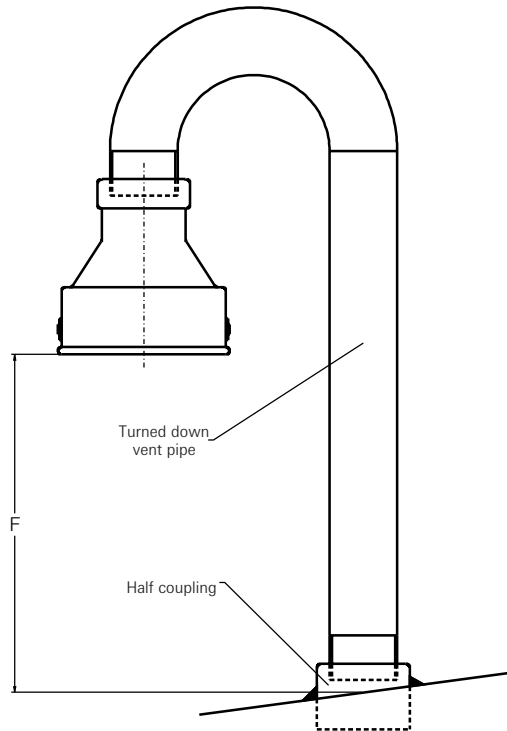
4301 Flame arrester pressure drop/flow

Nominal Size	mm inch	50	80	100	150	200	250	300
		2	3	4	6	8	10	12
50		0,7						
100		3	0,65					
150		6	1,5	0,5				
200		10	2,5	0,9				
300		20	5	1,8	0,6			
400		35	8	3	1,4	0,6		
500		50	13	4,5	2	0,8		
600			17	6	2,7	1,1		
700			24	8	3,5	1,5	0,6	
800			30	10	4,4	1,9	0,75	
1000			45	15	6,2	2,6	1,2	0,5
2000				48	20	8	5,5	1,5
3000					40	17	7,3	3,2
4000					63	27	12	5
5000						40	17	7,7
6000						55	24	11
7000						70	30	14
8000							38	17
9000							47	21
10000							58	25
20000								80

Pressure drop mbar (either pressure or vacuum flow)



Flame arrester



Flame arrester with turn down vent pipe

4319 Flame arrester dimensions

Nominal Size A		B	C	D	E	F
mm	inch	mm	mm	mm	mm	mm
50	2	130	152	155	44,5	305
80	3	173	197	181	44,5	305

4319 Flame arrester weights - Kg.

Nominal Size	mm	50	80
Size	inch	2	3
SG Iron / St.St.		12	25
SG Iron / Al.		6	18