



WHESSOE

A Flame Arrester is a passive explosion protection device designed to prevent the propagation of a flame.

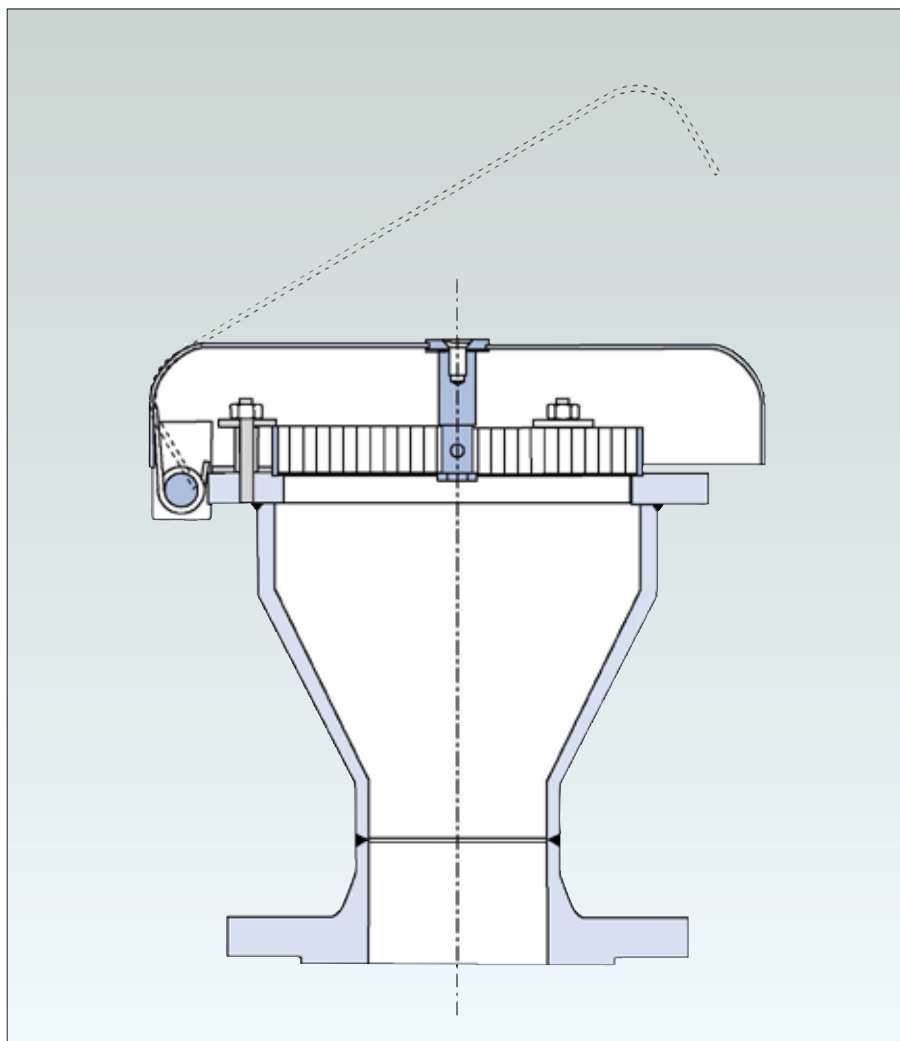
General

Developed in our in-house Research and Development laboratory, the 500B is a End-of-Line Endurance Burn Flame Arrester mounted on tanks or on the end of discharge pipes to stop flames entering the process.

Stabilised burning is the steady burning of a flame stabilised at or close to the flame arrester element. The 500B allows for stabilised burning for an unspecified time.

Features & Benefits

- Fabricated design
- Replaceable element design
- Advanced crimp metal construction
- Suitable for endurance burning



Approvals

The 500B is fully approved and certified to the following internationally recognised standards:

- ISO 9001:2008
- Pressure Equipment Directive (PED) 97/23/EC
- ATEX Directive 94/9/EC

End-of-Line Short Burn Flame Arrester

Model 500B

Materials and flange options

Materials

Carbon St. and Stainless St.

Flange drilling

ANSI 150# RF, PN10 RF, PN16 RF

Note: Special material and flanges are available on request.

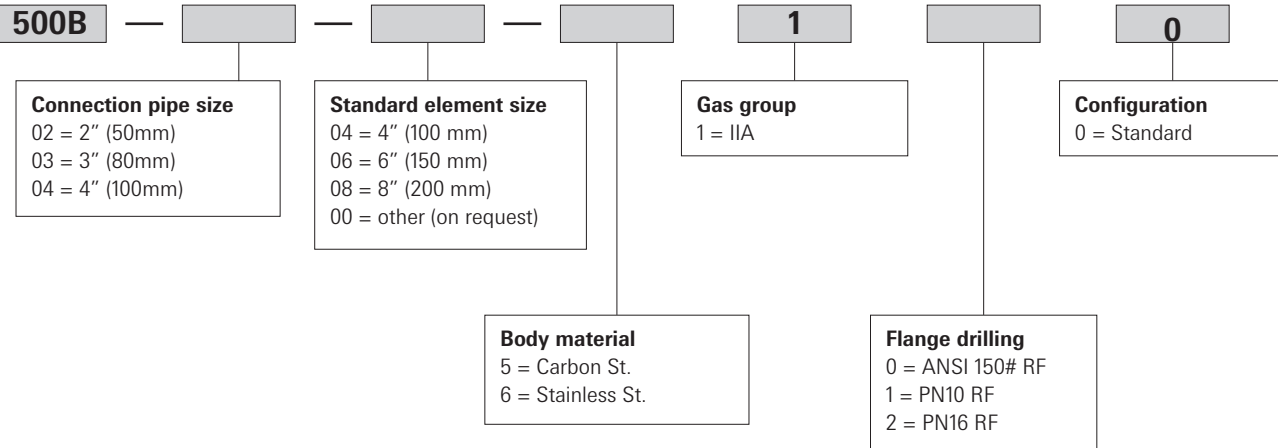
Connection pipe size

- 2" x 4"
- 3" x 6"
- 4" x 8"

Gas groups

- IIA
- Only available for hydrocarbon gas

Figure numbering system



Notes

All sizing and selection must be conducted by the factory.
Standard elements are double the pipe size.

Flame arrester inquiry form

Please complete this form with as much detail as possible and contact your local Pentair Sales Office with your requirements. Please visit our website for contact details.

Contact details	
Name :	Tel. :
Company :	Fax :
Position :	Email :

Specifications	
Size (please circle)	: 2" 3" 4" 6" 8" 10" 12"
Type of flame arrester	: End of line
Materials* (please circle)	: Carbon steel Stainless steel
Flange* (please circle)	: ANSI 150 RF PN10 RF PN16 RF
Gas group	: IIA
Flow rates	:
Maximum allowable pressure drop	:
Distance to source of ignition	:

*Specials available on request
Accessories also available on request