

Hymax[®]

Couplings



Krausz[®]



Hymax®



...The Proven Time-Savers

** For Water and Sewerage Applications, above and below ground*

** Inventory Reduction*

** Joins Pipe with Diameter Differences of up to 33 mm (54 mm on the 350 mm ND and above)*

** Superior Two Stage Sealing Capabilities*

** Easy Fitting... one bolt to tighten per end*

** Lightweight... can be handled by one person*

** High Deflection-8 degrees*

** Stab type installation (no disassembly required)*

** Standard long body to allow for more pipe end gap*

** 16 bar Working Pressure*

** Meets and Exceeds international standards*



Hymax coupling



Hymax reducer



Hymax outlet



Hymax flanged outlet

Pipe Repair Couplings and Reducers

The Hymax coupling line is suited to a **wide range** of pipe joining conditions, and each size will replace between three and four dedicated size coupling in your inventory.

Each coupling will join pipes with **diameter differences up to 33 mm**. Reducers Hymax couplings can handle pipe diameter differences of up to 50 mm in nominal diameter. In addition, the Hymax coupling can handle **pipe end gaps up to 185 mm**, and will accommodate **angular deflection of up to 8 degrees**.

The Hymax offers an efficient range adjustable pressure assisted **Hydraulic Sealing system**, and is **Compounded of an EPDM material**.

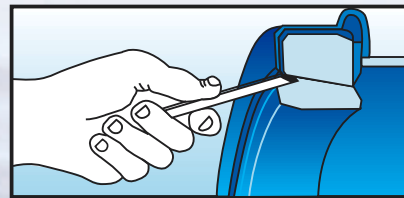
The Hymax is a **stab type** coupling requiring **no disassembly**. The installer simply adjusts the gasket, and tightens **one bolt on each end** of the coupling to the required torque. All work is performed from the **topside** of the coupling, eliminating the need for extra excavation and under-dig for the wrench.

The Hymax is easily handled by one person due to the durable nature of its superior **lightweight** materials of construction. The coupling is equipped with a corrosion resistant coating of **fusion-bonded epoxy**, and comes with **stainless steel spanner, nuts and bolts**.

The 2-layered gasket provides a built-in wide range.

1. The low range is provided by the 2-layered gasket.
2. Removing the inner layer enables the high range.

Each side self-seals



Hymax® Couplings Specification

Materials:

Carbon Steel RST-37.2 with Fusion-bonded Epoxy Coating

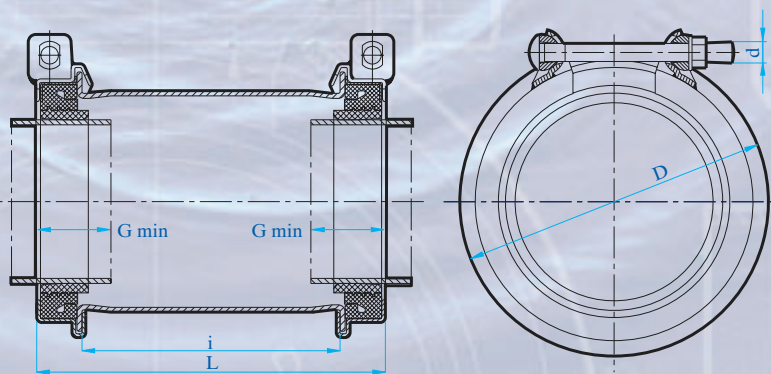
Bolts and Nuts:

304 grade Stainless Steel with coated nuts and anti-seize compound

Pressure Assisted Gasket:

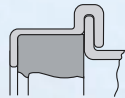
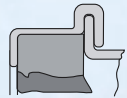
EPDM gasket. Compound approved for contact with drinking water and sewerage.

The gasket is made in two layers, with a removable inner layer that allows for pipe diameter range expansion.



Hymax®

Couplings



Nominal Diameter	Overall Range	Before removal the inner layer	After removal the inner layer	D	L	i	d	Approx. Weight
(mm/inch)	(mm)	(mm)	(mm)	(mm)	(mm)	(mm)	(mm)	(kg)
50/2"	54-77	54-66	65-77	ø133	170	100	M12	2.8
80/3"	88-110	88-99	98-110	ø170	220	150	M12	3.2
100/4"	108-143	108-126	125-143	ø220	223	150	M14	7.5
125/5"	130-162	130-146	145-162	ø240	275	205	M14	8.5
150/6"	158-190	158-174	173-190	ø270	275	205	M14	9.3
150/6" o.s.	163-195	163-179	178-195	ø273	275	205	M14	9.3
175/7"	190-222	190-206	205-222	ø298	275	205	M14	9.4
200/8"	217-250	217-233	232-250	ø328	275	205	M14	10.3
250/10"	272-305	272-289	288-305	ø382	275	205	M14	12.7
250/10" o.s.	278-311	278-295	294-311	ø388	275	205	M14	13.0
300/12"	315-347	315-331	330-347	ø422	275	205	M14	14.0
300/12" o.s.	334-366	334-350	349-366	ø440	275	205	M14	15.0

Hymax details for 350 mm and above see our Hymax large diameter catalog

Note: G=Min. Pipe Insertion of 55 mm
 Working Pressure: 16 atm.
 Max. Working Temperature: 100°C

Warning: When pipe pull out can occur, the pipe ends must be anchored. Failure to restrain the pipe ends may result in loss of line content and cause property damage, injury or death.

Warning: This product should not be used on natural gas or other types of gas piping. Use of this product on flammable gas may cause property damage injury or death.

*Hymax is a patented product developed by Krausz Industries Ltd. The Hymax Trademark is the property of Krausz Industries Ltd.

Krausz *Krausz Industries Ltd.*
 6 Hapatish st., Tel-Aviv, Israel.
 Tel: 03-5154000, Fax: 03-6821572.
 E-mail: int@krausz.com