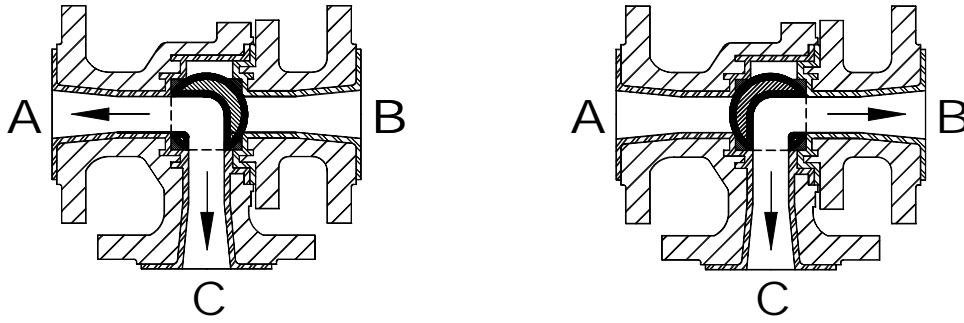


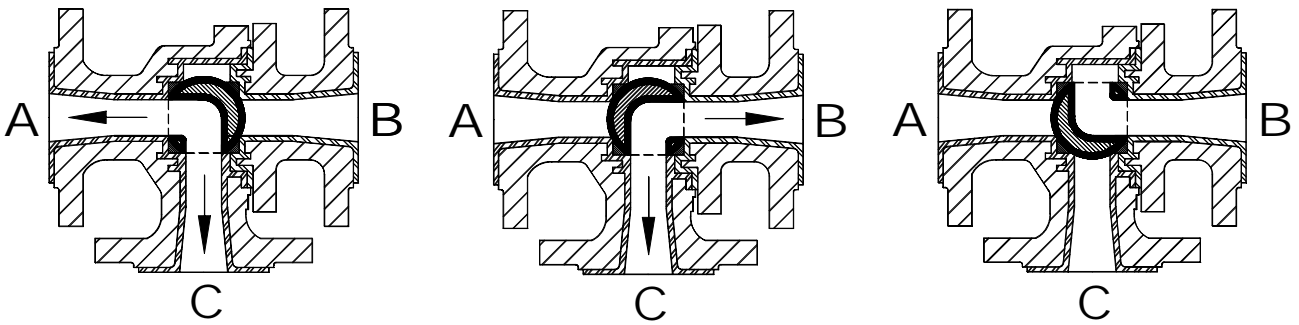
PRODUCT DATA SHEET  
 AMP3L & AMP3T 3 WAY LINED BALL VALVE  
 PORT CONFIGURATION

ES1072	
Date 6/99	Issue
Sheet 1 of 3	1

AMP3L BALL VALVE



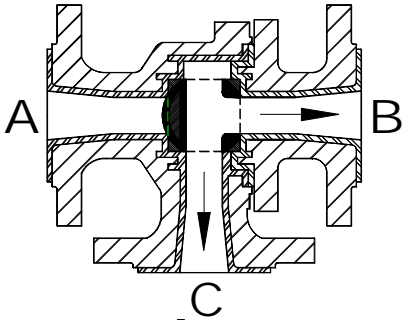
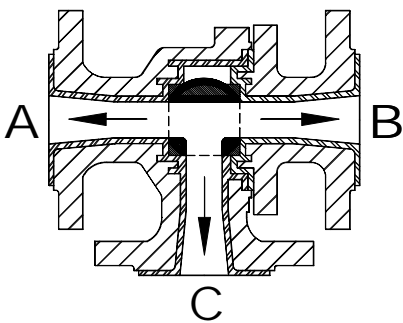
VERSION 1 90°



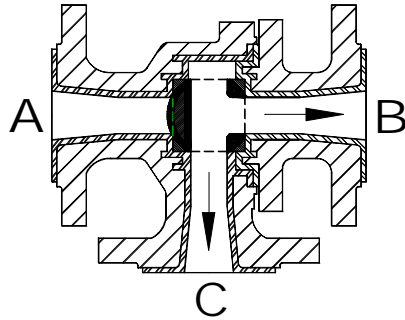
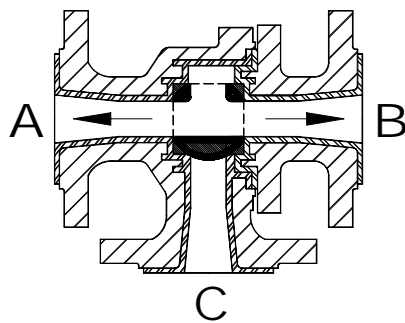
VERSION 1.1 180°

AMP3T BALL VALVE

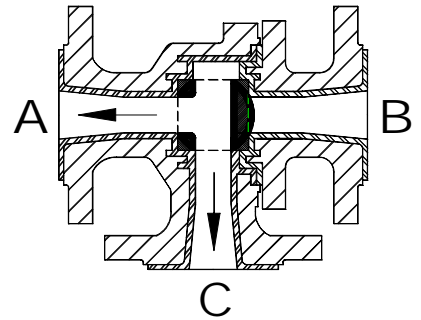
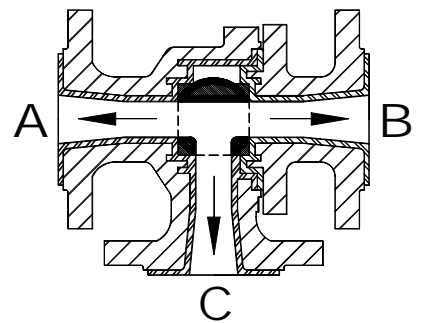
VERSION 2  
90° OPERATION



VERSION 3  
90° OPERATION



VERSION 4  
90° OPERATION

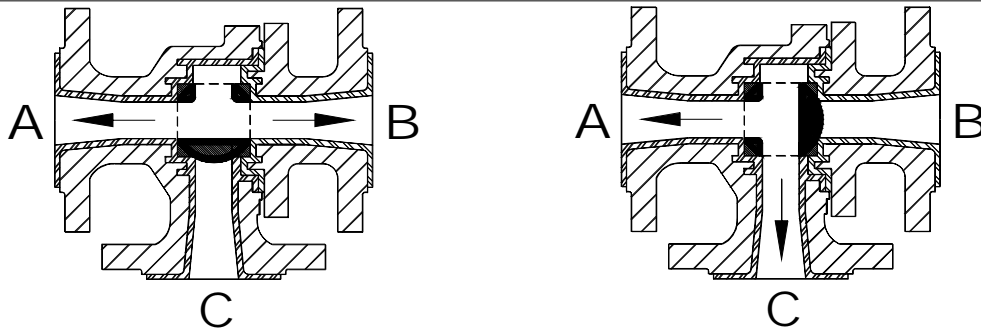


Certificate No...20/92....

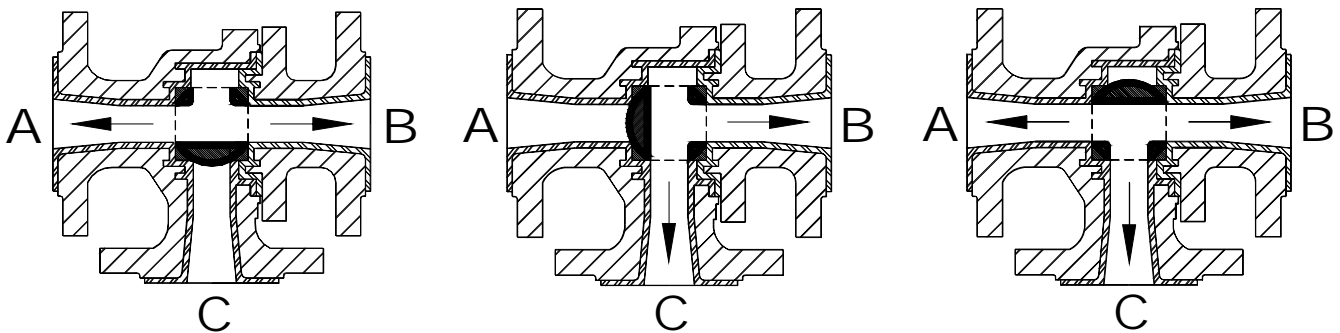
PRODUCT DATA SHEET  
 AMP3L & AMP3T 3 WAY LINED BALL VALVE  
 PORT CONFIGURATION

ES1072	
Date 6/99	Issue
Sheet 2 of 3	1

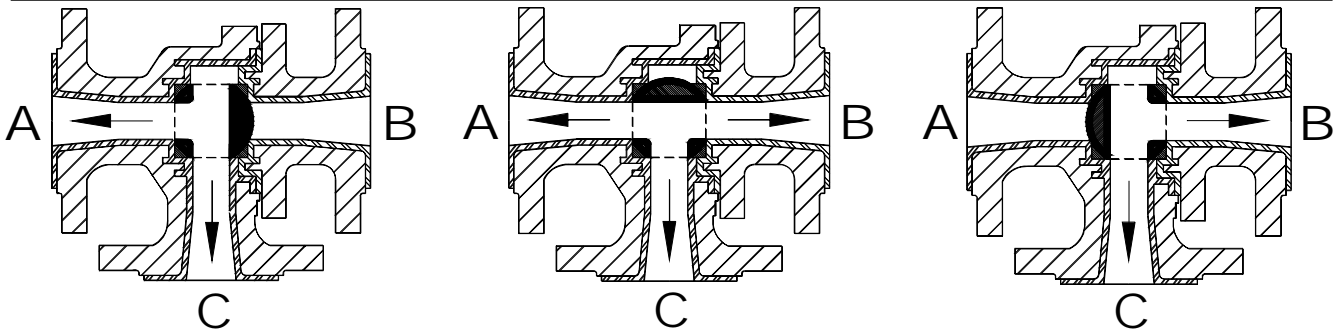
AMP3T BALL VALVE CONTINUED



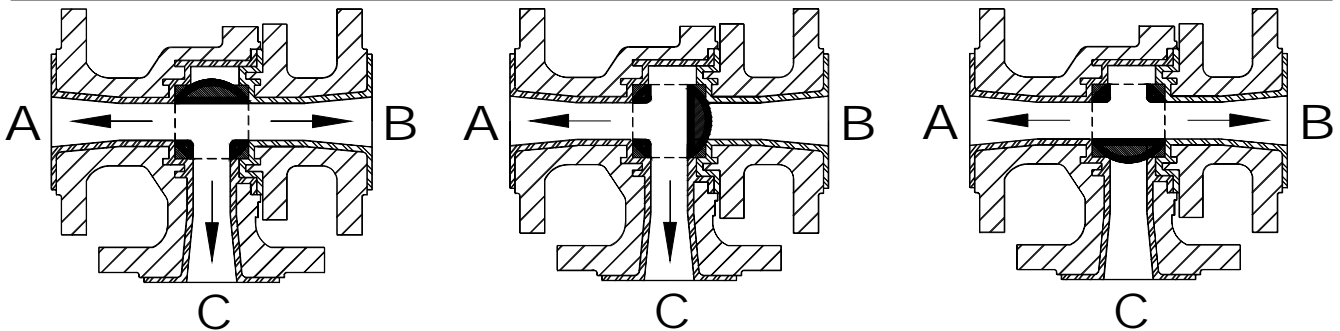
VERSION 5 90° OPERATION



VERSION 6 180° OPERATION



VERSION 7 180° OPERATION



VERSION 8 180° OPERATION



Certificate No...20/92.....

PRODUCT DATA SHEET  
 AMP3L & AMP3T 3 WAY LINED BALL VALVE  
 PORT CONFIGURATION

ES1072	
Date 6/99	Issue
Sheet 3 of 3	1

Valve with DIN 33202 series F1 face to face dimensions with ASME 150 flange connections.

Valve Type	Port Configuration	FEP LINED PART NO	PFA LINED PART NO.
AMP3L	VERSION 1	9316-11-0000(NB)	9316-21-0000(NB)
AMP3L	VERSION 1.1	9316-11-1800(NB)	9316-21-1800(NB)
AMP3T	VERSION 2	9316-11-0002(NB)	9316-21-0002(NB)
AMP3T	VERSION 3	9316-11-0003(NB)	9316-21-0003(NB)
AMP3T	VERSION 4	9316-11-0004(NB)	9316-21-0004(NB)
AMP3T	VERSION 5	9316-11-0005(NB)	9316-21-0005(NB)
AMP3T	VERSION 6	9316-11-0006(NB)	9316-21-0006(NB)
AMP3T	VERSION 7	9316-11-0007(NB)	9316-21-0007(NB)
AMP3T	VERSION 8	9316-11-0008(NB)	9316-21-0008(NB)

Valve with DIN 33202 series F1 face to face dimensions with DIN 2501 PN10/16 flange connections.

Valve Type	Port Configuration	FEP LINED PART NO	PFA LINED PART NO.
AMP3L	VERSION 1	9316-13-0000(NB)	9316-23-0000(NB)
AMP3L	VERSION 1.1	9316-13-1800(NB)	9316-23-1800(NB)
AMP3T	VERSION 2	9316-13-0002(NB)	9316-23-0002(NB)
AMP3T	VERSION 3	9316-13-0003(NB)	9316-23-0003(NB)
AMP3T	VERSION 4	9316-13-0004(NB)	9316-23-0004(NB)
AMP3T	VERSION 5	9316-13-0005(NB)	9316-23-0005(NB)
AMP3T	VERSION 6	9316-13-0006(NB)	9316-23-0006(NB)
AMP3T	VERSION 7	9316-13-0007(NB)	9316-23-0007(NB)
AMP3T	VERSION 8	9316-13-0008(NB)	9316-23-0008(NB)

The size of valve (NB) can be derived as follows.

NB Look-Up Table

Metric NB	25	40	50	80
Imperial NB	1"	1.1/2"	2"	3"
CRP NB Code	10	15	20	30



Certificate No...2092.....