

FEATURES

- Coaxial-type solenoid operated valve designed for high flow rates with low pressure loss
- Compatible with viscous or abrasive gases and liquids
- Suitable for high pressure applications
- Solenoid operated valve designed for long service life
- Vacuum operation up to 10^{-4} mbar
- The valves satisfy article 3.3 of Pressure Equipment Directive 97/23/EC

GENERAL

| | |
|---|---|
| Differential pressure | 40 bar (B → A : 12 bar) [1 bar = 100 kPa] |
| Maximum viscosity | 500 cSt (mm ² /s) |
| Response time (air operation $\Delta P = 4$ bar) | 3/8 1/2 3/4 1 |
| opening time (ms) | 45 60 105 150 |
| closing time (ms) | 70 130 150 190 |

| fluids (*) | temperature range (TS) | seal materials (*) |
|--|------------------------|-------------------------------|
| air and gas groups 1 & 2 water, oil, liquids groups 1 & 2 | - 20°C to + 100°C | FPM (fluoroelastomer) PTFE |

MATERIALS IN CONTACT WITH FLUID

(*) Ensure that the compatibility of the fluids in contact with the materials is verified

| | |
|-----------------------|-----------------|
| Body | Brass |
| Internal parts | Brass |
| Tube | Stainless steel |
| Seals | FPM /PTFE |
| Disc seal | FPM |

ELECTRICAL CHARACTERISTICS

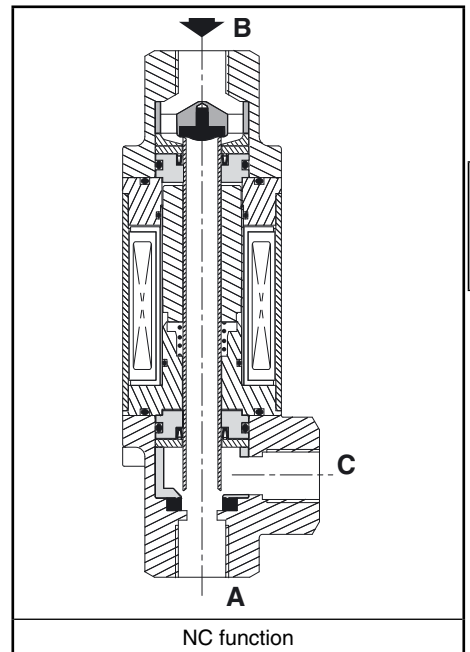
| | |
|--|---|
| Coil insulation class | H |
| Connector (rectifier for AC) | Spade plug (cable \varnothing 6-8 mm) with indicator LED |
| Connector specification | ISO 4400 / EN 175301-803, form A |
| Electrical safety | IEC 335 |
| Electrical enclosure protection | IP65 (EN 60529) |
| Standard voltages | DC (=) : 24V AC (~) : 115V - 230V / 50 Hz |

| prefix option | pipe size | power ratings (integrated coil DC (=), cold) | | | operator ambient temperature range (TS) (C°) | replacement coil | | type ⁽¹⁾ |
|---------------|-----------|--|-------------|--------------|--|------------------|---|---------------------|
| | | 115 V ~ (W) | 230 V ~ (W) | 24 V ~/= (W) | | ~ | = | |
| SC | 3/8 | 40 | 42 | 35 | -20 to + 60 | - | - | 01 |
| | 1/2 | 45 | 55 | 51 | | | | |
| | 3/4 | 62 | 60 | 53 | | | | |
| | 1 | 68 | 69 | 60 | | | | |

⁽¹⁾ Refer to the dimensional drawings on the following page.

SPECIFICATIONS

| pipe size | DN | flow coefficient Kv | | | | min. | operating pressure differential (bar) | | | | power coil (W) | | catalogue number |
|-----------------------------|----|---------------------------|---------------|---------------------------|---------------|------|---------------------------------------|-------|-------|-------|----------------|----|------------------|
| | | | | | | | max. (PS) | | | | | | |
| | | air/gas/water/oil (*) | | | | | B → A | B → A | A ↔ C | A → B | | | |
| G | | A → B (m ³ /h) | A → B (l/min) | A → C (m ³ /h) | A → C (l/min) | | ~ | = | ~/= | ~/= | ~ | = | ~/= |
| NC - Normally closed | | | | | | | | | | | | | |
| 3/8 | 10 | 2,2 | 36,6 | 1,6 | 26,6 | 0 | 12 | 12 | 40 | 40 | 42 | 35 | SCG387A001 |
| 1/2 | 15 | 5,2 | 86,6 | 3,6 | 60 | 0 | 12 | 12 | 40 | 40 | 55 | 51 | SCG387A002 |
| 3/4 | 20 | 7,5 | 125 | 5,6 | 93,3 | 0 | 12 | 12 | 40 | 40 | 60 | 53 | SCG387A003 |
| 1 | 25 | 12,2 | 203,3 | 10,2 | 170 | 0 | 12 | 12 | 40 | 40 | 69 | 60 | SCG387A004 |
| NO - Normally open | | | | | | | | | | | | | |
| 3/8 | 10 | 2,2 | 36,6 | 1,6 | 26,6 | 0 | 12 | 12 | 40 | 40 | 42 | 35 | SCG387A005 |
| 1/2 | 15 | 5,2 | 86,6 | 3,6 | 60 | 0 | 12 | 12 | 40 | 40 | 55 | 51 | SCG387A006 |
| 3/4 | 20 | 7,5 | 125 | 5,6 | 93,3 | 0 | 12 | 12 | 40 | 40 | 60 | 53 | SCG387A007 |
| 1 | 25 | 12,2 | 203,3 | 10,2 | 170 | 0 | 12 | 12 | 40 | 40 | 69 | 60 | SCG387A008 |



E

OPTIONS

- Connector rectifier: 115 V AC, catalogue number: **88122635**; 230 V AC, catalogue number: **88122634**

INSTALLATION

- The solenoid valves can be mounted in any position without affecting operation
- Solenoid valves have 2 mounting holes in body
- Pipe connection identifier is G = G (ISO 228/1)
- Installation/maintenance instructions are included with each valve

SPARE PARTS KIT & ACCESSORIES

| catalogue number | spare parts kit no. | mounting bracket no. |
|------------------|---------------------|----------------------|
| SCG387A001/005 | C140209 | C140130 |
| SCG387A002/006 | C140211 | C140131 |
| SCG387A003/007 | C140213 | C140132 |
| SCG387A004/008 | C140215 | C140133 |

ORDERING EXAMPLES:

| | | | | | |
|----|---|-----|---|-----|--------------|
| SC | G | 387 | A | 001 | 230V / 50 Hz |
| SC | G | 387 | A | 005 | 115V / 50 Hz |
| SC | G | 387 | A | 008 | 24V / DC |

prefix — pipe thread — basic number — voltage — suffix

ORDERING EXAMPLES KITS:

| | |
|---------|---------|
| C140209 | C140213 |
|---------|---------|

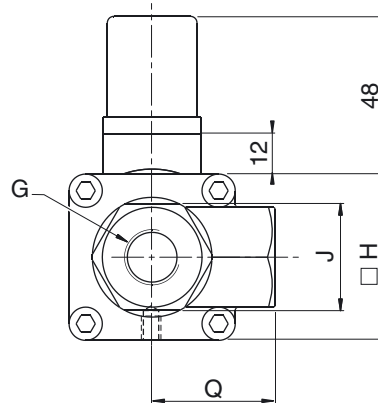
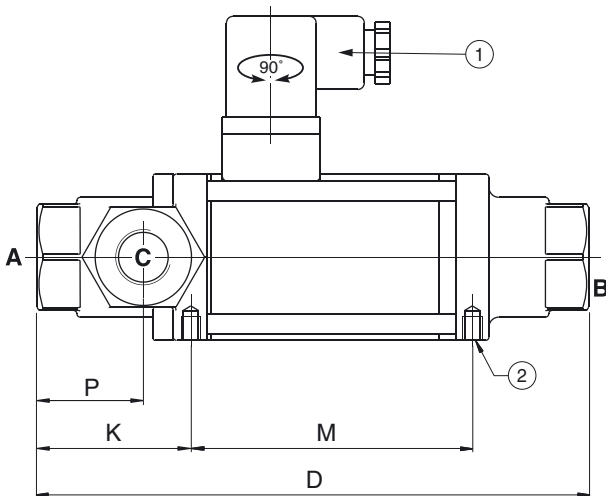
basic number —

DIMENSIONS (mm), WEIGHT (kg)



TYPE 01

Prefix "SC" Solenoid
IEC 335 / ISO 4400
IP65



Pressure inlet:

- NC function = Port B
- NO function = Port C

- ① Connector rectifier for AC (~)
- ② 2 mounting holes Ø M5, depth 7 mm

| type | prefix option | G | D | H | J | K | M | P | Q | X | Y | Z | weight ⁽¹⁾ |
|------|---------------|-----|-----|----|----|----|-----|------|----|----|-----|---|-----------------------|
| 01 | SC | 3/8 | 166 | 50 | 32 | 46 | 85 | 32 | 37 | 24 | 111 | 6 | 2,0 |
| | | 1/2 | 200 | 70 | 41 | 58 | 103 | 38,5 | 60 | 38 | 136 | 6 | 4,1 |
| | | 3/4 | 229 | 80 | 46 | 71 | 111 | 45,5 | 72 | 45 | 151 | 7 | 6,0 |
| | | 1 | 249 | 90 | 55 | 73 | 121 | 48 | 80 | 50 | 165 | 7 | 8,1 |

⁽¹⁾ Including connector (without mounting brackets).

