

FEATURES

- Valve for the control of aggressive liquids and gases in the pharmaceutical, biochemical, photographic, chemical and analytical industries, in chip and wafer production
- The valve is suited for all applications in which the fluids must not come into contact with the metal parts (electromagnetic control of the solenoid valve)
- Bellows system made of PTFE and FFPM seals with high functional reliability
- The solenoid valves satisfy all relevant EC directives

GENERAL

Differential pressure

See «SPECIFICATIONS» [1 bar = 100 kPa]

Maximum viscosity

40 cSt (mm²/s)

fluids (*)	temperature range (TS)	seal materials (*)
air, inert gases, water, oil and liquids	-10°C to + 90°C ⁽¹⁾	FFPM (perfluoroelastomer)

⁽¹⁾ Total ambient + fluid temperature must not exceed 130°C.

MATERIALS IN CONTACT WITH FLUID

(*) Ensure that the compatibility of the fluids in contact with the materials is verified

Body

PEEK (polyetheretherketone), PPS (polyphenylene sulfide) or stainless steel, AISI 303 (1.4305)

Core tube

Stainless steel

Core and plugnut

Stainless steel

Springs

Stainless steel

Seals

FFPM

Bellows

PTFE

ELECTRICAL CHARACTERISTICS

Coil insulation class

F

Connector

Spade plug

Connector specification

for coil type 01

DIN 43650, 11 mm, industry standard B

for coil type 02

ISO 4400 / EN 175301-803, form A

Electrical safety

IEC 335

Electrical enclosure protection

Moulded IP65 (EN 60529)

Standard voltages

DC (=) : 24V

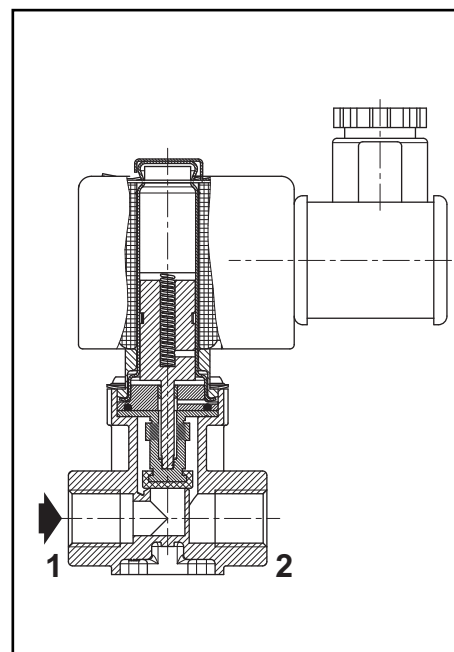
AC (-) : 24V - 115V - 230V / 50 Hz

prefix option	power ratings				operator ambient temperature range (TS) (C°)	replacement coil		type ⁽¹⁾
	inrush ~	holding ~		hot/cold =		~	=	
	(VA)	(VA)	(W)	(W)		230 V/50 Hz	24 V DC	
SC	-	-	-	5 / 6,9	-10 to + 60	43004649	43004647	01
	55	23	10,5	9 / 11,2		400425-117	400425-142	02
	78	35	16,7	14 / 19,7		400425-217	400425-342	02

⁽¹⁾ Refer to the dimensional drawings on the following page.

SPECIFICATIONS

pipe size	orifice size	flow coefficient Kv		operating pressure differential (bar)				power coil (W)		catalogue number			options		
				min.	max. (PS)		FFPM						-	-	
					air inert gas (*)	liquids (*)									FFPM
G	(mm)	(m ³ /h)	(l/min)					~	=	PEEK	PPS	stainless steel	FFPM	-	-
NC - Normally closed															
1/4	2	0,11	1,8	0	3	3	-	6,9	SCG296A007	SCG296A014	SCG296A021	V	-	-	
					6	6	10,5	11,2	SCG296A008	SCG296A015	SCG296A022	V	-	-	
	4	0,32	5,3	0	5	5	10,5	11,2	SCG296A009	SCG296A016	SCG296A023	V	-	-	
					6	6	16,7	19,7	SCG296A010	SCG296A017	SCG296A024	V	-	-	
3/8	6	0,73	12,2	0	2	2	10,5	11,2	SCG296A011	SCG296A018	SCG296A025	V	-	-	
					4	4	16,7	19,7	SCG296A012	SCG296A019	SCG296A026	V	-	-	
	8	0,82	13,7	0	1,2	1,2	16,7	19,7	SCG296A013	SCG296A020	SCG296A027	V	-	-	



OPTIONS

- Valves can also be supplied with FPM (fluoroelastomer) seals and diaphragm. Use the appropriate optional suffix letter for identification
- NPT thread
- Plug with visual indication and peak voltage suppression or with cable length of 2 m

INSTALLATION

- The solenoid valves can be mounted in any position without affecting operation. However, for optimum performance it is recommended that they be fitted with the solenoid operator at the top
- Solenoid valves have 2 or 4 mounting holes in body
- Pipe connection identifier is G = G (ISO 228/1)
- Installation/maintenance instructions are included with each valve

ORDERING EXAMPLES:

SC	G	296	A	007	24V / DC	
SC	G	296	A	015	24V / 50 Hz	
SC	G	296	A	025	V	230V / 50 Hz

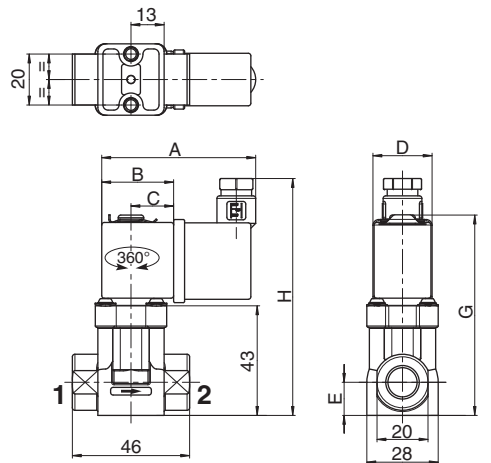
prefix: SC
 pipe thread: G
 basic number: 296
 voltage: 24V / DC, 24V / 50 Hz, 230V / 50 Hz
 suffix: V

DIMENSIONS (mm), WEIGHT (kg)



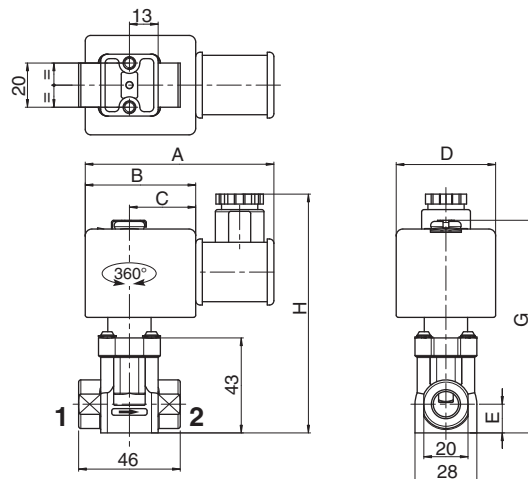
TYPE 01
Prefix "SC" Solenoid
ISO 4400

PEEK: SCG296A007 PPS: SCG296A014

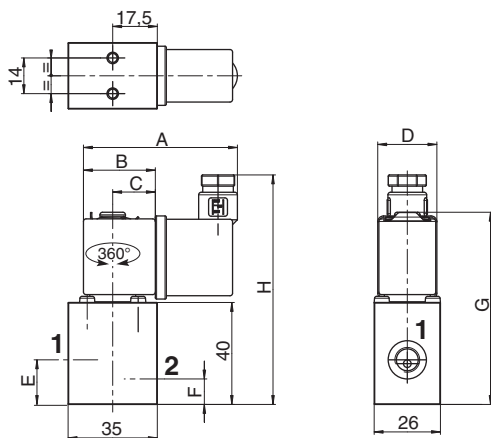


TYPE 02
Prefix "SC" Solenoid
ISO 4400

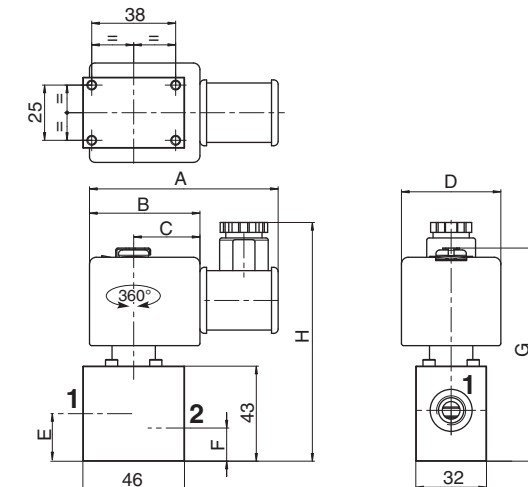
PEEK: SCG296A008/A009/A010/A011/A012/A013
PPS: SCG296A015/A016/A017/A018/A019/A020



Stainless steel: SCG296A021



Stainless steel: SCG296A022/A023/A024/A025/A026/A027



type	prefix option	catalogue number	A	B	C	D	E	F	G	H	weight ⁽¹⁾
01	SC	SCG296A007/014	60	28	17	22	13	-	79	94	0,145
		SCG296A021	60	28	17	22	17,5	10	76	91	0,310
02	SC	SCG296A008/A009/A010/A011/A012/A013	85	50	30	45	13	-	100	110	0,420
		SCG296A015/A016/A017/A018/A019/A020	85	50	30	45	13	-	100	110	0,420
		SCG296A022/A023/A024/A025/A026/A027	85	50	30	45	21,5	15	100	110	0,650

⁽¹⁾ Incl. coil(s) and connector(s)..