

**FEATURES**

- Miniature solenoid valve for medical analyzers, gas analyzers and leak detectors
- New flat-spring technology ensures no contamination of fluids (no friction)
- Suitable for the control of gases and liquids
- The valves have a service life of more than 1 billion cycles when used with neutral gas
- Short response times
- Easy to integrate thanks to the valves' small size
- Available in a variety of versions for a wide range of applications: threaded connections or pad-mount for installation on multiple manifolds
- Vacuum application up to 0,1 bar abs. (0,6 mm and 1 mm dia. orifice sizes)

**GENERAL**

**Differential pressure** See «SPECIFICATIONS» [1 bar =100 kPa]  
**Maximum viscosity** 20 cSt (mm<sup>2</sup>/s)  
**Response time** < 10 ms  
**Internal volume** ≤ 350 µl (couplings not included)

fluids (*)	temperature range (TS)	seal materials (*)
gases and liquids (filtered 50 µm)	0°C to + 60°C	FPM (fluoroelastomer) (2)

**MATERIALS IN CONTACT WITH FLUID**

(\*) Ensure that the compatibility of the fluids in contact with the materials is verified

**Body** Stainless steel, AISI 303 (1.4305)  
**Plugnut** Stainless steel  
**Spring disc** Stainless steel  
**Seat** Stainless steel  
**Seals** FPM  
**Disc** FPM

**ELECTRICAL CHARACTERISTICS**

**Coil insulation class** F  
**Connector** Cable leads (PTFE); 0,35 m length  
**Electrical safety** IEC 335  
**Electrical enclosure protection** IP40 (EN 60529)  
**Standard voltages** DC (=): 6V - 12V - 24V

prefix option	power ratings				operator ambient temperature range (TS) (C°)	replacement coil	type (1)
	inrush ~	holding ~	hot/cold =				
	(VA)	(VA)	(W)	(W)			
L	-	-	-	2,1 / 2,1	0 to + 60	-	01

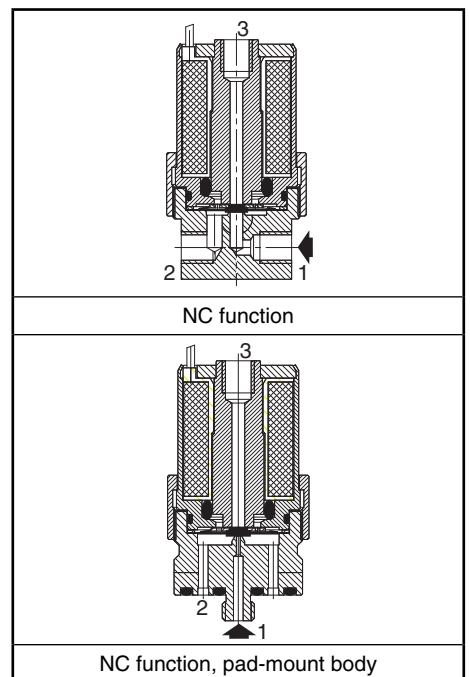
(1) Refer to the dimensional drawings on the following page.

**SPECIFICATIONS**

pipe size	orifice size (mm)	flow coefficient Kv		min.	operating pressure differential (bar)				power coil (W)		catalogue number	
		(m <sup>3</sup> /h)	(l/min)		max. (PS)						threaded	pad-mount body
		~	=		gases (*)	liquids (*)	~	=	~	=	=	=
<b>NC - Normally closed</b>												
M5 (3)	0,6	0,013	0,22	0	-	7	-	7	-	2,1	LE065A009V	LS065A009V
	1	0,025	0,43	0	-	5	-	5	-	2,1	LE065A010V	LS065A010V
	1,4	0,032	0,54	0	-	3	-	3	-	2,1	LE065A011V	LS065A011V
	2	0,057	0,95	0	-	1,5	-	1,5	-	2,1	LE065A012V	LS065A012V

(2) FFPM seals for corrosive fluids (Contact us).

(3) External thread with pad-mount body.



## OPTIONS (on request)

- Other seal materials
- Response time 2-3 ms
- Oxygen service
- Other pipe connections are available
- 0,7 W rated coil

## INSTALLATION

- The solenoid valves can be mounted in any position without affecting operation
- Threaded solenoid valves have 2 mounting holes in body
- Pad-mount valves and o-ring seals for multiple manifolds

## ORDERING EXAMPLES:

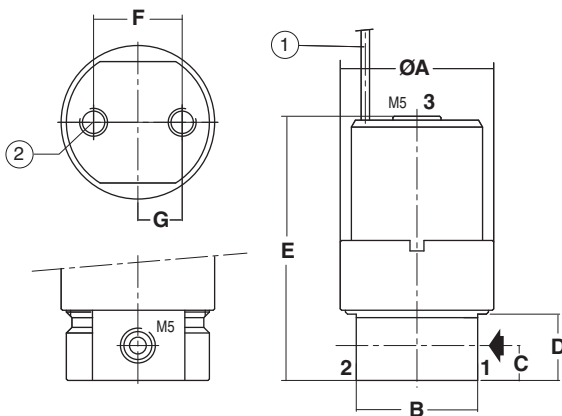
L	E	065	A	009	V	6V / DC
L	E	065	A	010	V	24V / DC
L	S	065	A	009	V	12V / DC
L	S	065	A	011	V	6V / DC

prefix ————  
 pipe thread ————  
 basic number ————  
 voltage ————  
 suffix ————

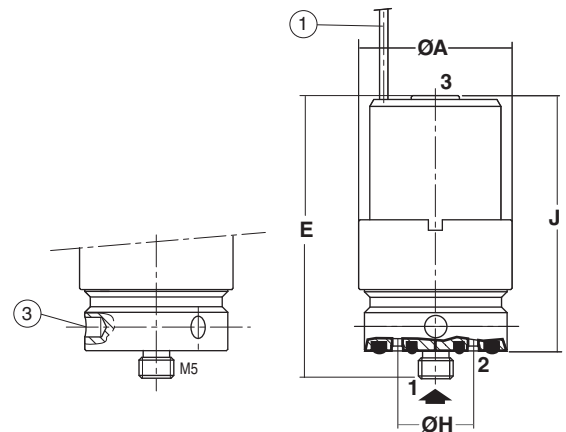
## DIMENSIONS (mm), WEIGHT(kg)

**TYPE 01**  
 Prefix "L" Solenoid  
 Cable ends  
 IP40

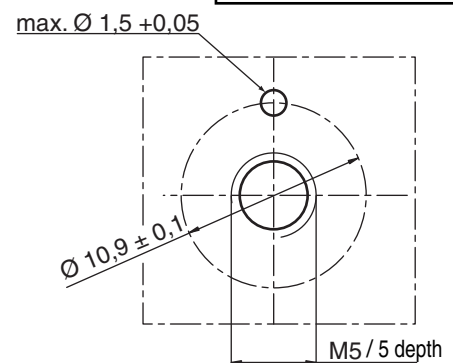
**LE065A009V/010V/011V/012V**



**LS065A009V/010V/011V/012V**



### Mounting pad



type	prefix option	catalogue number	A	B	C	D	E	F	G	H	J	weight <sup>(1)</sup>
01	L	LE065A009V/010V/011V/012V	22	17,4	5	9,5	38	12,7	6,35	-	-	0,068
		LS065A009V/010V/011V/012V	22	-	-	-	41	-	-	10,9	37	0,066

<sup>(1)</sup> Including leads, length 0,35 m.

- ① 2 electrical supply wires, length: 0,35 m.
- ② 2 mounting holes Ø M4, depth 6 mm.
- ③ Mounting with hook spanner wrench DIN 1810B.