

FEATURES

- The normally closed LPG valves are especially designed to meet the particular heavy duty requirements of LPG applications
- Dual flow execution, for use in prepaid systems
- Explosion proof operator, intended for use in potentially explosive areas, according to Directive ATEX 94/9/EC
- Easy electrical installation by means of the moulded-in supply cables, standard length of 2 meter
- ASCO Numatics components satisfy all relevant EC directives

GENERAL

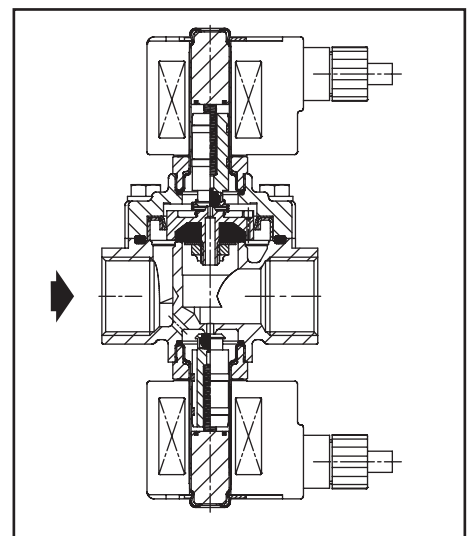
Differential pressure 0 - 25 bar [1 bar = 100kPa]
Ambient temperature range -20 to +65°C (FPM execution)
 -40 to +65°C (PTFE execution)

fluids (*)	temperature range (TS)	seal materials (*)
LPG / Liquid	-20 to +65°C	FPM (fluoroelastomer)
LPG / Liquid	-40 to +65°C	PTFE (**)

MATERIALS IN CONTACT WITH FLUID

(*) Ensure that the compatibility of the fluids in contact with the materials is verified
 (**) Specify suffix T behind catalogue number for the PTFE execution

Body	Brass
Core tube	Stainless steel
Core and plugnut	Stainless steel
Core disc	FPM or PTFE
Rider ring	PTFE
Springs	Stainless steel



ELECTRICAL CHARACTERISTICS

Coil insulation class F
Electrical safety IEC 335
Standard voltages DC (=) 24V - 48V;
 AC (~): 24V - 48V - 115V - 230V / 50 Hz

prefix option	power ratings		operator ambient temperature range (TS)	safety code	electrical enclosure protection (EN 60529)	replacement coil		type ⁽¹⁾
	holding ~	hot/cold =				~	=	
	(W)	(W)				230V/50/60 Hz	24V/DC	
PV	10,5	-	-40 to +65	II 2 G Ex mb II T3	moulded IP67	(2)	(2)	01
(WS)EM	-	12,0 / 16,8	-40 to +40	II 2 G Ex e mb II T3	SS / moulded IP65	(2)	(2)	02
SC	10,5	12,0 / 16,8	-40 to +65	EN 60730	moulded IP65	400425-117	400625-142	03 & 04

⁽¹⁾ Refer to the dimensional drawings on page 22
⁽²⁾ Multiple coils kits available under ATEX, contact us
 - Not available

SPECIFICATIONS

pipe size	orifice size		flow coefficient Kv				operating pressure differential (bar)			prefix optional solenoids *						basic catalogue number
	Low	High	Low	High	min	max. PS		NEMA 7&9	ATEX / IECEx				IP65			
						~	=		EF	NF	EM	PV		ZN	SC	
G	(mm)	(mm)	(m³/h)	(l/min)	(m³/h)	(l/min)										
NC - Normally closed																
3/4	2,4	19	0,15	2,5	4,0	66,7	0	25	17	-	-	○	□	-	●	G291A321

● Available feature ○ Available feature in DC only □ Available feature in AC only
 - Not available
 * For description of solenoids see pages 31-40

ADDITIONAL OPTIONS

- Other explosionproof enclosures for use in zone 1/21-2/22, categories 2-3 to ATEX Directive 94/9/EC
- Explosionproof and watertight solenoids according to "NEMA" standards

INSTALLATION

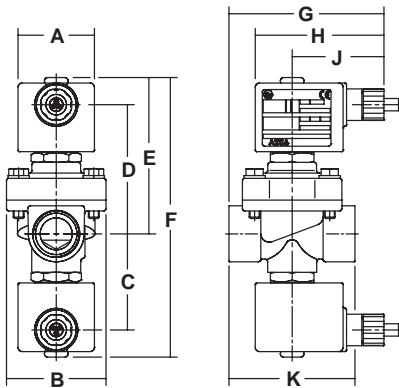
- The valves can be mounted in any position without affecting operation
- Pipe connection identifiers: G = pipe thread according to ISO 228/1
- Installation/maintenance instructions are included with each valve
- PV solenoids have a standard cable length of 2 meters. Other lengths in full meters are available on request

DIMENSIONS (mm), WEIGHT (kg)



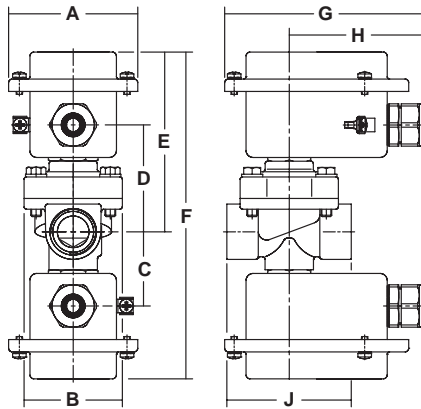
TYPE 01
 Prefix "PV" Solenoid
 Epoxy encapsulated
 EN-IEC 60079-0, 60079-18, 61241-0, 61241-18
 II 2 G/D Ex mb II / Ex mD
 IP67

G291A321



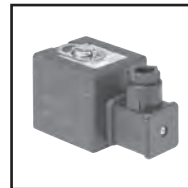
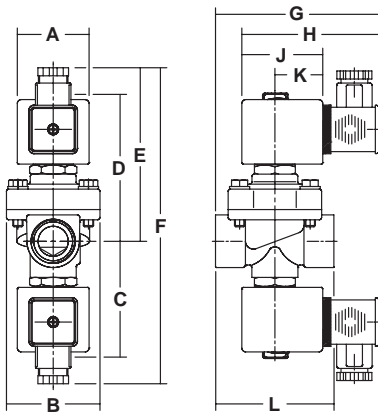
TYPE 02
 Prefix "EM" and "WSEM" Solenoid
 Zinc plated steel, epoxy coated (EM)
 Stainless steel, AISI 316 (WSEM)
 EN-IEC 60079-0, 60079-7, 60079-18, 61241-0, 61241-18
 II 2 G/D Ex e mb II / Ex tD
 IP67

G291A321



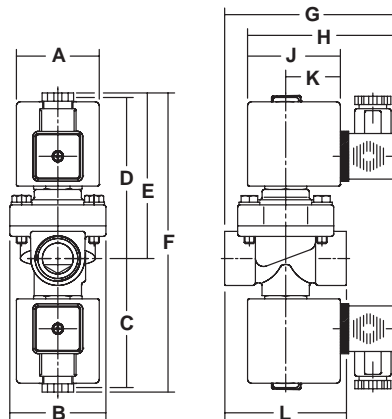
TYPE 03
 Prefix "SC" Solenoid
 Epoxy moulded
 IEC 335 / ISO 4400
 IP65

G291A321



TYPE 04
 Prefix "SC" Solenoid
 Epoxy moulded
 IEC 335 / ISO 4400
 IP65

G291A321



type	AC/DC	prefix option	catalogue number	spare parts kits	A	B	C	D	E	F	G	H	J	K	L	weight
01	~	PV	G291A321	PVC139678	45	58	56	75	91	163	90	75	54	73	-	1,7 Kg
02	=	(WS)EM	G291A321	EMC139679	76	58	44	63	106	193	120	82	73	-	-	2,1 Kg
03	~	SC	G291A321	C139678	45	58	72	91	108	196	102	85	50	30	73	1,5 Kg
04	=	SC	G291A321	C139679	50	58	78	97	100	181	105	91	56	33	73	1,9 Kg