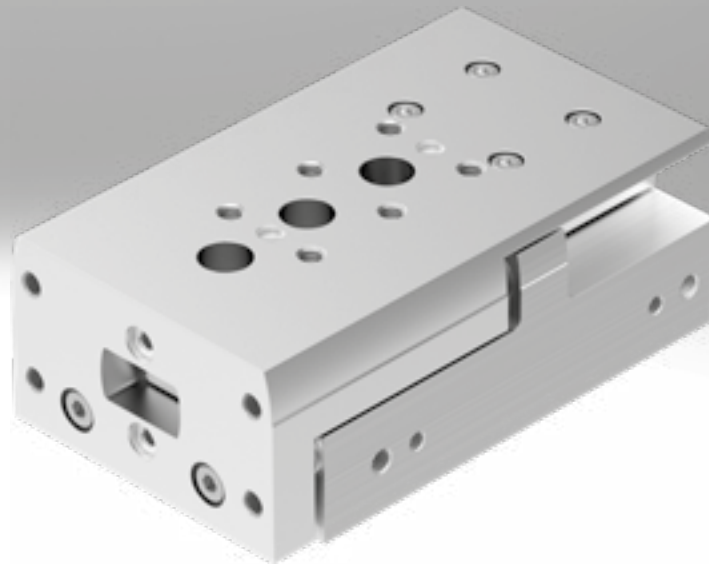


## Mini slides DGST

**FESTO**



Festo core product range  
Covers 80% of your automation tasks

Worldwide:

Always in stock

Superb:

Festo quality at an attractive price

Easy:

Simplified procurement and warehousing

★ Generally ready for dispatch from the factory within 24 hours

In stock at 13 Service Centres worldwide

More than 2200 products

★ Generally ready for dispatch from the factory within 5 days

Assembled for you at 4 Service Centres worldwide

Up to  $6 \times 10^{12}$  variants per product family

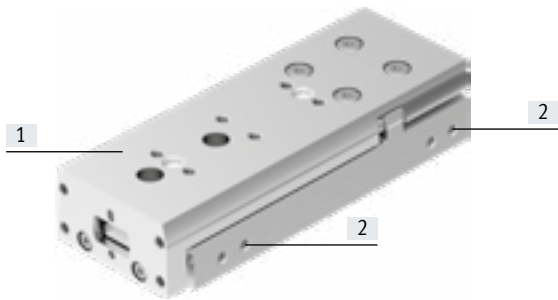
Just look  
for the  
star!

## Key features

### At a glance

- Compact mini slide
- Slide and yoke plate as a single component
- Excellent price/performance ratio
- High feed forces
- Symmetrical mounting interfaces
- Precise and resilient roller bearing guide
- Simple design with symmetrical mounting interfaces
- Can be operated without additional cushioning components

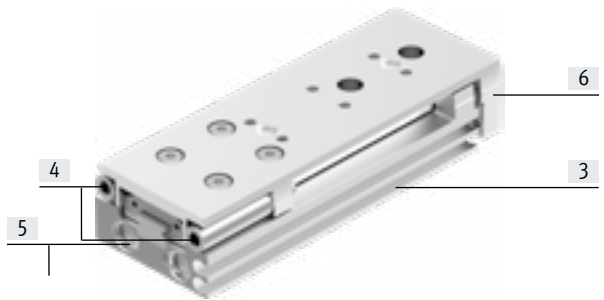
### The technology in detail



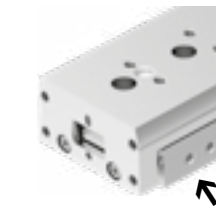
[1] Slide and yoke plate



- Slide and yoke plate as a single component, ensuring very high rigidity, precision and angular alignment

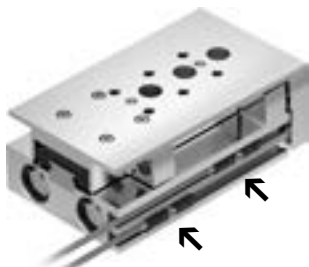


[2] Compressed air supply ports



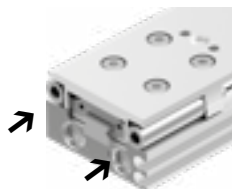
- All connections on one side

[3] Sensor slots for sensing the slide position



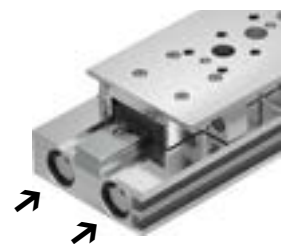
- Proximity switches can be integrated, so there are no projecting parts
- Both end positions can be sensed from one side
- Two sensor slots for sensing

[4] Cushioning and precision end-position adjustment



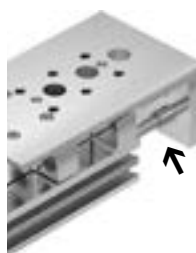
- Choice of three cushioning types:
  - Elastic cushioning at both ends, without end-position adjustment (E1)
  - Elastic cushioning at both ends, non-adjustable, with end-position adjustment (P)
  - Shock absorber at both ends, self-adjusting, with end-position adjustment (Y12)
- Precision end-position adjustment is possible from one side

[5] Twin-piston drive



- Theoretical force at 6 bar: 34 ... 590 N
- Max. payload: 0.7 ... 17 kg

[6] Backlash-free piston rod/yoke connection



- Enhanced precision
- Longer service life

## Key features

### Areas of application

Mainly in industry segments such as:

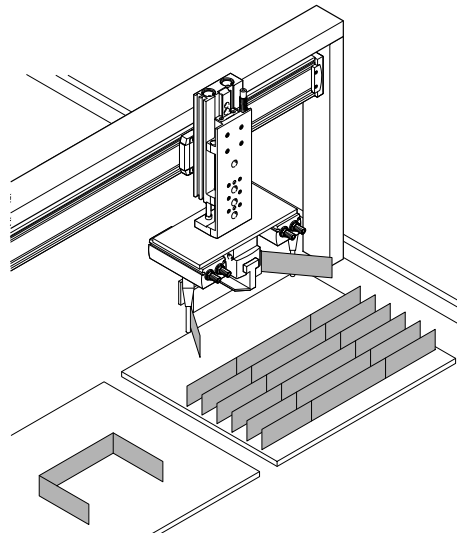
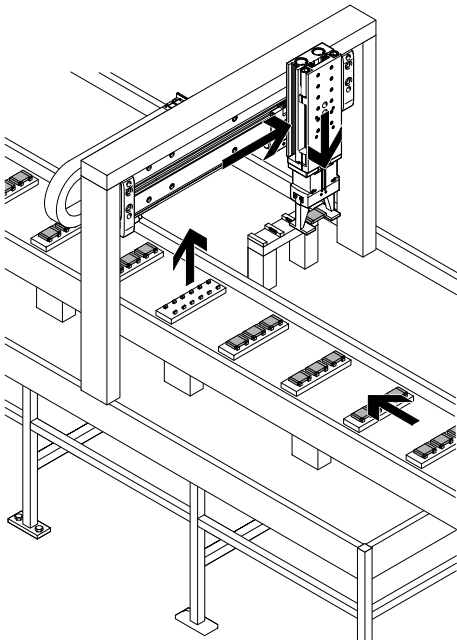
- ELA industry
- Machine building
- Handling technology

Examples:

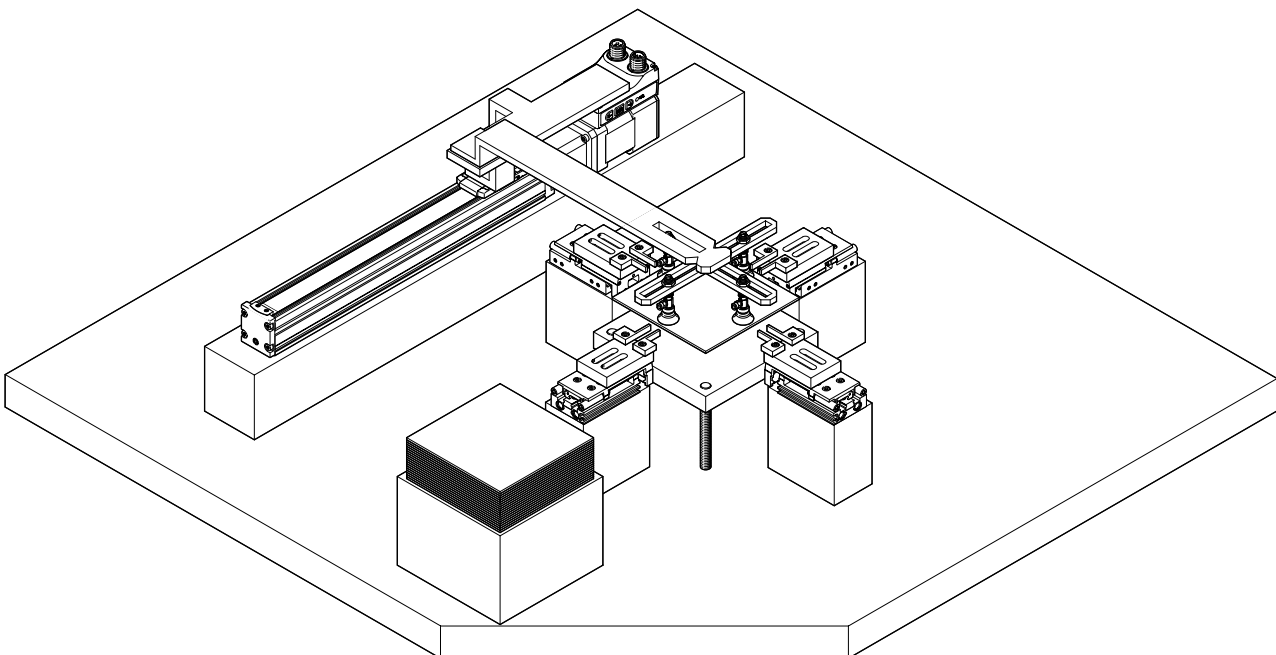
- Pick & Place handling units
- Piggyback handling units
- Precise positioning
- Precise press-fitting

### Application examples

Pick & Place handling unit



Precise positioning

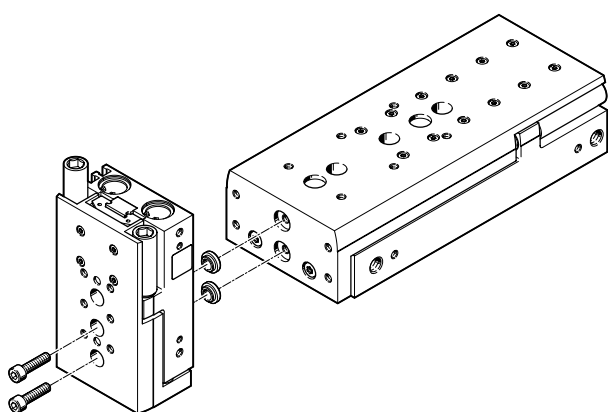
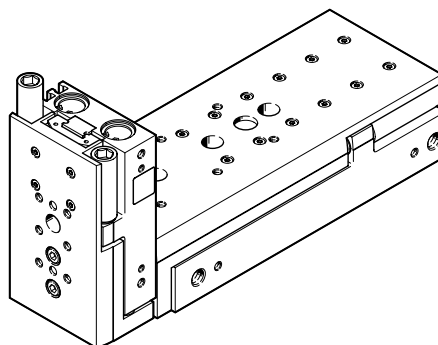
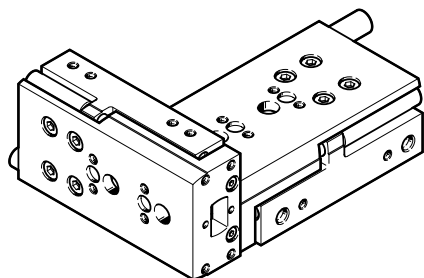


### Key features


**Possible combinations of Pick & Place applications without adapter plate**

Sizes 6 to 8

Other combinations



		[1] Basic drive							
		Size	6	8	10	12	16	20	25
[2] Add-on drive	6		–	2x M3x14 2x ZBH-5	2x M3x14 2x ZBH-5	–	–	–	–
	8		–	–	2x M3x18 2x ZBH-5	–	–	–	–
	10		–	–	–	2x M4x22 2x ZBH-7	2x M4x22 2x ZBH-7	–	–
	12		–	–	–	–	2x M4x27 2x ZBH-7	–	–
	16		–	–	–	–	–	2x M5x30 2x ZBV-12-9	–
	20		–	–	–	–	–	–	2x M6x40 2x ZBH-12

 - **Note**  
The mounting components are not included in the scope of delivery of the mini slide.

## Type code

001	Series
DGST	Slide drive

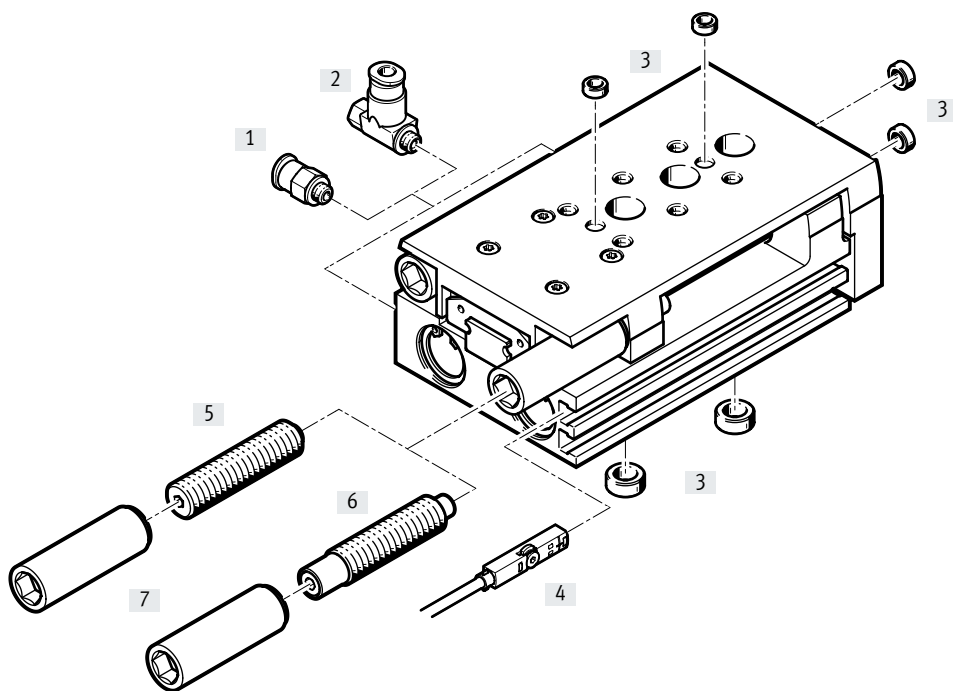
002	Size
6	6
8	8
10	10
12	12
16	16
20	20
25	25

003	Stroke
10	10
20	20
30	30
40	40
50	50
80	80
100	100
125	125
150	150
200	200

004	Cushioning
P	Elastic cushioning rings/plates on both sides
Y12	Shock absorber, self-adjusting, linear at both ends, external
E1	Elastomer cushioning, double-sided, stroke not adjustable

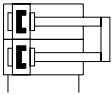
005	Position sensing
A	For proximity sensor



Peripherals overview



Accessories		Description	→ Page/Internet
[1]	Push-in fitting QSM	For connecting compressed air tubing with standard outside diameters	43
[2]	One-way flow control valve GRLA	For speed regulation	43
[3]	Centring sleeve ZBH	<ul style="list-style-type: none"> <li>For centring loads and attachments</li> <li>(Centring sleeves not included in the scope of delivery of the mini slide)</li> </ul>	43
[4]	Proximity switch SMT-10/-8	For position sensing. Can be integrated in the sensor slot, which means there is no projection	44
	Position transmitter SMAT-8M, SDAT	<ul style="list-style-type: none"> <li>Analogue position feedback possible</li> <li>Choice of analogue output: 0 ... 10 V, 0 ... 20 mA</li> </ul>	45
[5]	Cushioning P	Elastic cushioning at both ends, non-adjustable, with end-position adjustment	43
[6]	Cushioning Y12	Shock absorber at both ends, self-adjusting, with end-position adjustment	43
[7]	Threaded sleeve	<ul style="list-style-type: none"> <li>For mounting the cushioning components</li> <li>Included in the scope of delivery for cushioning [5]/[6]</li> </ul>	43

## Data sheet



-  Size  
6 ... 25
-  Stroke length  
10 ... 200 mm



## General technical data

Size	6	8	10	12	16	20	25	
Design	Scotch yoke system							
Guide	Recirculating ball bearing guide					Three-part cage guide		
Mode of operation	Double-acting							
Type of mounting	With through-hole With female thread							
Pneumatic connection	M3		M5		G1/8			
Stroke <sup>1)</sup>	[mm]	10 ... 50	10 ... 80	10 ... 100	10 ... 100	10 ... 150	10 ... 200	10 ... 200
Cushioning								
DGST...E1	Elastic cushioning at both ends, without end-position adjustment							
DGST...P	Elastic cushioning at both ends, non-adjustable, with end-position adjustment							
DGST...Y12	Shock absorbers at both ends, self-adjusting, with end-position adjustment (available from strokes of 30 mm)							
Max. cushioning length								
DGST...E1 <sup>2)</sup>	[mm]	0.2 5/0.9	0.5/1.5	0.6/1.6	0.5/1.1	0.6/0.8	0.5/1	0.5/1.2
DGST...P	[mm]	0.9	1.8	1.8	2	1.8	2	2
DGST...Y12	[mm]	4	4	4	5	5	8	10
Position sensing	For proximity sensor							
Mounting position	Any							
Max. speed								
DGST...E1	[m/s]	0.5						
DGST...P	[m/s]	0.5	0.8					
DGST...Y12	[m/s]	0.5						
Repetition accuracy								
DGST...E1	[mm]	≤ 0.3						
DGST...P	[mm]	≤ 0.3						
DGST...Y12	[mm]	≤ 0.02						

1) For variant DGST...E1, the actual stroke is somewhat longer → Page 18

2) Advanced end position/retracted end position

## Operating and environmental conditions

Size	6	8	10	12	16	20	25
Operating medium	Compressed air to ISO 8573-1:2010 [7:4:4]						
Information on the operating medium	Lubricated operation possible (in which case lubricated operation will always be required)						
Operating pressure <sup>1)</sup>	[bar]	1.5 ... 8		1 ... 8			
Ambient temperature	[°C]	-10 ... +60					
Corrosion resistance CRC <sup>2)</sup>	1						

1) For sizes 6/8/10/12, the min. operating pressure can increase slightly after a rest period > 24 h.

2) Corrosion resistance class CRC 1 to Festo standard FN 940070

Low corrosion stress. Dry internal application or transport and storage protection. Also applies to parts behind covers, in the non-visible interior area, and parts which are covered in the application (e.g. drive trunnions).

### Data sheet

Forces and impact energy								
Size		6	8	10	12	16	20	25
Theoretical force at 6 bar, advancing	[N]	34	60	94	136	241	377	589
Theoretical force at 6 bar, retracting	[N]	25	45	79	102	207	317	495
Impact energy in the end positions								
DGST...-E1	[Nm]	0.005	0.03	0.05	0.07	0.15	0.2	0.3
DGST...-P	[Nm]	0.018	0.05	0.08	0.12	0.25	0.35	0.45
DGST...-Y12 per stroke	[Nm]	0.09	0.18	0.28	0.48	0.85	1.9	3.6
Max. operating frequency								
DGST...-Y12	[Cycles/min]	50	80	80	80	70	50	50

For cushioning DGST...-E1/-P, the following applies:


Permissible impact velocity:

$$v = \sqrt{\frac{2 \cdot E}{m_1 + m_2}}$$

Maximum permissible mass:

$$m_2 = \frac{2 \cdot E}{v^2} - m_1$$

- v Perm. impact velocity
- E Maximum impact energy
- m<sub>1</sub> Moving mass (drive)
- m<sub>2</sub> Moving payload

 **Note**  
 These specifications represent the maximum values that can be achieved. Observe the maximum permissible impact energy.

For cushioning DGST...-Y12, the following applies:

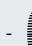
Permissible impact velocity:

$$v = \sqrt{\frac{2 \cdot (E - (F + (m_1 + m_2) \cdot g \cdot \sin(\alpha)) \cdot s)}{m_1 + m_2}}$$

Maximum permissible mass:

$$m_2 = \frac{E - F \cdot s}{\frac{1}{2} \cdot v^2 + g \cdot s \cdot \sin(\alpha)} - m_1$$

- v Perm. impact velocity
- E Kinetic impact energy
- F Cylinder force minus friction force
- m<sub>1</sub> Moving mass (drive)
- m<sub>2</sub> Moving payload
- g Gravitational acceleration
- s Shock absorber stroke
- a Impact angle
- v Impact velocity

 **Note**  
 These specifications represent the maximum values that can be achieved. Observe the maximum permissible impact energy.



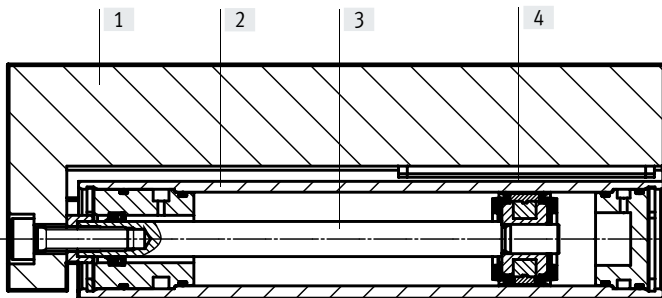
## Data sheet

Weights [g]		Stroke [mm]	6	8	10	12	16	20	25
<b>Product weight without cushioning component</b>									
Size	10	90	129	247	391	454	978	1463	
	20	107	154	254	456	526	970	1528	
	30	124	176	292	501	510	994	1547	
	40	140	200	324	563	629	1055	1743	
	50	172	236	359	611	690	1196	1816	
	80	–	310	496	776	930	1618	2452	
	100	–	–	561	988	1060	1962	2868	
	125	–	–	–	–	1294	2346	3507	
	150	–	–	–	–	1402	2686	3927	
	200	–	–	–	–	–	3275	4803	
<b>Moving mass without cushioning component</b>									
Size	10	49	69	124	195	235	440	714	
	20	57	80	134	238	278	456	762	
	30	65	92	146	242	277	455	762	
	40	73	103	165	284	324	498	877	
	50	88	122	177	290	342	549	897	
	80	–	155	240	360	462	759	1217	
	100	–	–	269	465	515	890	1388	
	125	–	–	–	–	637	1068	1703	
	150	–	–	–	–	660	1221	1877	
	200	–	–	–	–	–	1460	2282	
<b>Cushioning components (1 cushioning component and 1 threaded sleeve)<sup>1)</sup></b>									
DGST...-P		5	8.4	11.7	23	41	72.5	136.5	
DGST...-Y12		3.9	7.8	10.2	16	33	57	105	

1) Add 1x for moving mass and 2x for total mass.

## Materials

Sectional view



Mini slide

[1]	Slide	Anodised wrought aluminium alloy
[2]	Housing	Anodised wrought aluminium alloy
[3]	Piston rod	High-alloy stainless steel
[4]	Guide	High-alloy stainless steel, POM, TPE
–	Seals	HNBR
Note on materials		Free of copper and PTFE
		RoHS-compliant

## Data sheet

### Perpendicularity

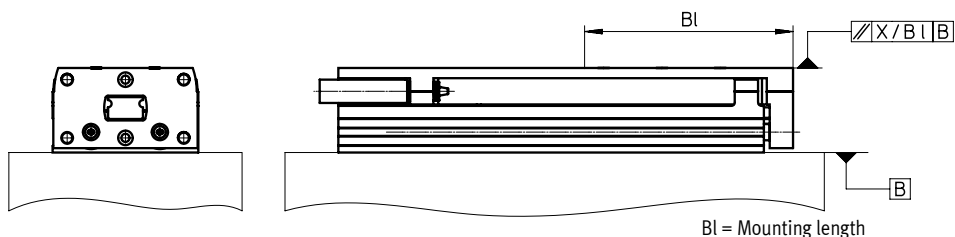
The term perpendicularity refers to the alignment accuracy between the slide surface and the yoke plate.



Size	6	8	10	12	16	20	25
	≤ 0.05						

### Parallelism

The term parallelism refers to the alignment accuracy between the mounting surface and the slide surface in longitudinal direction.

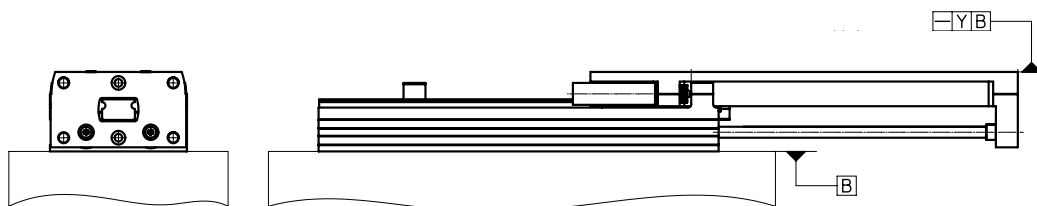


Size Stroke [mm]	6	8	10	12	16	20	25
10	0.09 2/43 <sup>1)</sup>	0.09/45	0.09 3/54	0.08 6/55	0.08 9/61	0.08 1/80	0.08 8/90
20	0.08 2/43	0.08 1/45	0.09/54	0.08 5/55	0.08 5/61	0.08 1/80	0.08 8/90
30	0.07 9/43	0.07 8/45	0.08 4/54	0.07 6/55	0.08 1/61	0.08 1/80	0.08 2/90
40	0.11 4/65	0.11 8/70	0.08 5/54	0.07 5/55	0.08 3/61	0.07 5/80	0.07 6/90
50	0.09 6/65	0.10 3/70	0.11 3/76	0.10 1/77	0.10 9/85	0.06 5/80	0.07 7/90
80	-	0.09 5/70	0.09 1/76	0.09 5/77	0.08 4/85	0.07 4/130	0.07 4/130
100	-	-	0.09 1/76	0.07 2/77	0.09 8/101	0.06 2/130	0.06 1/130
125	-	-	-	-	0.08 1/101	0.06 3/160	0.06 3/160
150	-	-	-	-	0.07 9/101	0.05 5/160	0.05 5/160
200	-	-	-	-	-	0.04 4/160	0.04 4/160

1) Parallelism/mounting length

### Linearity

The term linearity refers to the alignment accuracy between the mounting surface and the slide surface in relation to the stroke.



Size Stroke [mm]	6	8	10	12	16	20	25
10	0.013	0.012	0.011	0.011	0.01	0.009	0.009
20	0.021	0.02	0.018	0.016	0.016	0.014	0.014
30	0.025	0.024	0.023	0.021	0.021	0.02	0.018
40	0.029	0.028	0.026	0.025	0.025	0.022	0.021
50	0.031	0.029	0.029	0.027	0.026	0.024	0.023
80	-	0.034	0.032	0.032	0.03	0.02	0.027
100	-	-	0.035	0.032	0.032	0.027	0.027
125	-	-	-	-	0.033	0.028	0.028
150	-	-	-	-	0.035	0.03	0.03
200	-	-	-	-	-	0.032	0.032

The values apply in an unpressurised state. When variants DGST...-P and DGST...-Y12 are pressurised with compressed air, this may result in a pitching motion.

## Data sheet

**Adjustable end-position range**

Precision adjustment of the advanced and retracted end position

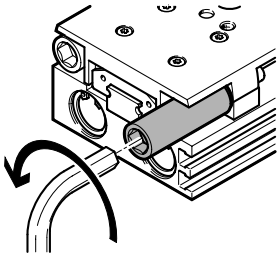
Precision adjustment of the required stroke reduction is possible using the cushioning components.

**Advantages:**

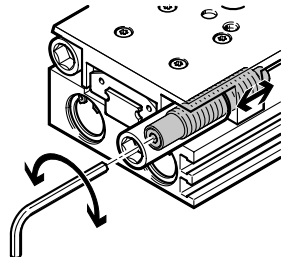
- No readjustment required; position is fully maintained under lock and load
- Stroke reduction down to the next smaller standard stroke is possible
- Fast and simple adjustment using two tools

**Step 1:**

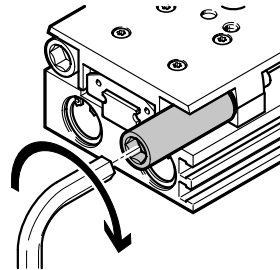
Screw the cushioning component and sleeve into the holder using an Allen key until the stop is reached

**Step 2:**

Set the exact end position using a smaller Allen key

**Step 3:**

Lock the cushioning component in place by tightening the sleeve

**End-position adjustment**

Dimensions:

For DGST-...-P: → Page 36

For DGST-...-Y12: → Page 38

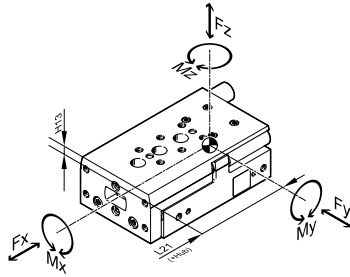
**Note**

Adjust and secure the shock absorber under compressed air.

Data sheet

Dynamic characteristic load values

The indicated torques refer to the centre of the guide.  
 These values must not be exceeded during dynamic operation. Special attention must be paid to the cushioning phase.

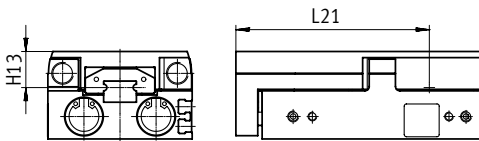


If the drive is simultaneously subjected to several of the forces and torques indicated below, the following equation must be satisfied in addition to the indicated maximum loads:

$$f_v = \frac{|F_{y1}|}{F_{y2}} + \frac{|F_{z1}|}{F_{z2}} + \frac{|M_{x1}|}{M_{x2}} + \frac{|M_{y1}|}{M_{y2}} + \frac{|M_{z1}|}{M_{z2}} \leq 1$$

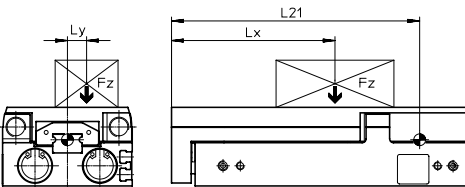
$f_v$  = load comparison factor  
 $F_1$  = dynamic value  
 $F_2$  = maximum value

Position of the guide centre



Calculation example

Given:



To be calculated:

- Mini slide = DGST-10
  - Stroke length = 80 mm
  - Lever arm  $L_x$  = 50 mm
  - Lever arm  $L_y$  = 30 mm
  - Mass  $F_z$  = 0.8 kg
  - Acceleration  $a$  = 0 m/s<sup>2</sup>
- $F_y, F_z, M_x, M_y, M_z$  and verification of operation with combined load

Solution:

- $L21 = 110.2$  mm from table
- $F_y = 0$  N
- $F_z = m \times g = 0.8 \text{ kg} \times 9.81 \text{ m/s}^2 = 7.848$  N
- $M_x = m \times g \times L_y = 0.8 \text{ kg} \times 9.81 \text{ m/s}^2 \times 30 \text{ mm} = 0.236$  Nm
- $M_y = m \times g \times [(L21 + \text{stroke}) - L_x] = 0.8 \text{ kg} \times 9.81 \text{ m/s}^2 \times [(110.2 \text{ mm} + 80 \text{ mm}) - 50 \text{ mm}] = 1.1$  Nm
- $M_z = 0$  Nm

Combined load:

$$f_v = \frac{|F_{y1}|}{F_{y2}} + \frac{|F_{z1}|}{F_{z2}} + \frac{|M_{x1}|}{M_{x2}} + \frac{|M_{y1}|}{M_{y2}} + \frac{|M_{z1}|}{M_{z2}} \leq 1$$

$$= 0 + \frac{7,848 \text{ N}}{520 \text{ N}} + \frac{0,236 \text{ Nm}}{6 \text{ Nm}} + \frac{1,1 \text{ Nm}}{5 \text{ Nm}} + 0 = 0,274 \leq 1$$

Permissible forces and torques					Geometric characteristics	
Size	Stroke [mm]	$F_{y\max}, F_{z\max}$ [N]	$M_{x\max}$ [Nm]	$M_{y\max}, M_{z\max}$ [Nm]	H13 [mm]	L21 [mm]
6	10	200	1.1	0.7	9.35	31
	20	220	1.1	1		39.5
	30	240	1.1	1.2		51
	40	260	1.2	1.2		59.5
	50	280	1.4	1.2		73.5
8	10	250	2	2	10.75	31
	20	275	2	2		39.5
	30	300	2.8	2		51
	40	325	3	2.5		59.5
	50	350	3.2	3		73.5
	80	375	3.2	3		103.5

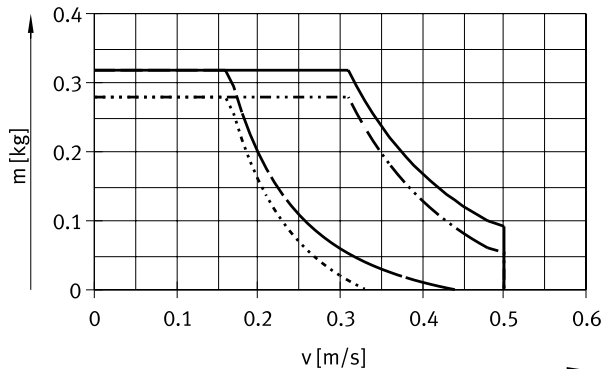
## Data sheet

Permissible forces and torques					Geometric characteristics	
Size	Stroke [mm]	$F_{y_{max}}, F_{z_{max}}$ [N]	$M_{x_{max}}$ [Nm]	$M_{y_{max}}, M_{z_{max}}$ [Nm]	H13 [mm]	L21 [mm]
<b>10</b>						
	10	470	3	3	12.25	45.7
	20	480	3	3		45.7
	30	490	3.5	3		58.5
	40	500	4	4.5		65.7
	50	510	5	4.5		78.5
	80	520	6	5		110.2
	100	530	6	6		130.2
<b>12</b>						
	10	500	4.2	4.2	14.5	43
	20	520	4.2	4.2		53
	30	540	4.2	4.2		63
	40	560	5.8	5.8		73
	50	580	7	5.8		83
	80	600	8.9	6.5		113
	100	620	10	6.8		139
<b>16</b>						
	10	820	11.3	7	16.5	48.5
	20	840	11.3	7		55.5
	30	860	11.3	7.5		59.5
	40	880	11.3	8		71.5
	50	900	11.3	8		88.5
	80	920	12	10		119
	100	940	12	10		139
	125	960	14	15		171.5
	150	960	14	16		196.5
<b>20</b>						
	10	1600	16	18	16	70
	20	1270	13	14		70
	30	1110	11	12		71
	40	930	10	11		82
	50	1080	9	10		93.6
	80	1030	14	11		131.4
	100	1160	18	11		160.3
	125	1380	20	17		192.6
	150	1300	20	17		222.8
	200	1170	20	17		279.6
<b>25</b>						
	10	1840	19	21	21	69.2
	20	1460	16	16		69.2
	30	1280	14	14		78.2
	40	1310	13	12		88.2
	50	1080	12	11		98.2
	80	1030	14	11		133.4
	100	1160	18	11		162.8
	125	1380	20	17		194.6
	150	1300	20	17		224.8
	200	1170	20	17		281.6

Data sheet

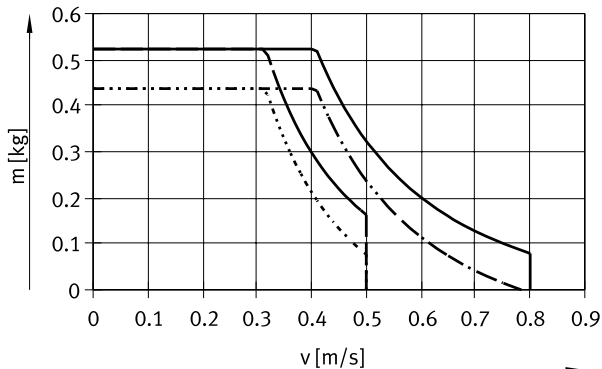
Payload load  $m$  as a function of impact velocity  $v$  and cushioning P/E1

DGST-6



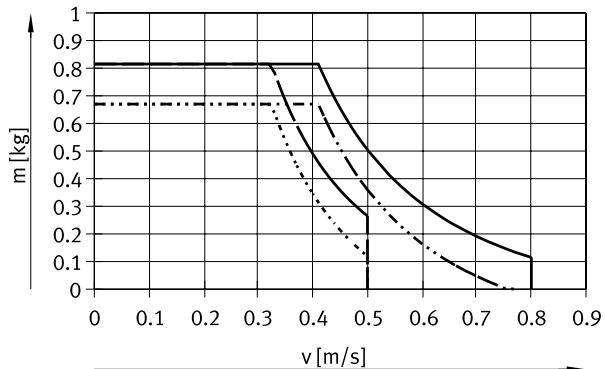
- DGST-6-10-P
- DGST-6-50-P
- - - DGST-6-10-E1
- · - · DGST-6-50-E1

DGST-8



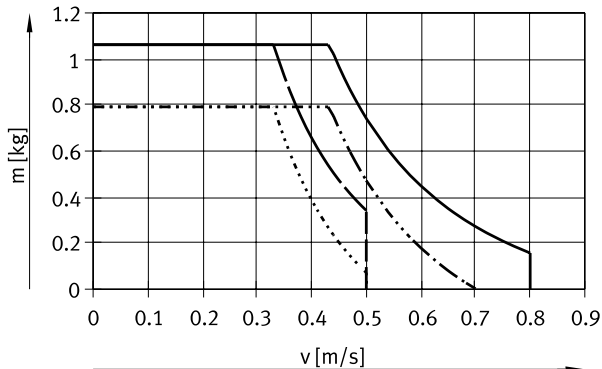
- DGST-8-10-P
- DGST-8-80-P
- - - DGST-8-10-E1
- · - · DGST-8-80-E1

DGST-10



- DGST-10-10-P
- DGST-10-100-P
- - - DGST-10-10-E1
- · - · DGST-10-100-E1

DGST-12

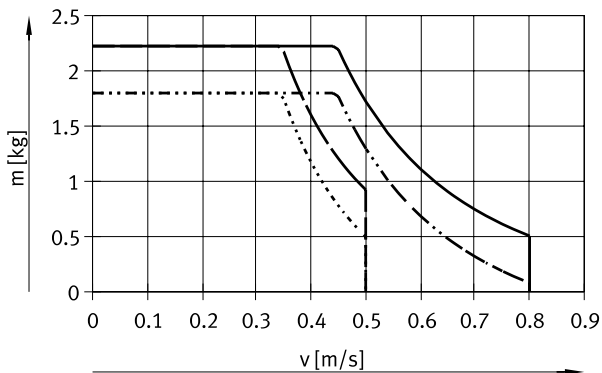


- DGST-12-10-P
- DGST-12-100-P
- - - DGST-12-10-E1
- · - · DGST-12-100-E1

Data sheet

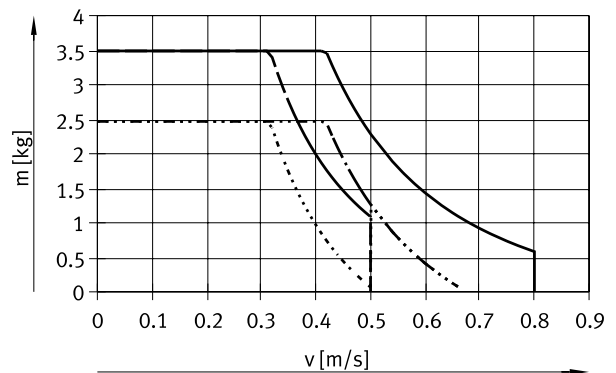
Payload load  $m$  as a function of impact velocity  $v$  and cushioning P/E1

DGST-16



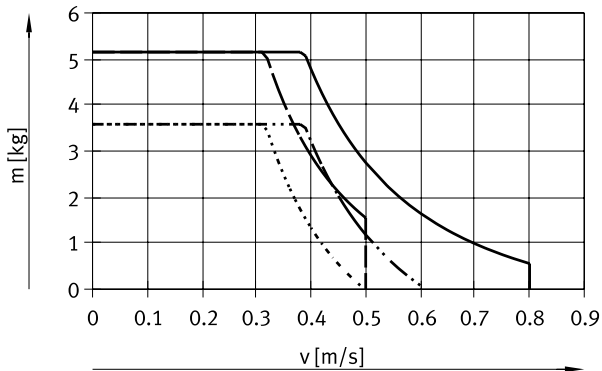
- DGST-16-10-P
- ..... DGST-16-150-P
- - - DGST-16-10-E1
- · - · DGST-16-150-E1

DGST-20



- DGST-20-10-P
- ..... DGST-20-200-P
- - - DGST-20-10-E1
- · - · DGST-20-200-E1

DGST-25

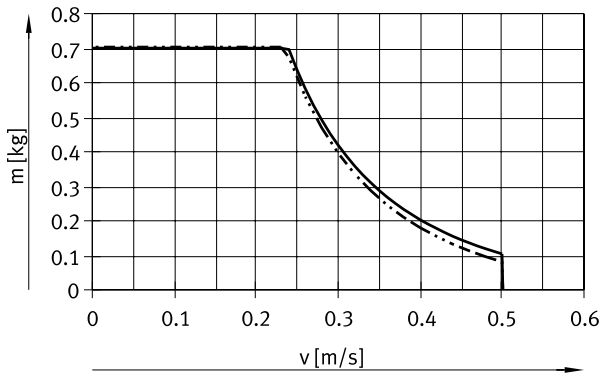


- DGST-25-10-P
- ..... DGST-25-200-P
- - - DGST-25-10-E1
- · - · DGST-25-200-E1

Data sheet

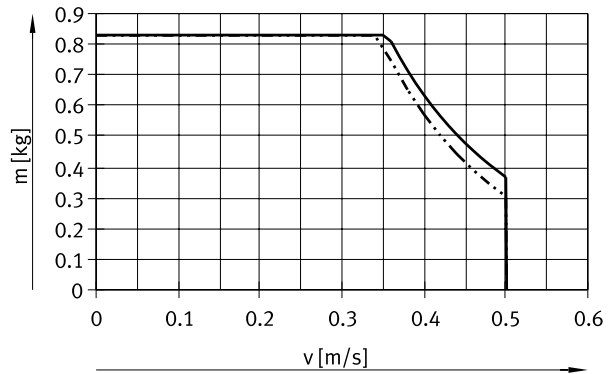
Payload load  $m$  as a function of impact velocity  $v$  and cushioning Y12

DGST-6



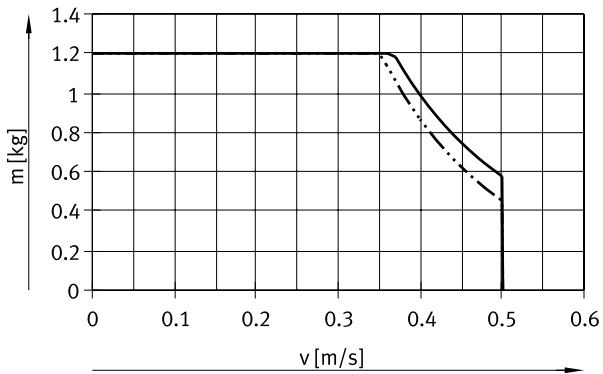
- DGST-6-30-Y12
- - - DGST-6-50-Y12

DGST-8



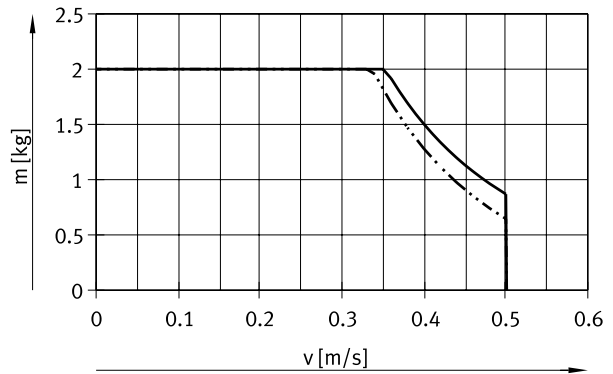
- DGST-8-30-Y12
- - - DGST-8-80-Y12

DGST-10



- DGST-10-30-Y12
- - - DGST-10-100-Y12

DGST-12



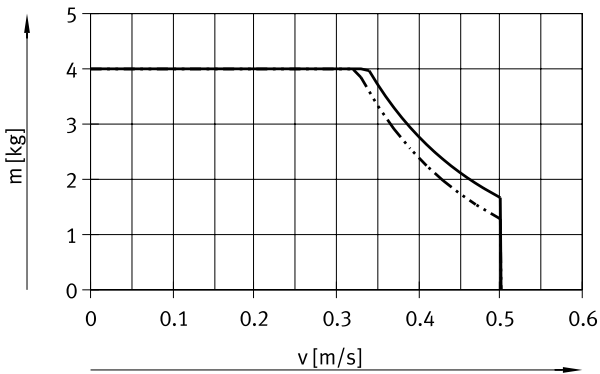
- DGST-12-30-Y12
- - - DGST-12-100-Y12



Data sheet

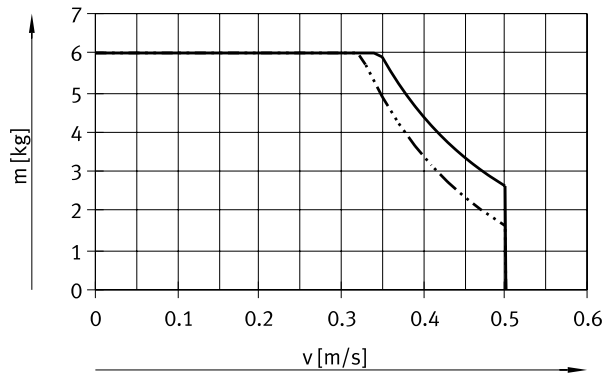
Payload load  $m$  as a function of impact velocity  $v$  and cushioning Y12

DGST-16



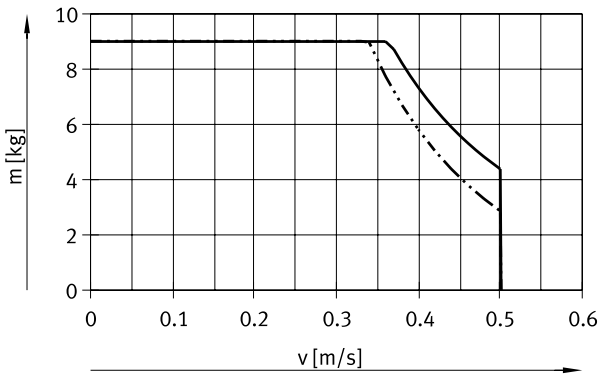
- DGST-16-30-Y12
- - - DGST-16-150-Y12

DGST-20



- DGST-20-30-Y12
- - - DGST-20-200-Y12

DGST-25



- DGST-25-30-Y12
- - - DGST-25-200-Y12



## Data sheet

Size	L5	L6 <sup>1)</sup>	L7	L8 <sup>2)</sup>	L9	L10 <sup>2)</sup>	T1	T2	T3 <sup>3)</sup>	T4 <sup>3)</sup>	T5 <sup>3)</sup>
									Max.	Max.	Max.
6	6	8	8.5	15.4	5.8	12.7	1.3 <sup>+0.1</sup>	8.9	–	4	4
8	6	8	8.5	16.5	5.5	13.5	1.3 <sup>+0.1</sup>	11.5	–	5	4.5
10	8	10	8.9	17.9	6.6	15.6	1.6 <sup>+0.1</sup>	14.5	–	6.2	5
12	8	10	10.7	19.5	7	15.8	1.6 <sup>+0.1</sup>	19.8	–	7	5.5
16	10	12	14.2	23	6.7	15.5	2.1 <sup>+0.1</sup>	20.8	–	6	5
20	10	12.5	16.5	30.5	8	22	2.6 <sup>+0.3</sup>	31.2	20	8	8.5
25	12	14.5	16.5	31.5	10.5	25.5	2.6 <sup>+0.3</sup>	37.2	20	9.5	8

Size	T7	T8 <sup>3)</sup>	T9	T10 <sup>3)</sup>	T11	Additional stroke without cushioning for variant DGST...-E1		Max. cushioning stroke in the end positions for variant DGST...-E1	
						Min.	Max.	Advanced	Retracted
6	1.3 <sup>+0.1</sup>	4.5	–	–	4.6	0.65	1.3	0.25	0.9
8	1.3 <sup>+0.1</sup>	4.5	1.3 <sup>+0.1</sup>	–	5	0	0.7	0.5	1.6
10	1.3 <sup>+0.1</sup>	6.5	1.3 <sup>+0.1</sup>	6.5	5.9	0	0.7	0.6	1.6
12	1.3 <sup>+0.1</sup>	6.5	1.6 <sup>+0.1</sup>	8	7	0.4	1.1	0.5	1.1
16	1.3 <sup>+0.1</sup>	8	1.6 <sup>+0.1</sup>	8	6.3	0.65	1.4	0.6	0.65
20	2.6 <sup>+0.3</sup>	8	2.6 <sup>+0.3</sup>	10	9.1	0.4	1.1	0.5	1
25	2.6 <sup>+0.3</sup>	10	2.6 <sup>+0.3</sup>	13	8.8	0.5	1.2	0.5	1.2

Stroke [mm]	10	20	30	40	50	80	100	125	150	200	
Size											
	<b>L1<sup>1)</sup></b>										
6	48	58	68	78	95	–	–	–	–	–	
8	51	61	71	81	95	126	–	–	–	–	
10	66	68	78	88	98	136	156	–	–	–	
12	66	76	86	96	106	136	169.5	–	–	–	
16	73	80	87	97	112	150	170	210	235	–	
20	97	97	97	107	121	166	204.5	244	279	343	
25	102	102	108	118	128	168	207	246	281	345	
	<b>L11</b>										
6	40	50	60	70	87	–	–	–	–	–	
8	43	53	63	73	87	118	–	–	–	–	
10	56	58	68	78	88	126	146	–	–	–	
12	56	66	76	86	96	126	159.5	–	–	–	
16	61	68	75	85	100	138	158	198	223	–	
20	84.5	84.5	84.5	94.5	108.5	153.5	192	231.5	266.5	330.5	
25	87.5	87.5	93.5	103.5	113.5	153.5	192.5	231.5	266.5	330.5	
	<b>L12</b>										
6	16	16	16	16	22	–	–	–	–	–	
8	15.7	15.7	15.7	15.7	19.7	20.7	–	–	–	–	
10	24.6	16.6	16.6	16.6	16.6	24.6	24.6	–	–	–	
12	20.6	20.6	20.6	20.6	20.6	20.6	34.1	–	–	–	
16	21.2	18.2	15.2	15.2	20.2	28.2	28.2	39	39	–	
20	39.5	29.5	19.5	19.5	23.5	38.5	51	51	51	51	
25	36.5	26.5	22.5	22.5	22.5	32.5	51.5	65	65	65	
	<b>T6 (max.)<sup>3)</sup></b>										
6	4	4	4	4	4	–	–	–	–	–	
8	5.5	5.5	5.5	5.5	5.5	5.5	–	–	–	–	
10	4.5	4.5	4.5	4.5	4.5	7.5	7.5	–	–	–	
12	5.2	5.2	5.2	5.2	5.2	8	8	–	–	–	
16	7.2	7.2	7.2	7.2	7.2	8	8	8	8	–	
20	8	8	8	8	8	8	8	8	8	8	
25	11	11	11	11	11	11	11	11	11	11	

1) At an operating pressure of 6 bar

2) Not available in sizes 6 and 8 with stroke 10 mm. The dimension is 14.5 mm in size 16 with stroke 80 ... 150 mm

3) Max. screw-in depth

Data sheet

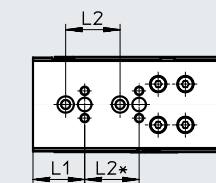
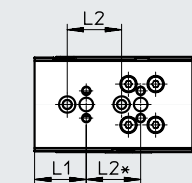
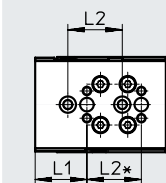
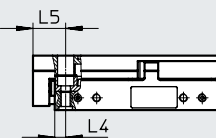
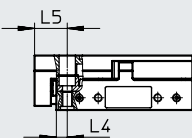
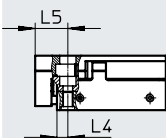
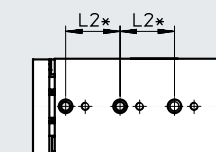
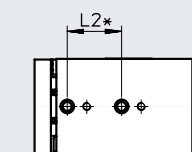
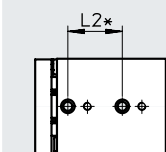
Hole pattern for mounting threads and centring holes

Download CAD data → [www.festo.com](http://www.festo.com)

DGST-6-10

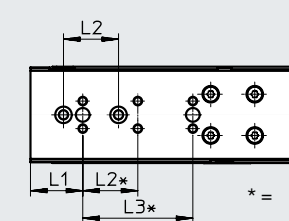
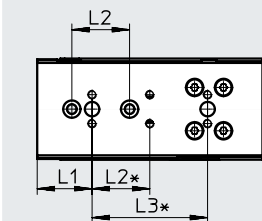
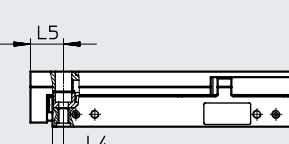
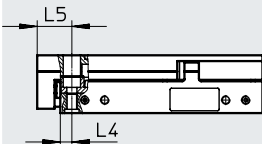
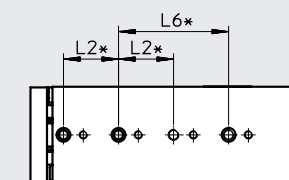
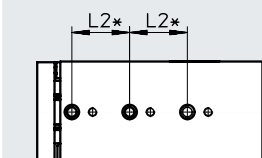
DGST-6-20

DGST-6-30



DGST-6-40

DGST-6-50



\* = ±0.02 mm applies to the centring  
 = ±0.1 mm applies to the thread

Size	Stroke [mm]	L1	L2	L3	L4	L5	L6
6	10	19	20	-	4	12	-
	20			-			-
	30			-			-
	40			40			-
	50			40			40

Data sheet

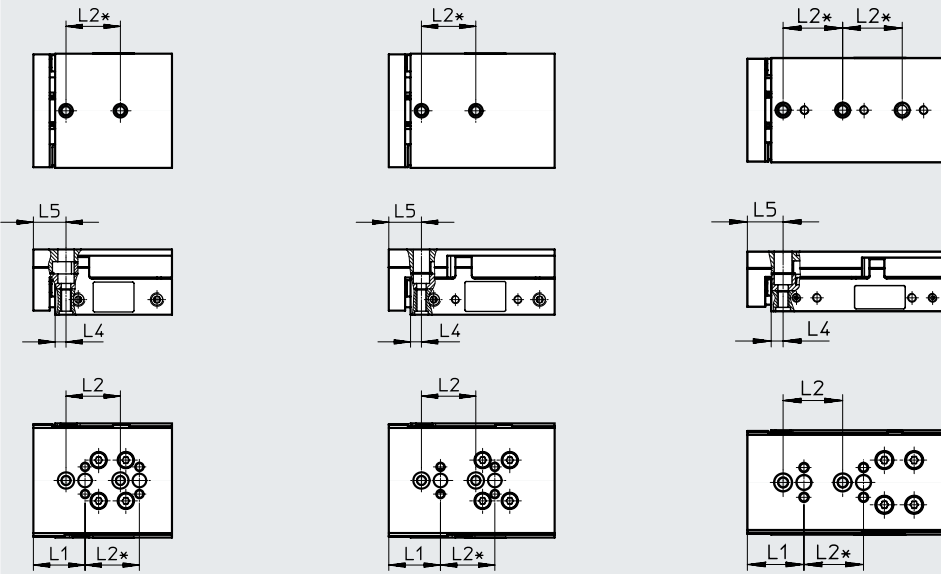
Hole pattern for mounting threads and centring holes

Download CAD data → [www.festo.com](http://www.festo.com)

DGST-8-10

DGST-8-20

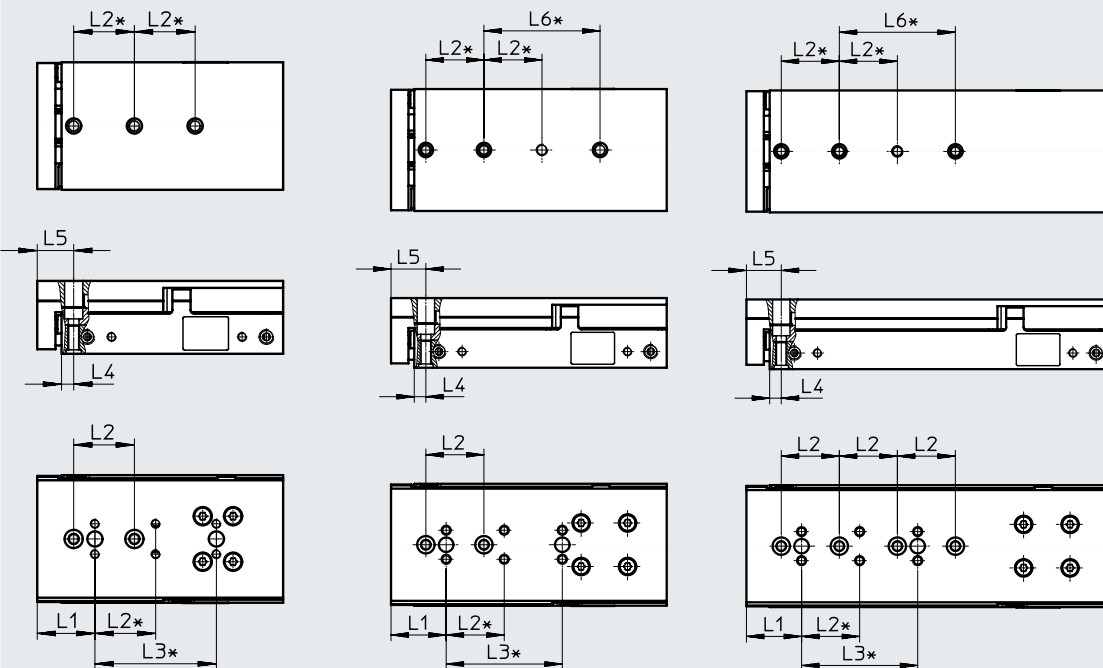
DGST-8-30



DGST-8-40

DGST-8-50

DGST-8-80



\* = ±0.02 mm applies to the centring  
 = ±0.1 mm applies to the thread

Size	Stroke [mm]	L1	L2	L3	L4	L5	L6
8	10	19	20	-	4	12	-
	20			-			-
	30			-			-
	40			40			-
	50			40			40
	80			40			40

Data sheet

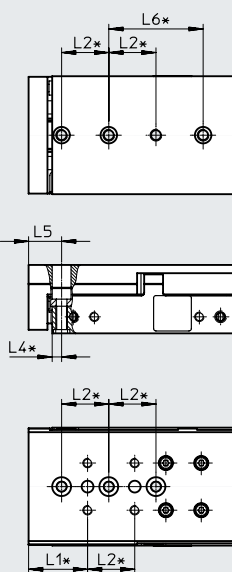
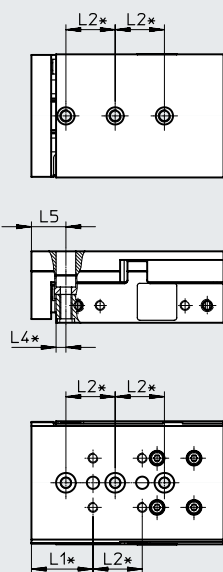
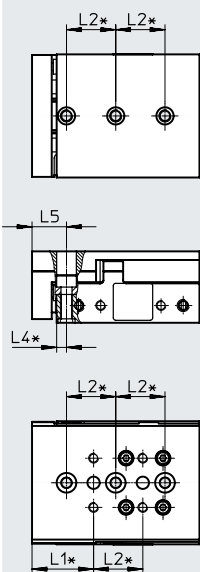
Hole pattern for mounting threads and centring holes

Download CAD data → [www.festo.com](http://www.festo.com)

DGST-10-1 0/20

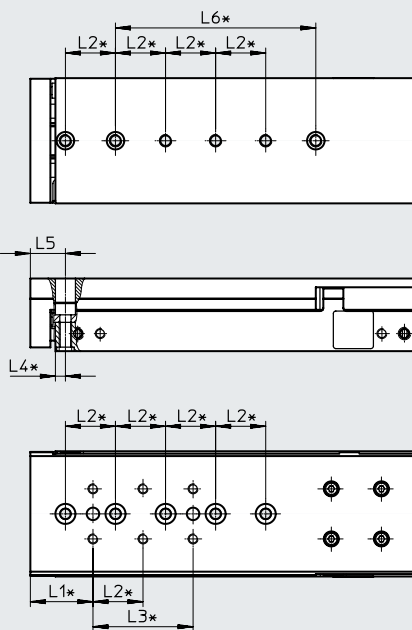
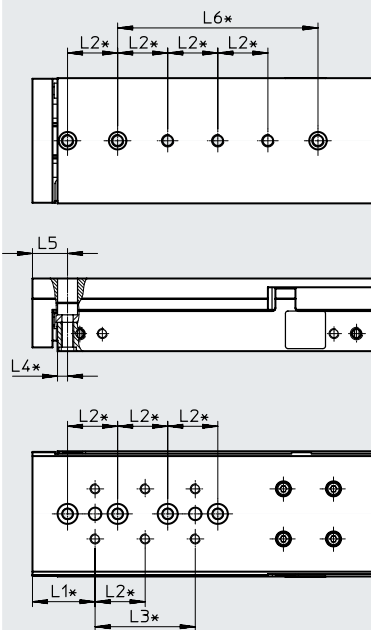
DGST-10-30

DGST-10-4 0/50



DGST-10-80

DGST-10-100



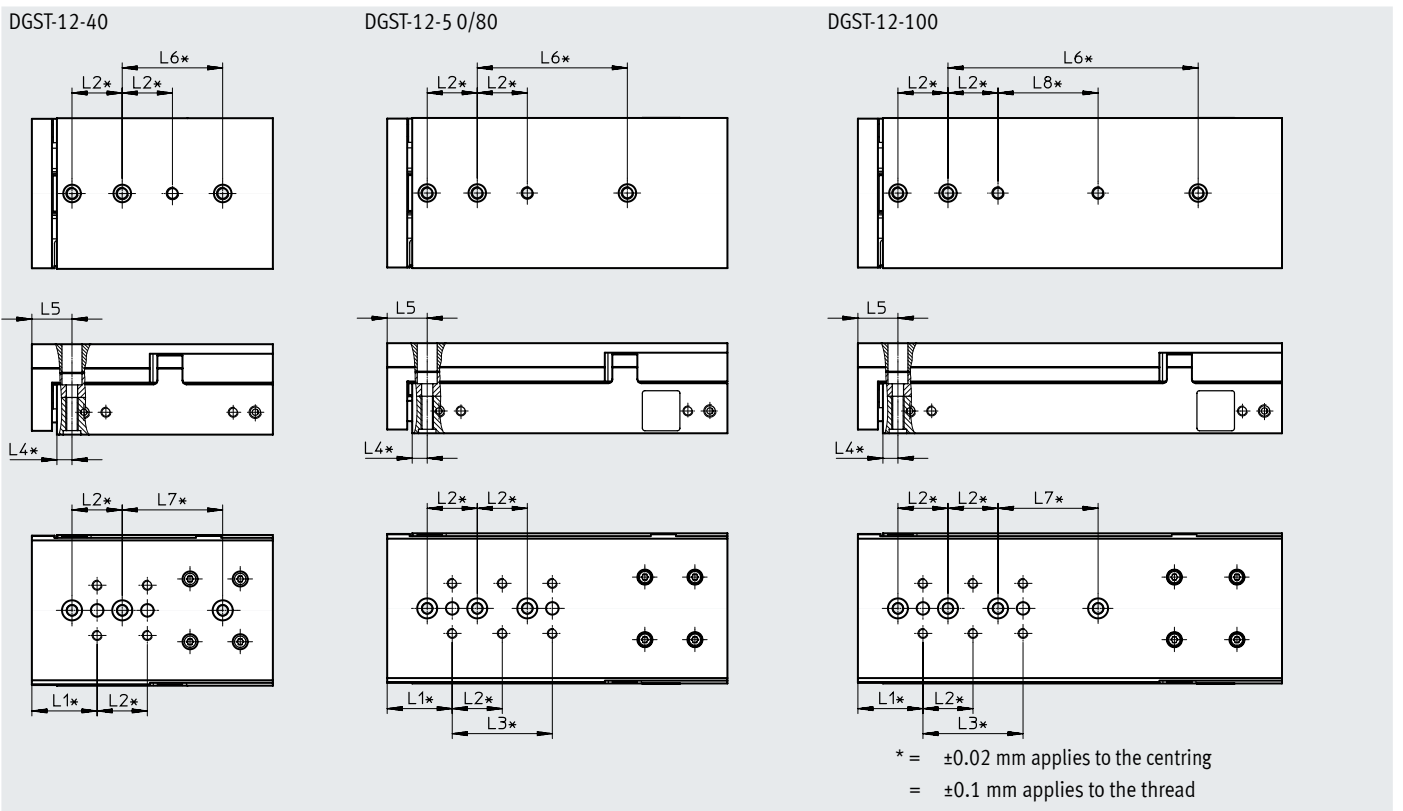
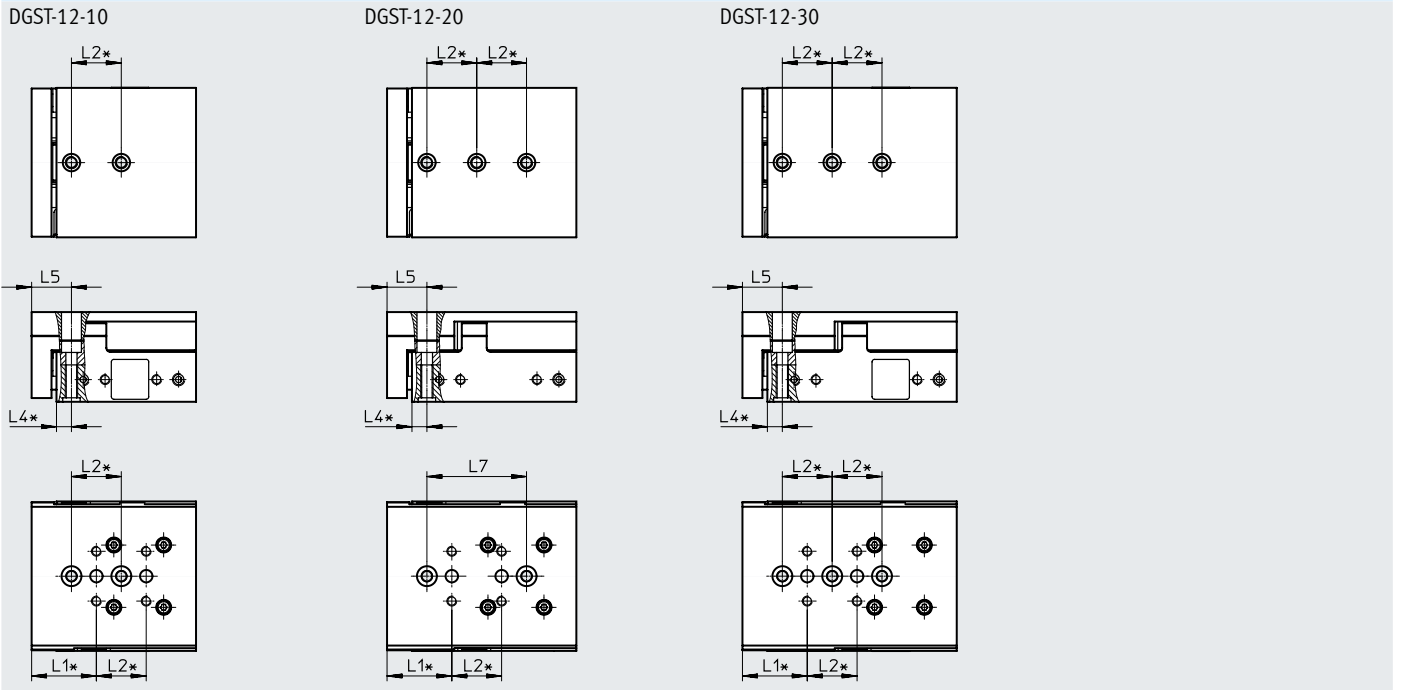
\* = ±0.02 mm applies to the centring  
 = ±0.1 mm applies to the thread

Size	Stroke [mm]	L1	L2	L3	L4	L5	L6
10	10, 20	25	20	-	4	14	-
	30			-			-
	40, 50			-			40
	80			40			80
	100			40			80

Data sheet

Hole pattern for mounting threads and centring holes

Download CAD data → [www.festo.com](http://www.festo.com)



Size	Stroke [mm]	L1	L2	L3	L4	L5	L6	L7	L8
12	10	26	20	-	6	16	-	-	-
	20			-			40	-	
	30			-			-	-	
	40			40			40	-	
	50, 80			40			-	-	
100	40	40	40						

Data sheet

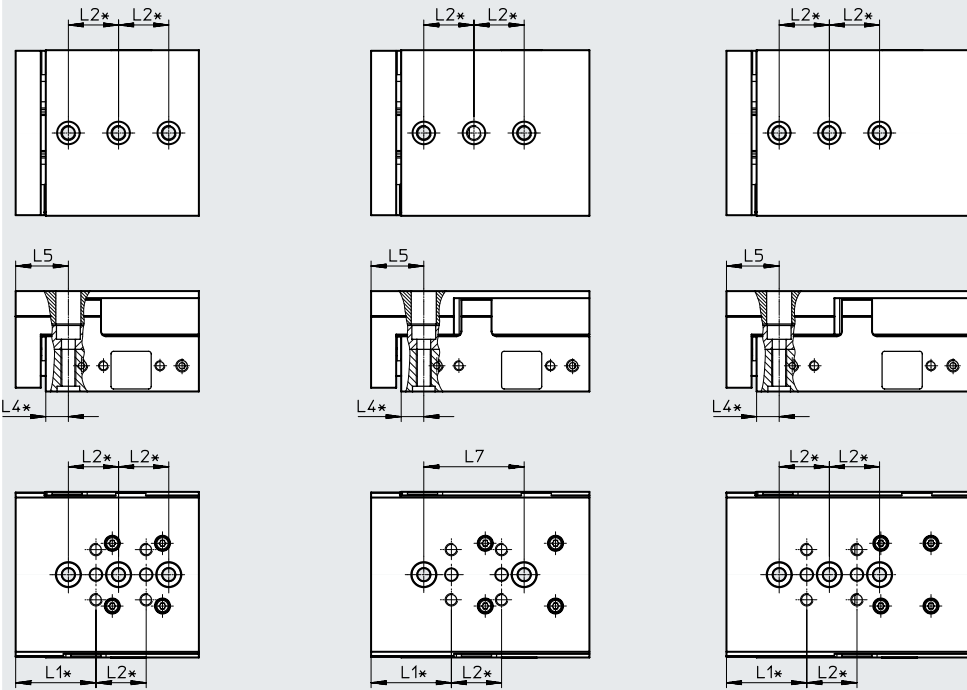
Hole pattern for mounting threads and centring holes

Download CAD data → [www.festo.com](http://www.festo.com)

DGST-16-10

DGST-16-2 0/30

DGST-16-40



\* = ±0.02 mm applies to the centring  
 = ±0.1 mm applies to the thread

Size	Stroke [mm]	L1	L2	L4	L5	L7
16	10	32	20	9	21	-
	20					40
	30					40
	40					-



Data sheet

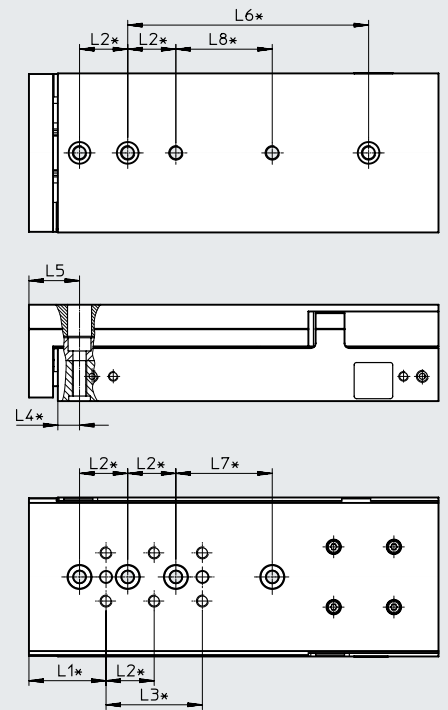
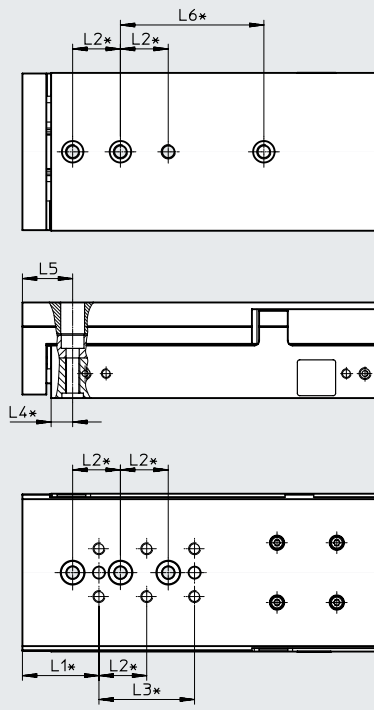
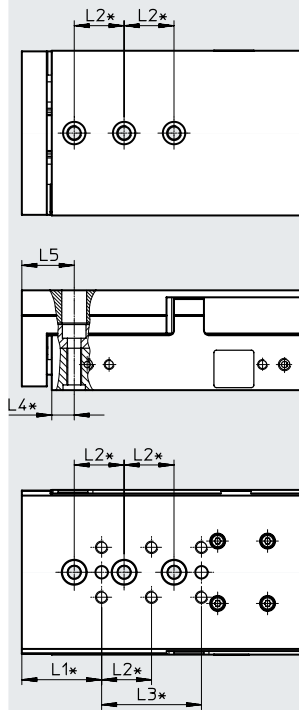
Hole pattern for mounting threads and centring holes

Download CAD data → [www.festo.com](http://www.festo.com)

DGST-16-50

DGST-16-80

DGST-16-100



\* = ±0.02 mm applies to the centring  
 = ±0.1 mm applies to the thread

Size	Stroke [mm]	L1	L2	L3	L4	L5	L6	L7	L8
16	50	32	20	40	9	21	-	-	-
	80						60	-	-
	100						100	40	40

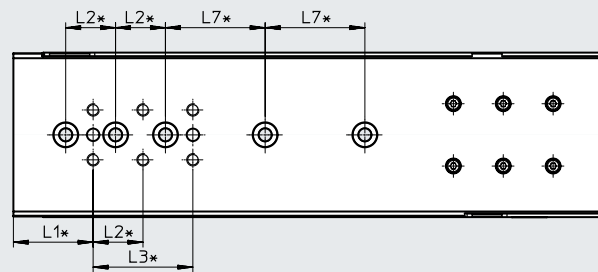
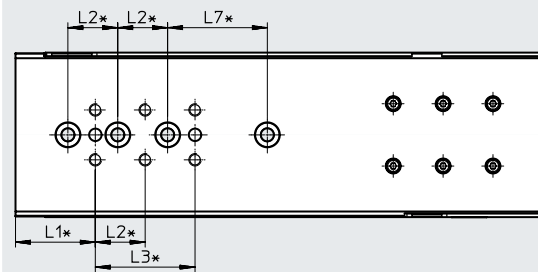
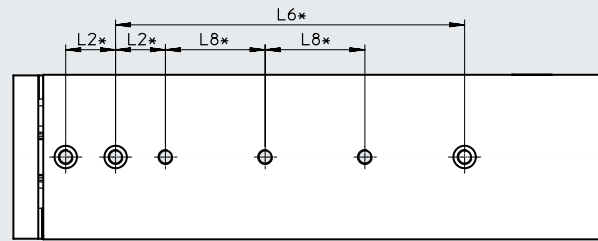
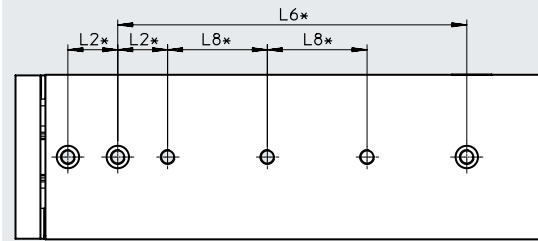
Data sheet

Hole pattern for mounting threads and centring holes

Download CAD data → [www.festo.com](http://www.festo.com)

DGST-16-125

DGST-16-150



\* = ±0.02 mm applies to the centring  
 = ±0.1 mm applies to the thread

Size	Stroke [mm]	L1	L2	L3	L4	L5	L6	L7	L8
16	125	32	20	40	9	21	140	40	40
	150								

Data sheet

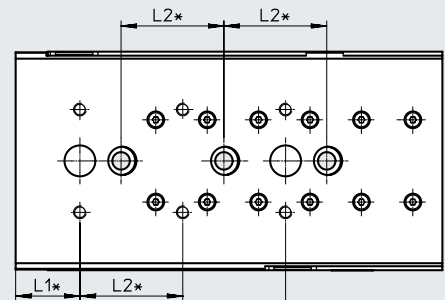
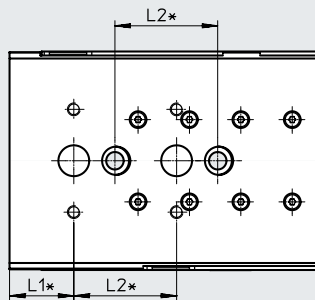
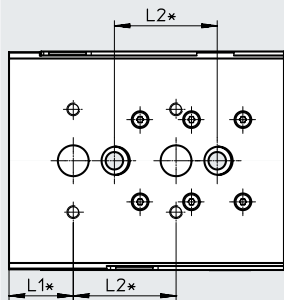
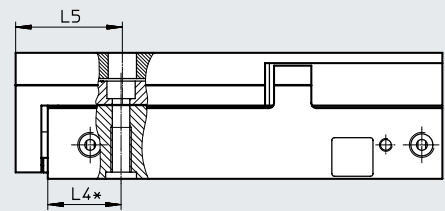
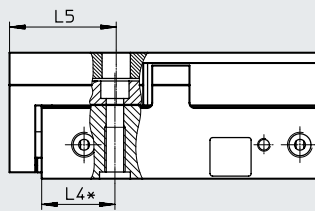
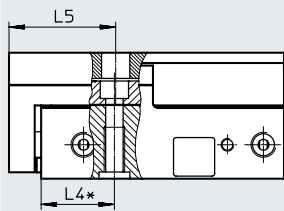
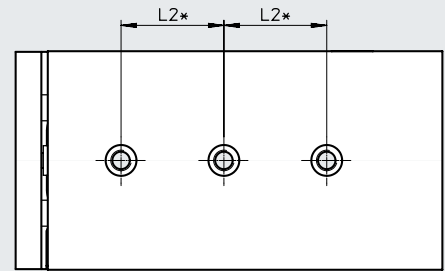
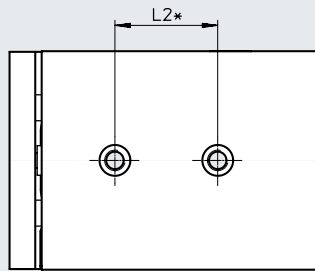
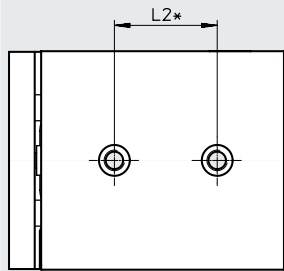
Hole pattern for mounting threads and centring holes

Download CAD data → [www.festo.com](http://www.festo.com)

DGST-20-1 0/20/3 0/40

DGST-20-50

DGST-20-80



\* = ±0.02 mm applies to the centring  
 = ±0.1 mm applies to the thread

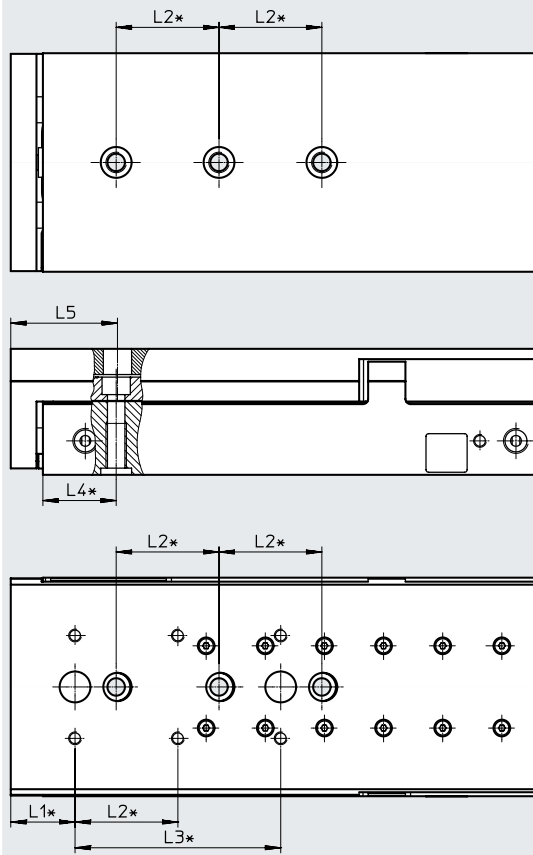
Size	Stroke [mm]	L1	L2	L3	L4	L5
20	10	25	40	-	28.5	41.5
	20			-		
	30			-		
	40			-		
	50			-		
	80			80		

Data sheet

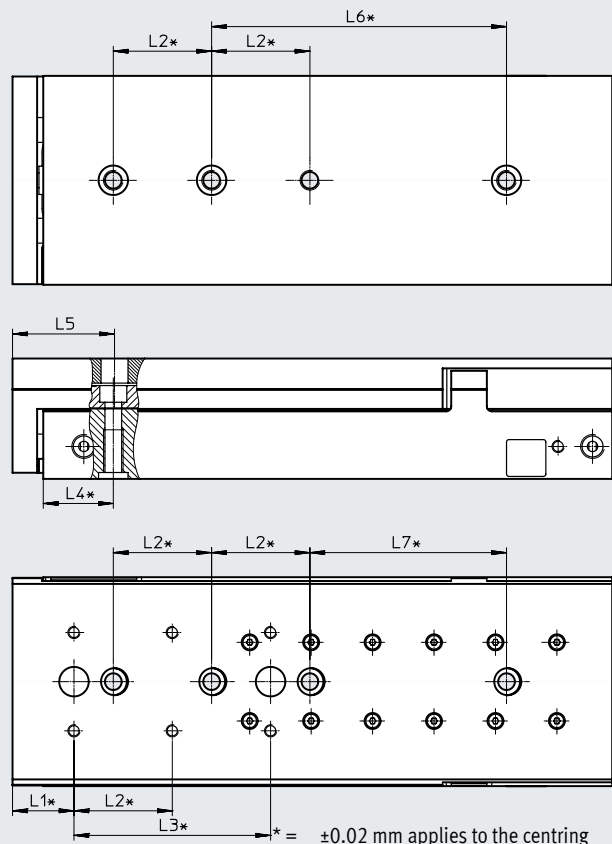
Hole pattern for mounting threads and centring holes

Download CAD data → [www.festo.com](http://www.festo.com)

DGST-20-100



DGST-20-125



\* =  $\pm 0.02$  mm applies to the centring  
 =  $\pm 0.1$  mm applies to the thread

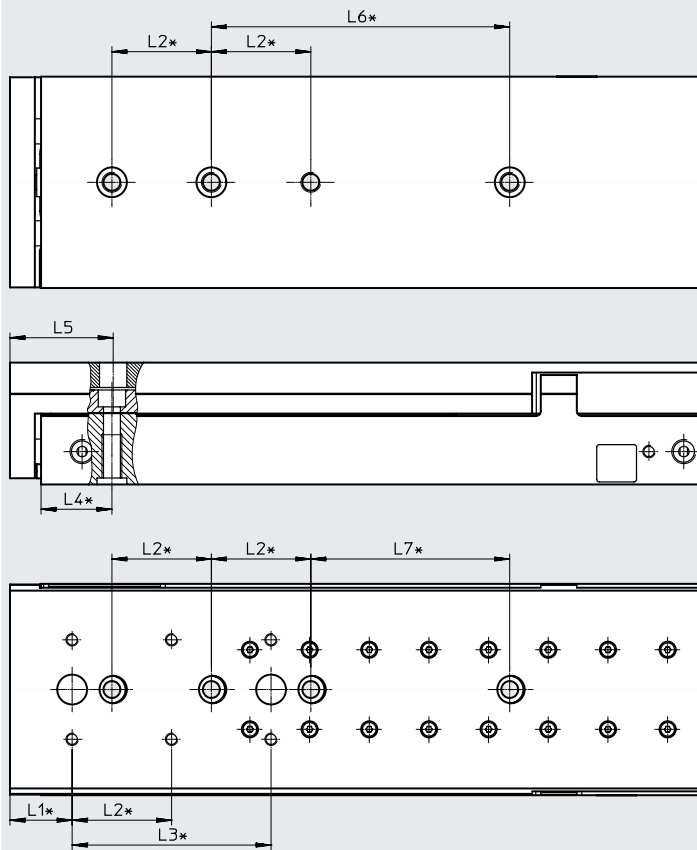
Size	Stroke [mm]	L1	L2	L3	L4	L5	L6	L7
20	100	25	40	80	28.5	41.5	-	80
	125						120	

Data sheet

Hole pattern for mounting threads and centring holes

Download CAD data → [www.festo.com](http://www.festo.com)

DGST-20-150



\* = ±0.02 mm applies to the centring  
 = ±0.1 mm applies to the thread

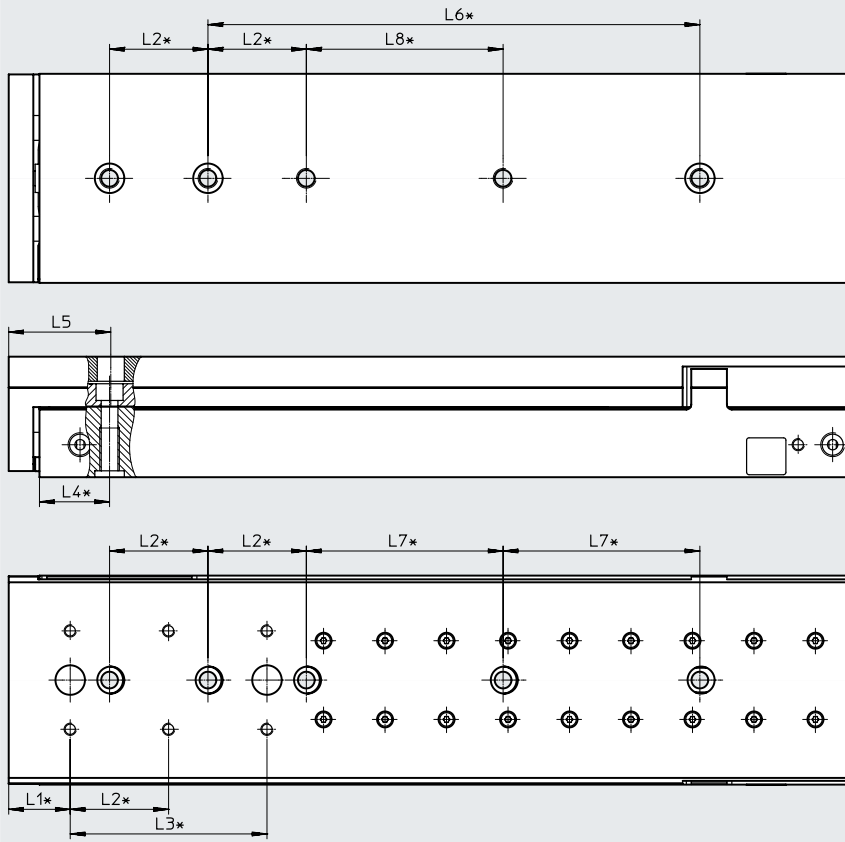
Size	Stroke [mm]	L1	L2	L3	L4	L5	L6	L7
20	150	25	40	80	28.5	41.5	120	80

Data sheet

Hole pattern for mounting threads and centring holes

Download CAD data → [www.festo.com](http://www.festo.com)

DGST-20-200



\* = ±0.02 mm applies to the centring  
 = ±0.1 mm applies to the thread

Size	Stroke [mm]	L1	L2	L3	L4	L5	L6	L7	L8
20	200	25	40	80	28.5	41.5	200	80	80

Data sheet

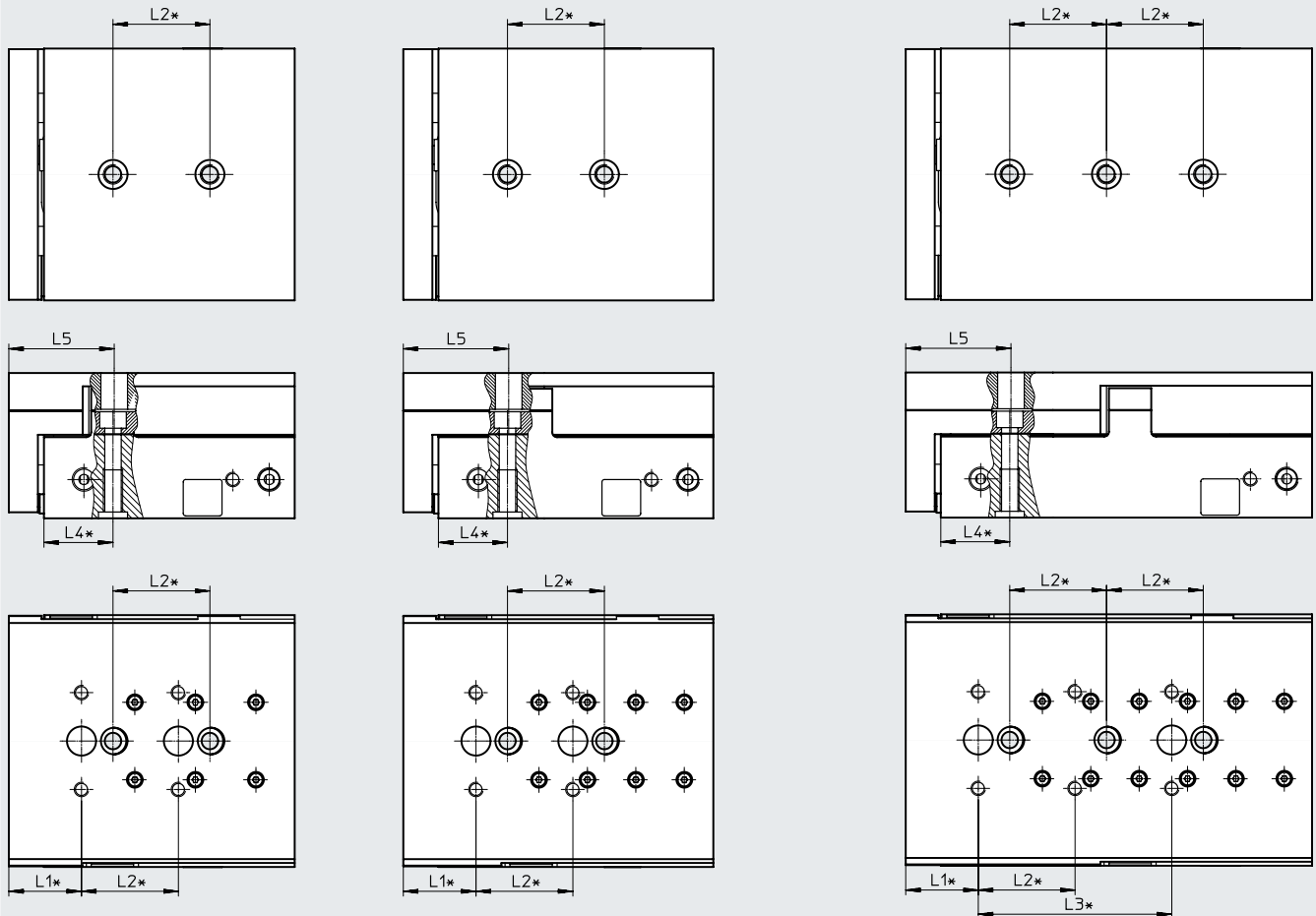
Hole pattern for mounting threads and centring holes

Download CAD data → [www.festo.com](http://www.festo.com)

DGST-25-1 0/20/3 0/40

DGST-25-50

DGST-25-80



\* = ±0.02 mm applies to the centring  
 = ±0.1 mm applies to the thread

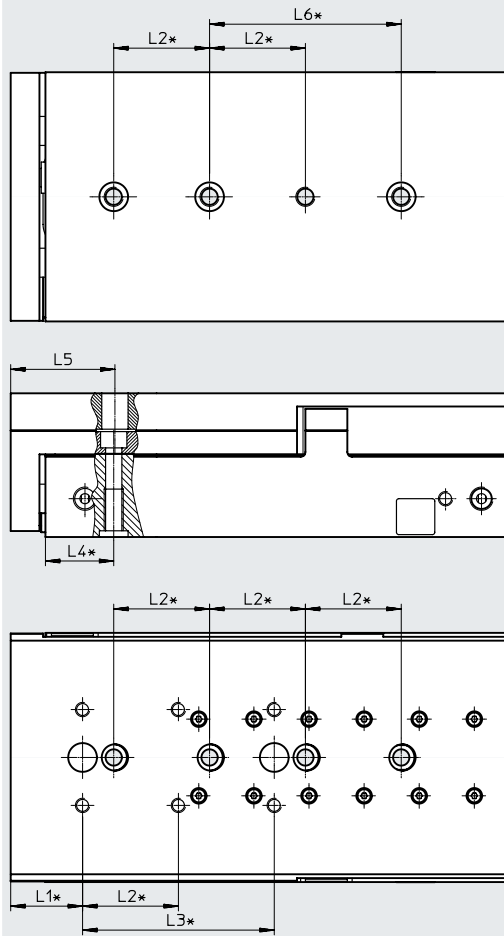
Size	Stroke [mm]	L1	L2	L3	L4	L5
25	10	30	40	-	28.5	43.5
	20			-		
	30			-		
	40			-		
	50			-		
	80			80		

Data sheet

Hole pattern for mounting threads and centring holes

Download CAD data → [www.festo.com](http://www.festo.com)

DGST-25-100



\* =  $\pm 0.02$  mm applies to the centring  
 =  $\pm 0.1$  mm applies to the thread

Size	Stroke [mm]	L1	L2	L3	L4	L5	L6	L7
25	100	30	40	80	28.5	43.5	80	80

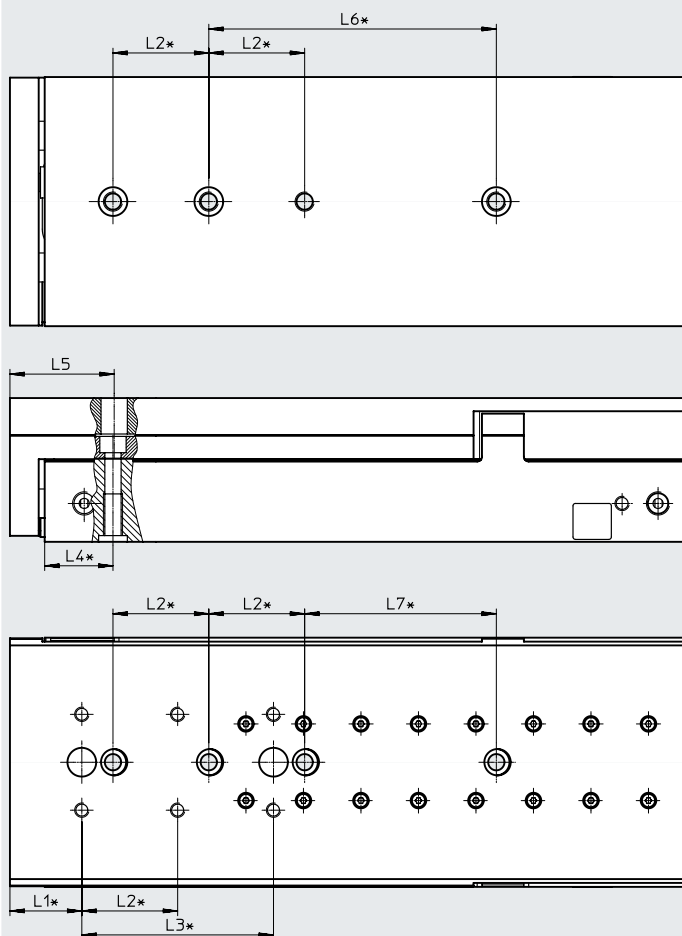


Data sheet

Hole pattern for mounting threads and centring holes

Download CAD data → [www.festo.com](http://www.festo.com)

DGST-25-125



\* =  $\pm 0.02$  mm applies to the centring  
 =  $\pm 0.1$  mm applies to the thread

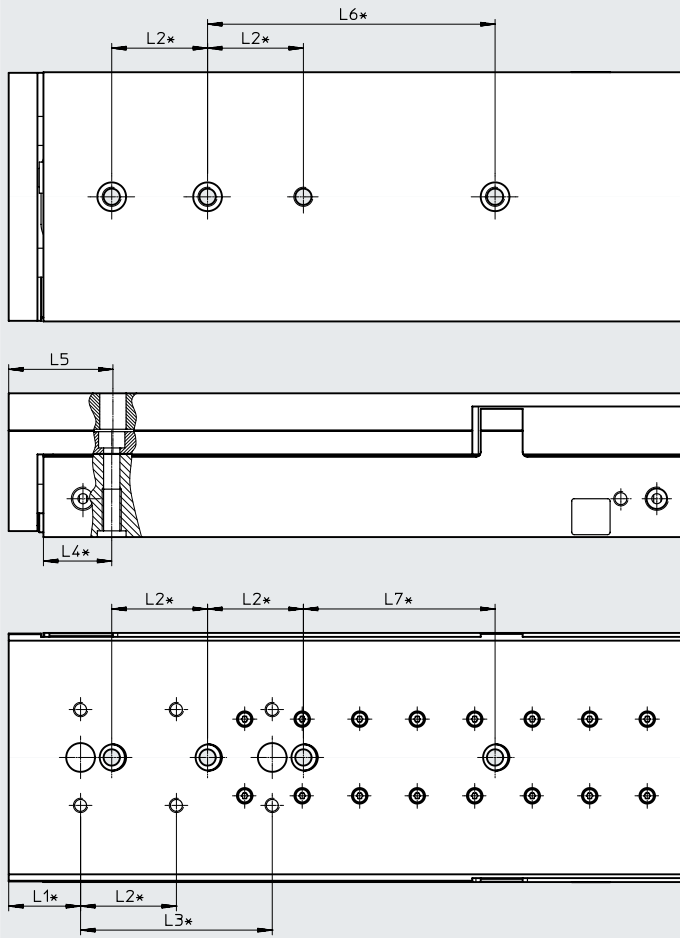
Size	Stroke [mm]	L1	L2	L3	L4	L5	L6	L7
25	125	30	40	80	28.5	43.5	120	80

Data sheet

Hole pattern for mounting threads and centring holes

Download CAD data → [www.festo.com](http://www.festo.com)

DGST-25-150



\* = ±0.02 mm applies to the centring  
 = ±0.1 mm applies to the thread

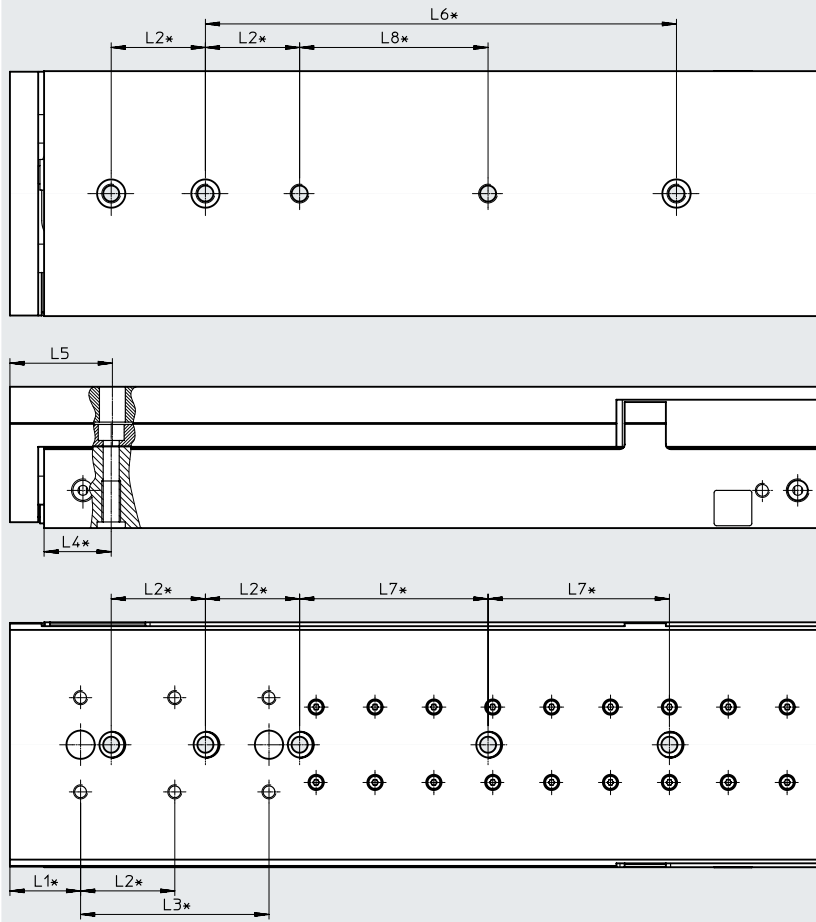
Size	Stroke [mm]	L1	L2	L3	L4	L5	L6	L7
25	150	30	40	80	28.5	43.5	120	80

Data sheet

Hole pattern for mounting threads and centring holes

Download CAD data → [www.festo.com](http://www.festo.com)

DGST-25-200



\* = ±0.02 mm applies to the centring  
 = ±0.1 mm applies to the thread

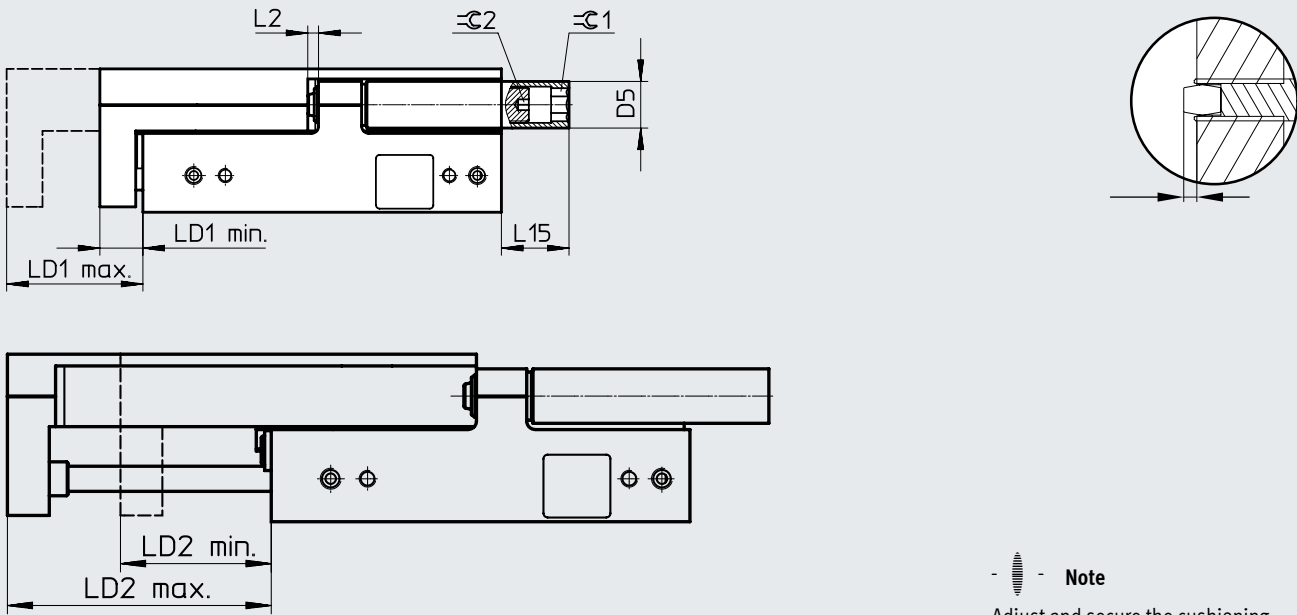
Size	Stroke [mm]	L1	L2	L3	L4	L5	L6	L7	L8
25	200	30	40	80	28.5	43.5	200	80	80

Data sheet

**Dimensions**

Download CAD data → [www.festo.com](http://www.festo.com)

DGST...-P: setting dimension and projection in the end positions



Size	Stroke [mm]	D5 ∅	LD1 retracted			LD2 advanced			L15	⌀ 1	⌀ 2
			Setting range	Min.	Max.	Setting range	Max.	Min.			
6	10	6	11.6	8.6	20.2	13.1	19	8.6	6	3	1.3
	20						29	15.9			
	30						39	25.9			
	40						49	35.9			
	50						59	45.9			
8	10	7	13.4	9.3	22.7	15.3	19	9.3	14.8	4	1.5
	20						29	13.7			
	30						39	23.7			
	40						49	33.7			
	50						59	43.7			
	80						89	73.7	10.8		
10	10	8	14.9	11.3	26.2	16.6	21	11.3	6.4	5	2
	20						31	14.4			
	30						41	24.4			
	40						51	34.4			
	50						61	44.4			
	80						91	74.4			
	100						111	94.4	5.9		
12	10	10	20.8	10.9	31.7	22.1	21	10.9	15.4	6	2.5
	20						31	10.9			
	30						41	18.9			
	40						51	28.9			
	50						61	38.9			
	80						91	68.9			
	100						111	88.9	1.9		

## Data sheet

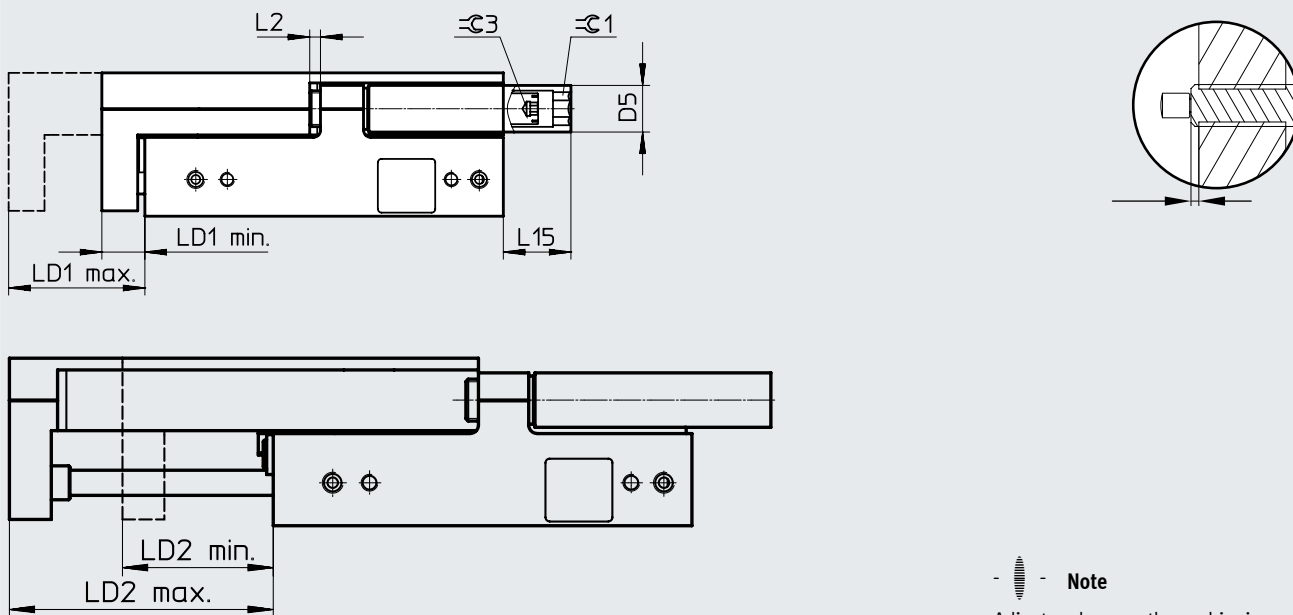
Size	Stroke [mm]	D5 ∅	LD1 retracted			LD2 advanced			L15	≈ 1	≈ 2
			Setting range	Min.	Max.	Setting range	Max.	Min.			
16	10	13	21.5	12.7	34.2	22.8	23	12.7	17.85	8	3
	20						33	12.7	20.85		
	30						43	20.2	23.85		
	40						53	30.2			
	50						63	40.2	18.85		
	80						93	70.2	10.85		
	100						113	90.2			
	125						138	115.2	0		
	150						163	140.2			
20	10	15	31.1	13.1	44.2	32.9	23.2	13.1	11.5	10	4
	20						33.2	13.1	21.5		
	30						43.2	13.1	31.5		
	40						53.2	20.3			
	50						63.2	30.3	27.5		
	80						93.2	60.3	12.5		
	100						113.2	80.3			
	125						138.2	105.3	0		
	150						163.2	130.3			
	200						213.2	180.3			
	25						10	18	45.4		
20		35.5	15.3	38.5							
30		45.5	15.3								
40		55.5	15.3	42.5							
50		65.5	18.5								
80		95.5	48.5	32.5							
100		115.5	68.5	13.5							
125		140.5	93.5								
150		165.5	118.5	0							
200		215.5	168.5								

Data sheet

**Dimensions**

Download CAD data → [www.festo.com](http://www.festo.com)

DGST...Y12: setting dimension and projection in the end positions



**Note**  
Adjust and secure the cushioning components under pressure.

Size	Stroke [mm]	D5 ∅	LD1 retracted			LD2 advanced			L15	≈C 1	≈C 3
			Setting range	Min.	Max.	Setting range	Max.	Min.			
6	30	6	9.6	8.6	18.2	11.2	39	27.8	6	3	_1)
	40						49	37.8			
	50						59	47.8	0		
8	30	7	14.8	9.3	24.1	16.8	39	22.2	14.8	4	2
	40						49	32.2			
	50						59	42.2	10.8		
	80						89	72.2	9.8		
10	30	8	14.3	11.3	25.6	16.1	41	24.9	13.9	5	2
	40						51	34.9			
	50						61	44.9			
	80						91	74.9	5.9		
	100						111	94.9			
12	30	10	15.2	10.9	26.1	16.7	41	24.3	15.4	6	2.5
	40						51	34.3			
	50						61	44.3			
	80						91	74.3			
	100						111	94.3			

1) There is a slot in the shock absorber for screwing it in.

## Data sheet

Size	Stroke [mm]	D5 ∅	LD1 retracted			LD2 advanced			L15	≈ 1	≈ 3
			Setting range	Min.	Max.	Setting range	Max.	Min.			
16	30	13	15.5	12.7	28.2	16.9	43	26.1	23.85	8	3
	40						53	36.1			
	50						63	46.1			
	80						93	76.1	10.85		
	100						113	96.1			
	125						138	121.1	0		
	150						163	146.1			
20	30	15	25.9	13.1	39	27.7	43.2	21.1	31.5	10	4
	40						53.2	25.5			
	50						63.2	35.5	12.5		
	80						93.2	65.5			
	100						113.2	85.5	0		
	125						138.2	110.5			
	150						163.2	135.5			
	200						213.2	185.5			
25	30	18	30.4	15.3	45.7	32	45.5	25.3	42.5	10	4
	40						55.5	25.3			
	50						65.5	33.5			
	80						95.5	63.5	32.5		
	100						115.5	83.5			
	125						140.5	108.5	0		
	150						165.5	133.5			
	200						215.5	183.5			

1) There is a slot in the shock absorber for screwing it in.

## Data sheet

Ordering data							
Size	Stroke [mm]	Part No.	Type code	Size	Stroke [mm]	Part No.	Type code
<b>With cushioning E1</b>				<b>With cushioning P</b>			
6	10	8078828	DGST-6-10-E1A	6	10	8085105	DGST-6-10-PA
	20	8078829	DGST-6-20-E1A		20	8085106	DGST-6-20-PA
	30	8078830	DGST-6-30-E1A		30	8085107	DGST-6-30-PA
	40	8078831	DGST-6-40-E1A		40	8085108	DGST-6-40-PA
	50	8078832	DGST-6-50-E1A		50	8085109	DGST-6-50-PA
8	10	★ 8078833	DGST-8-10-E1A	8	10	8085110	DGST-8-10-PA
	20	★ 8078834	DGST-8-20-E1A		20	8085111	DGST-8-20-PA
	30	★ 8078835	DGST-8-30-E1A		30	8085112	DGST-8-30-PA
	40	★ 8078836	DGST-8-40-E1A		40	8085113	DGST-8-40-PA
	50	★ 8078837	DGST-8-50-E1A		50	8085114	DGST-8-50-PA
	80	★ 8078838	DGST-8-80-E1A		80	8085115	DGST-8-80-PA
10	10	★ 8078839	DGST-10-10-E1A	10	10	8085116	DGST-10-10-PA
	20	★ 8078840	DGST-10-20-E1A		20	8085117	DGST-10-20-PA
	30	★ 8078841	DGST-10-30-E1A		30	8085118	DGST-10-30-PA
	40	★ 8078842	DGST-10-40-E1A		40	8085119	DGST-10-40-PA
	50	★ 8078843	DGST-10-50-E1A		50	8085120	DGST-10-50-PA
	80	★ 8078844	DGST-10-80-E1A		80	8085121	DGST-10-80-PA
	100	★ 8078845	DGST-10-100-E1A		100	8085122	DGST-10-100-PA
12	10	★ 8078846	DGST-12-10-E1A	12	10	8085123	DGST-12-10-PA
	20	★ 8078847	DGST-12-20-E1A		20	8085124	DGST-12-20-PA
	30	★ 8078848	DGST-12-30-E1A		30	8085125	DGST-12-30-PA
	40	★ 8078849	DGST-12-40-E1A		40	8085126	DGST-12-40-PA
	50	★ 8078850	DGST-12-50-E1A		50	8085127	DGST-12-50-PA
	80	★ 8078851	DGST-12-80-E1A		80	8085128	DGST-12-80-PA
	100	★ 8078852	DGST-12-100-E1A		100	8085129	DGST-12-100-PA
16	10	★ 8078853	DGST-16-10-E1A	16	10	8085130	DGST-16-10-PA
	20	★ 8078854	DGST-16-20-E1A		20	8085131	DGST-16-20-PA
	30	★ 8078855	DGST-16-30-E1A		30	8085132	DGST-16-30-PA
	40	★ 8078856	DGST-16-40-E1A		40	8085133	DGST-16-40-PA
	50	★ 8078857	DGST-16-50-E1A		50	8085134	DGST-16-50-PA
	80	★ 8078858	DGST-16-80-E1A		80	8085135	DGST-16-80-PA
	100	★ 8078859	DGST-16-100-E1A		100	8085136	DGST-16-100-PA
	125	8078860	DGST-16-125-E1A		125	8085137	DGST-16-125-PA
	150	8078861	DGST-16-150-E1A		150	8085138	DGST-16-150-PA

Festo core product range



Generally ready for dispatch from the factory within 24 hours

Generally ready for dispatch from the factory within 5 days



## Data sheet

Ordering data							
Size	Stroke [mm]	Part No.	Type code	Size	Stroke [mm]	Part No.	Type code
<b>With cushioning E1</b>				<b>With cushioning P</b>			
20	10	★ 8078862	DGST-20-10-E1A	20	10	8085139	DGST-20-10-PA
	20	★ 8078863	DGST-20-20-E1A		20	8085140	DGST-20-20-PA
	30	★ 8078864	DGST-20-30-E1A		30	8085141	DGST-20-30-PA
	40	★ 8078865	DGST-20-40-E1A		40	8085142	DGST-20-40-PA
	50	★ 8078866	DGST-20-50-E1A		50	8085143	DGST-20-50-PA
	80	★ 8078867	DGST-20-80-E1A		80	8085144	DGST-20-80-PA
	100	★ 8078868	DGST-20-100-E1A		100	8085145	DGST-20-100-PA
	125	8078869	DGST-20-125-E1A		125	8085146	DGST-20-125-PA
	150	8078870	DGST-20-150-E1A		150	8085147	DGST-20-150-PA
200	8078871	DGST-20-200-E1A	200	8085148	DGST-20-200-PA		
25	10	8078872	DGST-25-10-E1A	25	10	8085149	DGST-25-10-PA
	20	8078873	DGST-25-20-E1A		20	8085150	DGST-25-20-PA
	30	8078874	DGST-25-30-E1A		30	8085151	DGST-25-30-PA
	40	8078875	DGST-25-40-E1A		40	8085152	DGST-25-40-PA
	50	8078876	DGST-25-50-E1A		50	8085153	DGST-25-50-PA
	80	8078877	DGST-25-80-E1A		80	8085154	DGST-25-80-PA
	100	8078878	DGST-25-100-E1A		100	8085155	DGST-25-100-PA
	125	8078879	DGST-25-125-E1A		125	8085156	DGST-25-125-PA
	150	8078880	DGST-25-150-E1A		150	8085157	DGST-25-150-PA
200	8078881	DGST-25-200-E1A	200	8085158	DGST-25-200-PA		

Festo core product range



Generally ready for dispatch from the factory within 24 hours

Generally ready for dispatch from the factory within 5 days

## Data sheet

Ordering data			
Size	Stroke [mm]	Part No.	Type code
<b>With cushioning Y12</b>			
6	30	8085159	DGST-6-30-Y12A
	40	8085160	DGST-6-40-Y12A
	50	8085161	DGST-6-50-Y12A
8	30	8085162	DGST-8-30-Y12A
	40	8085163	DGST-8-40-Y12A
	50	8085164	DGST-8-50-Y12A
	80	8085165	DGST-8-80-Y12A
10	30	8085166	DGST-10-30-Y12A
	40	8085167	DGST-10-40-Y12A
	50	8085168	DGST-10-50-Y12A
	80	8085169	DGST-10-80-Y12A
	100	8085170	DGST-10-100-Y12A
12	30	8085171	DGST-12-30-Y12A
	40	8085172	DGST-12-40-Y12A
	50	8085173	DGST-12-50-Y12A
	80	8085174	DGST-12-80-Y12A
	100	8085175	DGST-12-100-Y12A
16	30	8085176	DGST-16-30-Y12A
	40	8085177	DGST-16-40-Y12A
	50	8085178	DGST-16-50-Y12A
	80	8085179	DGST-16-80-Y12A
	100	8085180	DGST-16-100-Y12A
	125	8085181	DGST-16-125-Y12A
20	150	8085182	DGST-16-150-Y12A
	30	8085183	DGST-20-30-Y12A
	40	8085184	DGST-20-40-Y12A
	50	8085185	DGST-20-50-Y12A
	80	8085186	DGST-20-80-Y12A
	100	8085187	DGST-20-100-Y12A
	125	8085188	DGST-20-125-Y12A
	150	8085189	DGST-20-150-Y12A
25	200	8085190	DGST-20-200-Y12A
	30	8085191	DGST-25-30-Y12A
	40	8085192	DGST-25-40-Y12A
	50	8085193	DGST-25-50-Y12A
	80	8085194	DGST-25-80-Y12A
	100	8085195	DGST-25-100-Y12A
	125	8085196	DGST-25-125-Y12A
	150	8085197	DGST-25-150-Y12A
200	8085198	DGST-25-200-Y12A	

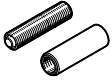
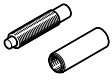

Festo core product range




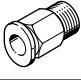


Generally ready for dispatch from the factory within 24 hours

Generally ready for dispatch from the factory within 5 days

## Accessories

Ordering data – Shock absorbers				
	For size	Description	Part No.	Type code
<b>For DGST...-P</b>			Data sheets → Internet: dyef	
	6	<ul style="list-style-type: none"> <li>Scope of delivery: 1 cushioning component and 1 threaded sleeve</li> <li>Elastic cushioning at both ends, self-adjusting, with end-position adjustment</li> <li>Included in the scope of delivery for DGST...-P (2 pieces)</li> </ul>	★ 8073902	DYEF-G8-M4-Y1
	8		★ 8073903	DYEF-G8-M5-Y1
	10		★ 8073904	DYEF-G8-M6-Y1
	12		★ 8073905	DYEF-G8-M8-Y1
	16		★ 8073906	DYEF-G8-M10-Y1
	20		★ 8073907	DYEF-G8-M12-Y1
	25		★ 8073908	DYEF-G8-M14-Y1
<b>For DGST...-Y12</b>			Data sheets → Internet: dyss	
	6	<ul style="list-style-type: none"> <li>Scope of delivery: 1 cushioning component and 1 threaded sleeve</li> <li>Shock absorbers at both ends, self-adjusting, with end-position adjustment</li> <li>Included in the scope of delivery for DGST...-Y12 (2 pieces)</li> <li>Only possible from a stroke of 30 mm</li> <li>Set minimum stroke ≥ 2x cushioning length</li> </ul>	★ 8073911	DYSS-G8-2-4-Y1F
	8		★ 8073912	DYSS-G8-3-4-Y1F
	10		★ 8073913	DYSS-G8-4-4-Y1F
	12		★ 8073914	DYSS-G8-5-5-Y1F
	16		★ 8073915	DYSS-G8-7-5-Y1F
	20		★ 8073916	DYSS-G8-8-8-Y1F
	25		★ 8073917	DYSS-G8-10-10-Y1F
<b>For DGST...-Y12</b>			Data sheets → Internet: dyss	
	6	<ul style="list-style-type: none"> <li>Scope of delivery: 1 cushioning component</li> <li>Shock absorbers at both ends, self-adjusting, with end-position adjustment</li> <li>Only possible from a stroke of 30 mm</li> <li>Set minimum stroke ≥ 2x cushioning length</li> <li>Can only be mounted with a threaded sleeve</li> </ul>	8081767	DYSS-2-4-Y1F
	8		8081768	DYSS-3-4-Y1F
	10		8081769	DYSS-4-4-Y1F
	12		8081770	DYSS-5-5-Y1F
	16		8069001	DYSS-7-5-Y1F
	20		8069002	DYSS-8-8-Y1F
	25		8069003	DYSS-10-10-Y1F

Ordering data					
	For size	Description	Part No.	Type code	PU1)
<b>Centring sleeve/centring pin ZBH, ZBS</b>			Data sheets → Internet: zbh		
	6, 8, 10, 12, 16	For centring loads and attachments on the slide	189652	ZBH-5	10
	20, 25		189653	ZBH-12	
	6	For centring loads and attachments on the yoke plate	525273	ZBS-2	
	8, 10		189652	ZBH-5	
	12, 16		186717	ZBH-7	
	20, 25		189653	ZBH-12	
	6, 8 <sup>2)</sup>		For centring the mini slide during mounting	189652	
	10, 12	186717		ZBH-7	
	16	150927		ZBH-9	
	20, 25	189653		ZBH-12	
	<b>Connector sleeve ZBV</b>			Data sheets → Internet: zbv	
	20	For centring loads and attachments on the yoke plate	548806	ZBV-12-9	10
<b>One-way flow control valve GRLA</b>			Data sheets → Internet: grla		
	6	For speed regulation	175041	GRLA-M3-QS-3	1
	8, 10, 12, 16		★ 193139	GRLA-M5-QS-6-D	
	20, 25		★ 193145	GRLA-1/8-QS-8-D	
<b>Push-in fitting QSM</b>			Data sheets → Internet: qs		
	6	For connecting compressed air tubing with standard outside diameters	★ 153303	QSM-M3-4	10
	8, 10, 12, 16		★ 153304	QSM-M5-4	
	20, 25		★ 153307	QSM-1/8-6	

1) Packaging unit

2) It is not possible to use an M4 screw in combination with the centring sleeve

Festo core product range

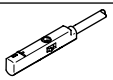
- ★ Generally ready for dispatch from the factory within 24 hours
- ★ Generally ready for dispatch from the factory within 5 days

Accessories

Proximity switch for size 6 ... 12

Ordering data – Proximity switch for C-slot, magneto-resistive

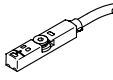
Data sheets → Internet: [smt](#)

	Type of mounting	Switching output	Electrical connection, outlet direction of connection	Cable length [m]	Part No.	Type code
<b>N/O contact</b>						
	Insertable in the slot from above	PNP	Cable, 3-wire, in-line	2.5	★ 551373	SMT-10M-PS-24V-E-2,5-L-OE
			Plug M8x1, 3-pin, in-line	0.3	★ 551375	SMT-10M-PS-24V-E-0,3-L-M8D
			Plug M8x1, 3-pin, crosswise	0.3	551376	SMT-10M-PS-24V-E-0,3-Q-M8D
		NPN	Cable, 3-wire	2.5	★ 551377	SMT-10M-NS-24V-E-2,5-L-OE
			Cable, 3-wire	2.5	551378	SMT-10M-NS-24V-E-2,5-Q-OE
			Plug M8x1, 3-pin, in-line	0.3	★ 551379	SMT-10M-NS-24V-E-0,3-L-M8D
			Plug M8x1, 3-pin, crosswise	0.3	551380	SMT-10M-NS-24V-E-0,3-Q-M8D

Proximity switch for size 16 ... 25


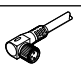
Ordering data – Proximity switch for T-slot, magneto-resistive

Data sheets → Internet: [smt](#)

	Type of mounting	Switching output	Electrical connection	Cable length [m]	Part No.	Type code
<b>N/O contact</b>						
	Insertable in the slot from above, flush with the cylinder profile, short design	PNP	Cable, 3-wire	2.5	★ 574335	SMT-8M-A-PS-24V-E-2,5-OE
			Plug M8x1, 3-pin	0.3	★ 574334	SMT-8M-A-PS-24V-E-0,3-M8D
		NPN	Cable, 3-wire	2.5	★ 574338	SMT-8M-A-NS-24V-E-2,5-OE
			Plug M8x1, 3-pin	0.3	★ 574339	SMT-8M-A-NS-24V-E-0,3-M8D

Ordering data – Connecting cables

Data sheets → Internet: [nebu](#)

	Electrical connection, left	Electrical connection, right	Cable length [m]	Part No.	Type code
	Straight socket, M8x1, 3-pin	Cable, open end, 3-wire	2.5	★ 541333	NEBU-M8G3-K-2.5-LE3
			5	★ 541334	NEBU-M8G3-K-5-LE3
	Angled socket, M8x1, 3-pin	Cable, open end, 3-wire	2.5	★ 541338	NEBU-M8W3-K-2.5-LE3
			5	★ 541341	NEBU-M8W3-K-5-LE3

Festo core product range

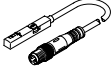
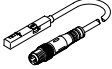
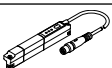
- ★ Generally ready for dispatch from the factory within 24 hours
- ☆ Generally ready for dispatch from the factory within 5 days


## Accessories


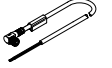
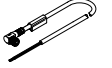
## Position transmitter

The position transmitter continuously senses the position of the piston.

It has an analogue output with an output signal in proportion to the piston position.

Ordering data – Position transmitter for T-slot								Data sheets → Internet: position transmitter	
	For ø	Position measuring range	Analogue output		Type of mounting	Electrical connection	Cable length [m]	Part No.	Type code
			[V]	[mA]					
	16 ... 25	0 ... 40	0 ... 10	–	Insertable in the slot from above	Plug M8x1, 4-pin, in-line	0.3	553744	SMAT-8M-U-E-0,3-M8D
	16 ... 25	0 ... 50	–	4 ... 20	Insertable in the slot from above	Plug M8x1, 4-pin, in-line	0.3	1531265	SDAT-MHS-M50-1L-SA-E-0.3-M8
		0 ... 80						1531266	SDAT-MHS-M80-1L-SA-E-0.3-M8
		0 ... 100						1531267	SDAT-MHS-M100-1L-SA-E-0.3-M8
		0 ... 125						1531268	SDAT-MHS-M125-1L-SA-E-0.3-M8
		0 ... 160						1531269	SDAT-MHS-M160-1L-SA-E-0.3-M8

Ordering data – Position transmitter for T-slot							Data sheets → Internet: sdas	
	Position measuring range	Description	Type of mounting	Electrical connection	Cable length [m]	Part No.	Type code	
								For ø 16: ≤ 28
For ø 20, 25: ≤ 32	Two adjustable switching outputs IO-Link	Cable, open end	2.5	8063975	SDAS-MHS-M40-1L-PNLK-PN-E-2.5-LE			

Ordering data – Connecting cables					Data sheets → Internet: nebu	
	Electrical connection, left	Electrical connection, right	Cable length [m]	Part No.	Type code	
						
5	541343	NEBU-M8G4-K-5-LE4				
	Angled socket, M8x1, 4-pin	Cable, open end, 4-wire	2.5	541344	NEBU-M8W4-K-2.5-LE4	
			5	541345	NEBU-M8W4-K-5-LE4	

Festo core product range



Generally ready for dispatch from the factory within 24 hours

Generally ready for dispatch from the factory within 5 days