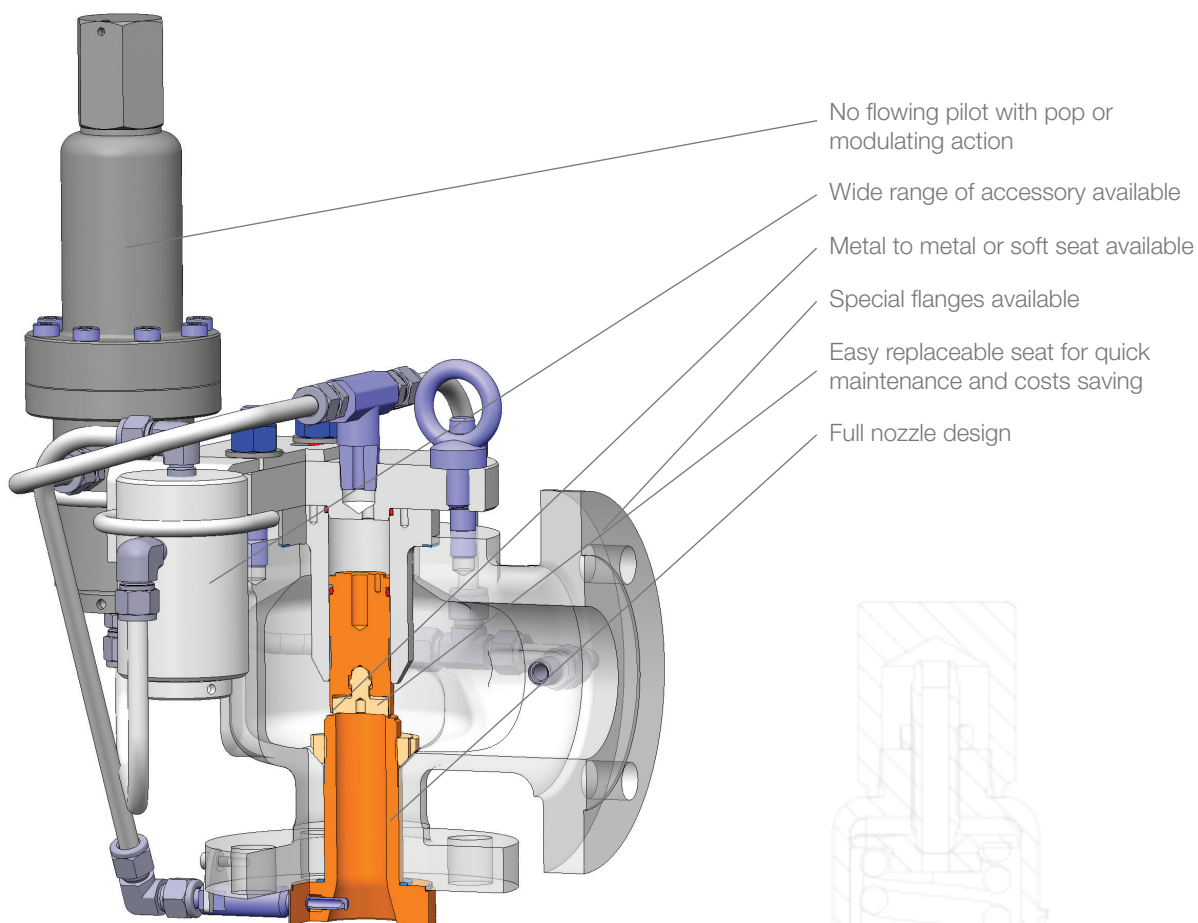


SVP-7200



Main features

Flanged, pop and modulating action, full nozzle pilot operating safety valves (ASME Sect.VIII).

Media: gas, steam and liquid.

Orifices: from "D" to "T"; intermediate orifices (K2, P2, Q2, R2) and full bore orifices available.

Set pressure range: from 1 bar to 690 bar. Back pressure: up to 80%.

Temperature range: from -252 °C to 288 °C (high temperature special design available)

Materials: carbon steel, alloy steel, hastelloy, monel and other materials upon request.

Options: metal or soft seat, field test connection, back flow preventer, pilot supply filter, remote pressure sense connection, manual unloader, test gag, pilot lift lever.

Sizes / Pressure Classes

Size inlet & outlet: from NPS 1 to NPS 8 & from NPS 2 to NPS 12. Dual outlet available.

Rating: up to ASME 2500. Special solution up to API 6A 15000 psi available.

Design Codes & Product Standards

EN ISO 4126-4, EN 764-7, EN 12516, EN 1092, API 520, API 521, API 526, API 527, ASME B16.34, ASME B16.5, ASME Sect.VIII.