

XOMOX®

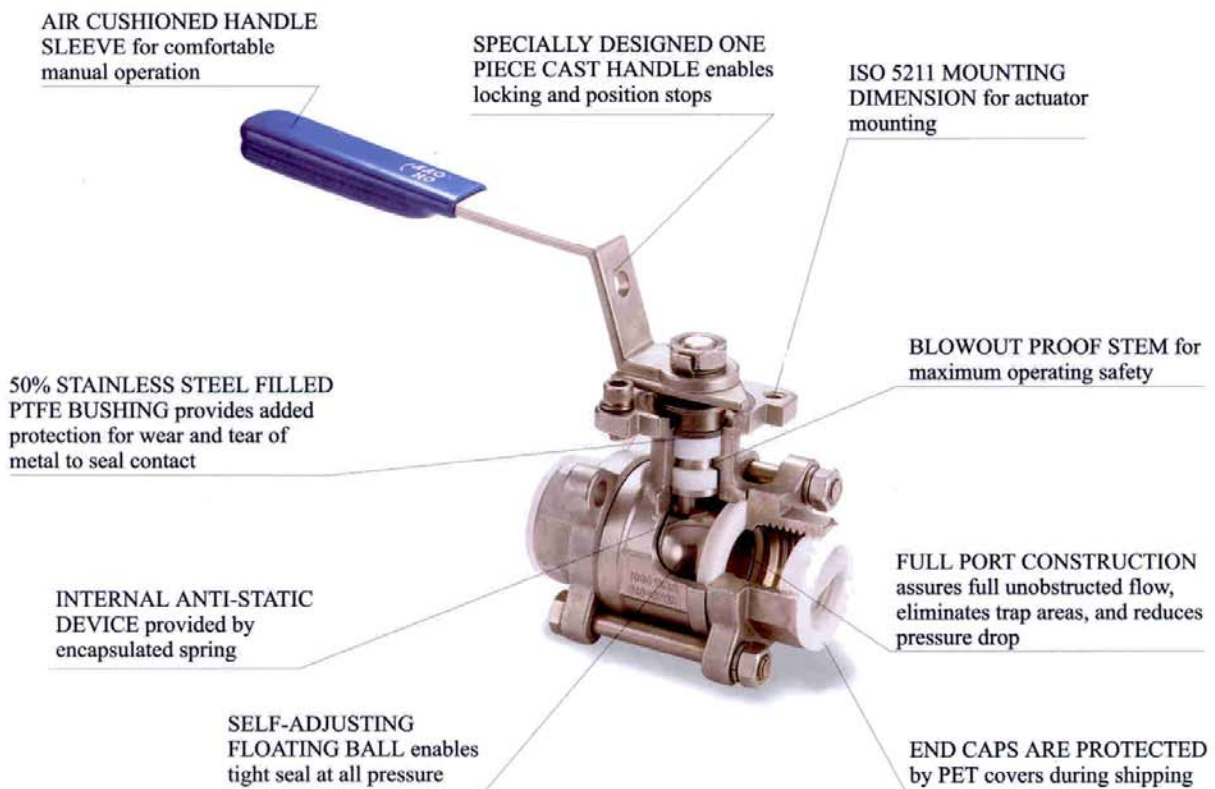
Technische Dokumentation Technical Documentation



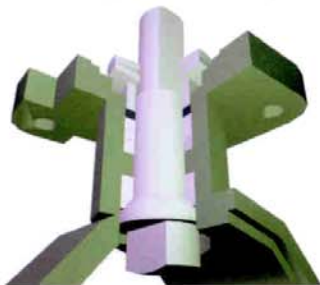
XOMOX® **3 Piece metal Ball valves Type 240**

XOMOX Three Piece Ball Valve Type 240

■ PRODUCT FEATURES



- ▶ **S2 STEM® DOUBLE SEALING DESIGN**
Our high cycle stem design is accomplished by double sealing system. The spherical segment ring(S2 Stem) provides as the primary sealing. Most of the media in the pipeline is contained by this sealing. To completely seal the leak path, triple layers of v-ring stem packing act as secondary sealing. On top of the sealings is a set of Belleville washers to automatically compress the seals to adjust for wear, pressure, and temperature fluctuations.



- ▶ **READILY MOUNTABLE**
On top of our valves are holes drilled according to ISO 5211 dimensions ready for actuator mounting. Also, we machine recesses on the top surface of our valves for installation of an optional secondary device.

XOMOX Three Piece Ball Valve Type 240

AVAILABLE END CONNECTIONS

▶ 70-100
THREADED



▶ 70-200
SOCKET WELD



▶ 70-300
BUTT WELD



▶ 70-400
EXTENDED BUTT WELD

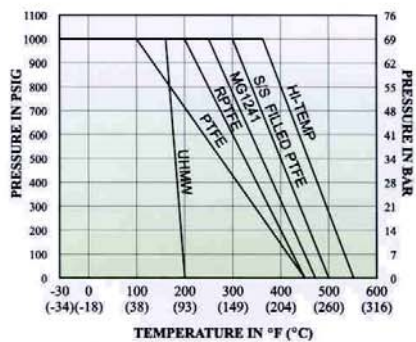


▶ 70-500
FLANGE (PN25/40)

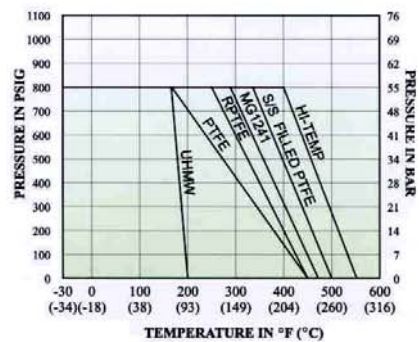


SEAT RATING CHART

▶ FOR VALVE ½" (DN15) TO 2" (DN50)

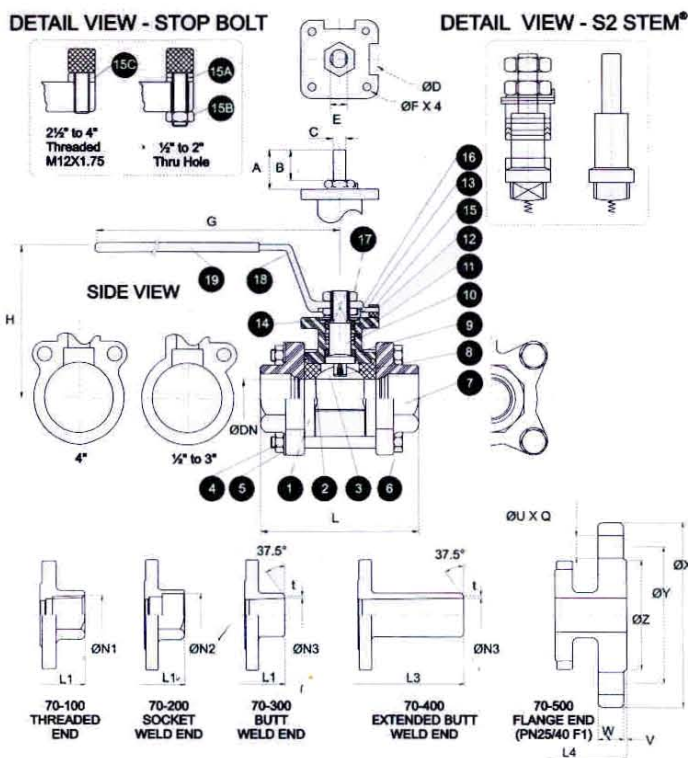


▶ FOR VALVE 2½" (DN65) TO 4" (DN100)



XOMOX Three Piece Ball Valve Type 240

■ DIMENSION (mm) AND MATERIAL OF CONSTRUCTION



MATERIALS FOR CF8M AND WCB BALL VALVES

| NO. | PART NAME | MATERIAL | | QTY |
|-----|---------------------|---------------------------------------|--------|-----|
| 1 | BODY | 1.4408 | 1.0619 | 1 |
| 2 | BALL SEAT | PTFE | | 2 |
| 3 | BALL | 1.4408 | | 1 |
| 4 | BOLT NUT | A2-70 | A2-70 | * |
| 5 | BOLT WASHER | A2-70 | A2-70 | * |
| 6 | BOLT | SUS304 | S45C | ** |
| 7 | CAP | 1.4408 | 1.0619 | 2 |
| 8 | SPRING | 1.4310 | | 1 |
| 9 | STEM SEAL | PTFE | | 1 |
| 10 | STEM | SUS316 | | 1 |
| 11 | V-RING STEM PACKING | PTFE | | 1 |
| 12 | THRUST WASHER | 50% PTFE + 50% STAINLESS STEEL POWDER | | 1 |
| 13 | GLAND | SUS304 | | 1 |
| 14 | BELLEVILLE WASHER | 1.4310 | 1.4310 | 2 |
| 15 | STOP BOLT | SUS304 | S45C | 1 |
| 15A | STOP WASHER | SUS304 | S45C | 2 |
| 15B | STOP NUT | SUS304 | S45C | 1 |
| 15C | STOP GLAND | SUS304 | SUS304 | 1 |
| 16 | LOCK SADDLE | SUS304 | | 1 |
| 17 | HANDLE NUT | SUS304 | | † |
| 18 | HANDLE | SUS304 ‡ | | 1 |
| 19 | HANDLE SLEEVE § | VINYL | | 1 |

* 1/2" to 2" = 4pcs, 2 1/2" = 8pcs, 3" to 4" = 12pcs
 ** 1/2" to 2 1/2" = 4pcs, 3" to 4" = 6pcs
 † 1/2" to 3" = 2pcs, 4" = 1pc
 ‡ 4" valve uses cast iron handle
 § 1/2" to 3" valve uses air cushioned handle sleeve. 4" valve does not have handle sleeve

| SIZE | A | B | C | ØD | E | ØF | G | H | ØDN | L | | | ØN1 | ØN2 | | ØN3 | | t | ØU | Q | V | W | ØX | ØY | ØZ |
|--------|------|------|------|-----|-----------|----------|-----|-----|------|-------|----|-------|----------|-------|-------|-------|----------|------|-----|----|---|----|-----|-----|-----|
| | | | | | | | | | | L1 | L3 | L4 | | ISO | ANSI | ISO | ANSI S40 | | | | | | | | |
| 1/2" | 17.5 | 11.5 | 6.3 | 42 | 3/8-24N | 5.5 | 135 | 82 | 15.0 | 72.0 | | 130.0 | NPT | 22.4 | 22.4 | 15.8 | 15.8 | 0.8 | 14 | 4 | 2 | 16 | 95 | 65 | 45 |
| 3/4" | 17.5 | 11.5 | 6.3 | 42 | 3/8-24N | 5.5 | 135 | 86 | 20.0 | 85.0 | | 150.0 | or | 27.4 | 27.4 | 21.0 | 21.0 | 1.0 | 14 | 4 | 2 | 18 | 105 | 75 | 58 |
| 1" | 20.0 | 12.0 | 8.0 | 50 | 7/16-20N | 6.5 | 165 | 98 | 25.0 | 92.0 | | 160.0 | PT | 34.2 | 34.2 | 26.6 | 26.6 | 1.6 | 14 | 4 | 2 | 18 | 115 | 85 | 68 |
| 1 1/4" | 20.0 | 12.0 | 8.0 | 50 | 7/16-20N | 6.5 | 165 | 102 | 32.0 | 110.0 | | 180.0 | or | 43.0 | 43.0 | 35.1 | 35.1 | 1.6 | 18 | 4 | 2 | 18 | 140 | 100 | 78 |
| 1 1/2" | 23.5 | 14.0 | 9.5 | 70 | 5/8-18N | 8.5 | 200 | 119 | 38.0 | 123.0 | | 200.0 | PF | 49.0 | 49.0 | 40.9 | 40.9 | 1.6 | 18 | 4 | 3 | 18 | 150 | 110 | 88 |
| 2" | 23.5 | 14.0 | 9.5 | 70 | 5/8-18N | 8.5 | 200 | 128 | 50.8 | 142.0 | | 230.0 | | or | 61.1 | 61.1 | 52.5 | 52.5 | 1.6 | 18 | 4 | 3 | 20 | 165 | 125 |
| 2 1/2" | 40.0 | 26.0 | 15.0 | 102 | 3/4-16N | M12X1.75 | 250 | 162 | 65.0 | 174.0 | | 290.0 | DIN 2999 | 77.1 | 73.1 | 68.9 | 62.7 | 2.0 | 18 | 8 | 3 | 22 | 180 | 145 | 122 |
| 3" | 40.0 | 26.0 | 15.0 | 102 | 3/4-16N | M12X1.75 | 250 | 172 | 76.0 | 193.0 | | 310.0 | | or | 90.2 | 90.2 | 77.9 | 77.9 | 2.0 | 18 | 8 | 3 | 24 | 200 | 160 |
| 4" | 47.0 | 24.0 | 17.0 | 102 | 1-1/8-12N | M12X1.75 | 300 | 197 | 97.4 | 221.4 | | 350.0 | | 115.1 | 115.1 | 102.3 | 102.3 | 2.0 | 22 | 8 | 3 | 24 | 235 | 190 | 162 |