

“ADCATROL” CONTROL VALVES V25 (EN)

(V25 globe control valves suitable for linear actuators PA and EL series)

DESCRIPTION

The V25 control valves are single seated, two-way body constructed with in-line straight connections. The valves can be supplied with PA pneumatic actuator-rubber diaphragm and multi-springs DA-direct action (air to close) or RA-reverse action (air to open) or they can also be supplied with EL electric actuators. The V25 valves have been designed to assure an accurate control in any process condition. Their wide application ranges allows the use of this valve with the most common process fluids such as water, superheated water, steam, air, gas and other non corrosive fluids.

MAIN FEATURES

Single seated, two ways, direct or reverse action valve.
Valve top flange permanently attached to the body, removal is unnecessary for replacing the actuator.
Metal to metal or soft sealing.



<p>OPTIONS:</p> <ul style="list-style-type: none"> Perforated low noise plug Bellows sealed Stainless steel construction. <p>USE:</p> <ul style="list-style-type: none"> Saturated and superheated steam. Hot and superheated water. Air, gases and other noncorrosive fluids. <p>AVAILABLE MODELS:</p> <p>V25G and V25S</p> <p>VALVE SIZES:</p> <p>DN125 to DN150</p> <p>CONNECTIONS:</p> <p>Flanged EN1092-1/-2 PN16 - PN40</p> <p>ACTUATORS:</p> <p>PA or EL series</p> <p>HOW TO SELECT: Never size the valve according to the pipe diameter in which it has to be fitted but according to the required actual flow of steam or water. Refer to valve calculation data sheet or consult the factory.</p>	<p>BONNET :</p> <p>From -5°C to +220°C (standard) Finned for temperature >220°C</p> <p>STEM SEALING:</p> <p>PTFE/GR V-Rings - up to 220°C (Standard bonnet) Graphite - up to 400°C (Finned bonnet) Stainless steel bellows</p> <p>PLUG CHARACTERISTICS:</p> <p>EQP - Equal percentage PL - Linear PT - On-Off</p> <p>PLUG DESIGN :</p> <p>Contoured (on request) V-ported Perforated (Low noise, anti-cavitation)</p> <p>PORT:</p> <p>Full port or reduced on request</p>
---	---

CE MARKING (PED - European Directive 97/23/EC)			
PN 16	PN 25	PN 40	Category
DN125 to DN150	DN125	/	1 (CE Marked)
/	DN150	DN125 to DN150	2 (CE Marked)

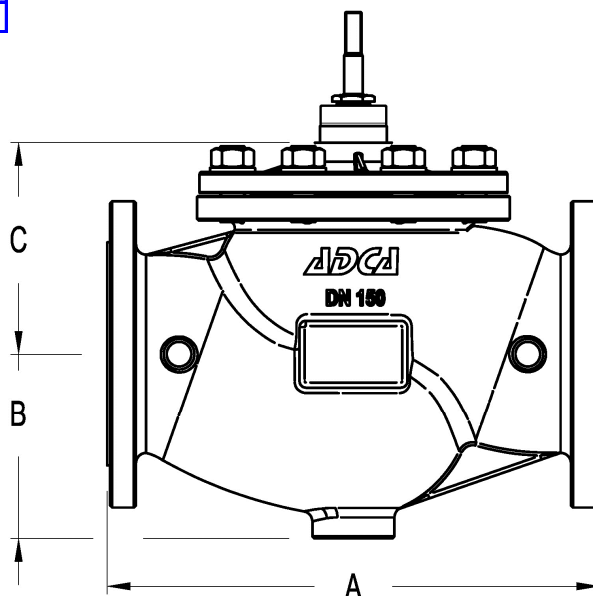
VALVE BODY LIMITING CONDITIONS

V25G - PN16 *		V25S - PN40 *	
ALLOWABLE PRESSURES	RELATED TEMP.	ALLOWABLE PRESSURES	RELATED TEMP.
16 bar	-10/50 °C	40 bar	-10 /50° C
13,3 bar	200 °C	33,3 bar	200 °C
12,1 bar	250 °C	27,6 bar	300 °C
11 bar	300 °C	25,7 bar	350 °C
10,2	350 °C	23,8 bar	400 °C

Note: Maximum temperature limited to the valve packing selected.

Valves with soft seat , maximum allowable temperature : 200°C

*Rating according to EN 1092-1:2007


DIMENSIONS - STROKE - FLOW RATE COEFICIENTS

DN	A (mm)	B (mm)	C (mm)		STROKE (mm)	Kvs (m3/h)		
			BONNET			V-Ported EQP & PL*	Perforated PL	Perforated EQP
			STANDARD	EXTENDED				
125	400	135	183	580	40	230,6	180	121
150	480	150	200	595	40/50	316,1	260	189

*PL characteristic can be used also for on-off (PT) control.

Perforated plugs and on-off valves may have different strokes, please see IS PV10.00 E or consult factory.

Kvs in m3/h , see data sheet IS PV10.00 E ; For conversion Kvs = Cv(US) x 0,855

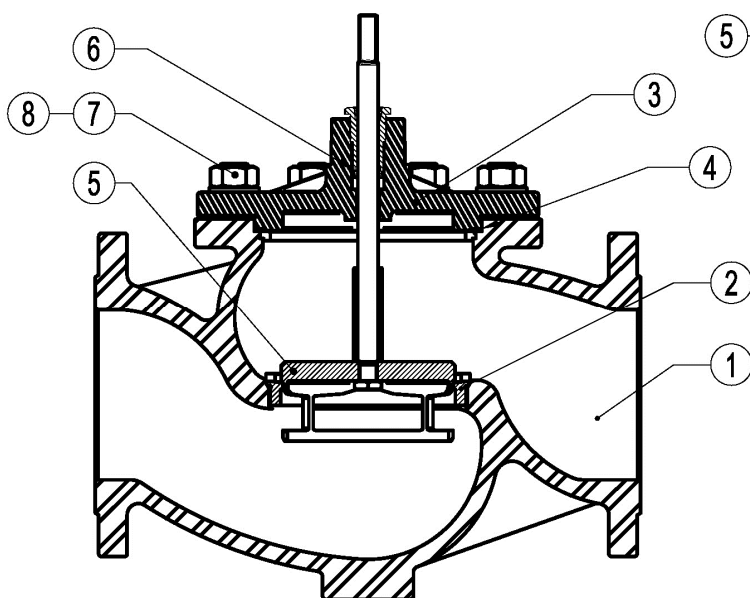
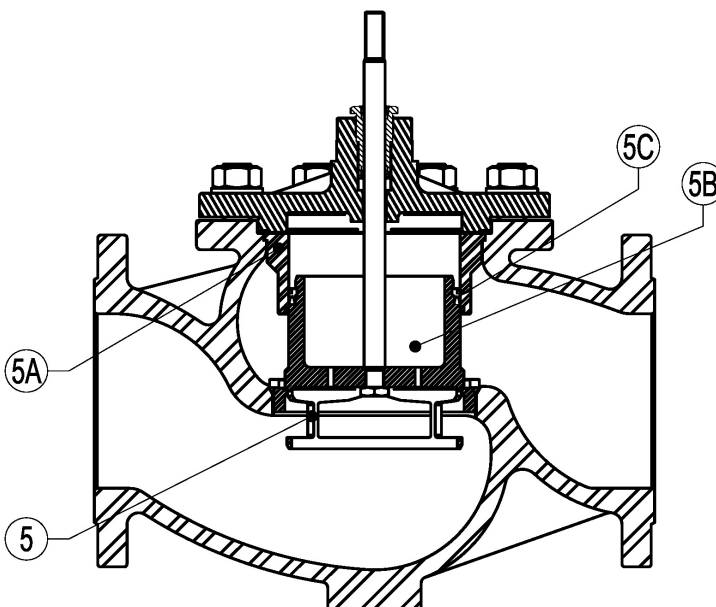
PLUG DESIGN

V - Ported Equal percentage - EQP	V - Ported Linear - PL	Perforated Equal percentage - EQP	Perforated Linear - PL

V-Ported and perforated plugs are also available in balanced pressure version.

MATERIALS		
POS.	DESIGNATION	MATERIAL V25G - V25S
1	Valve Body	ASTM A216WCB / 1.0619 ; GP240GH / 1.0619
2	*Seat	Stainless steel
3	Bonnet	ASTM A216WCB / 1.0619 ; GP240GH / 1.0619
4	*Gasket	Stainless steel / Graphite
5	*Valve plug	Stainless steel
5A	*Valve sleeve	Stainless steel
5B	Balance piston	Stainless steel
5C	Sealing rings	St.St./Graphite
6	*Standard packing	Graphite
7,8	Bolts and Nuts	Steel

* Available spare parts


VALVE DESIGN - FLOW DIRECTION

STANDARD V - PORTED PLUG	STANDARD PERFORATED PLUG	BALANCED V - PORTED PLUG	BALANCED PERFORATED PLUG