

KEYSTONE HYGIENIC PRODUCTS - CHECK VALVE

FIGURE 264J

Stainless steel non-return valve for reverse flow protection


FEATURES

- Stainless steel construction.
- In-line cleanability.
- High flow co-efficient values.
- Compact design.
- Easy maintenance.
- Resilient seal for tight shut-off.
- Can be installed in any position.
- End connections available in:
 - Butt weld or Clamp as standard.
 - Other end connections available upon request.
- Flow direction indicator.

GENERAL APPLICATIONS

Ideal for general process, filling lines and backflow prevention on liquid service.

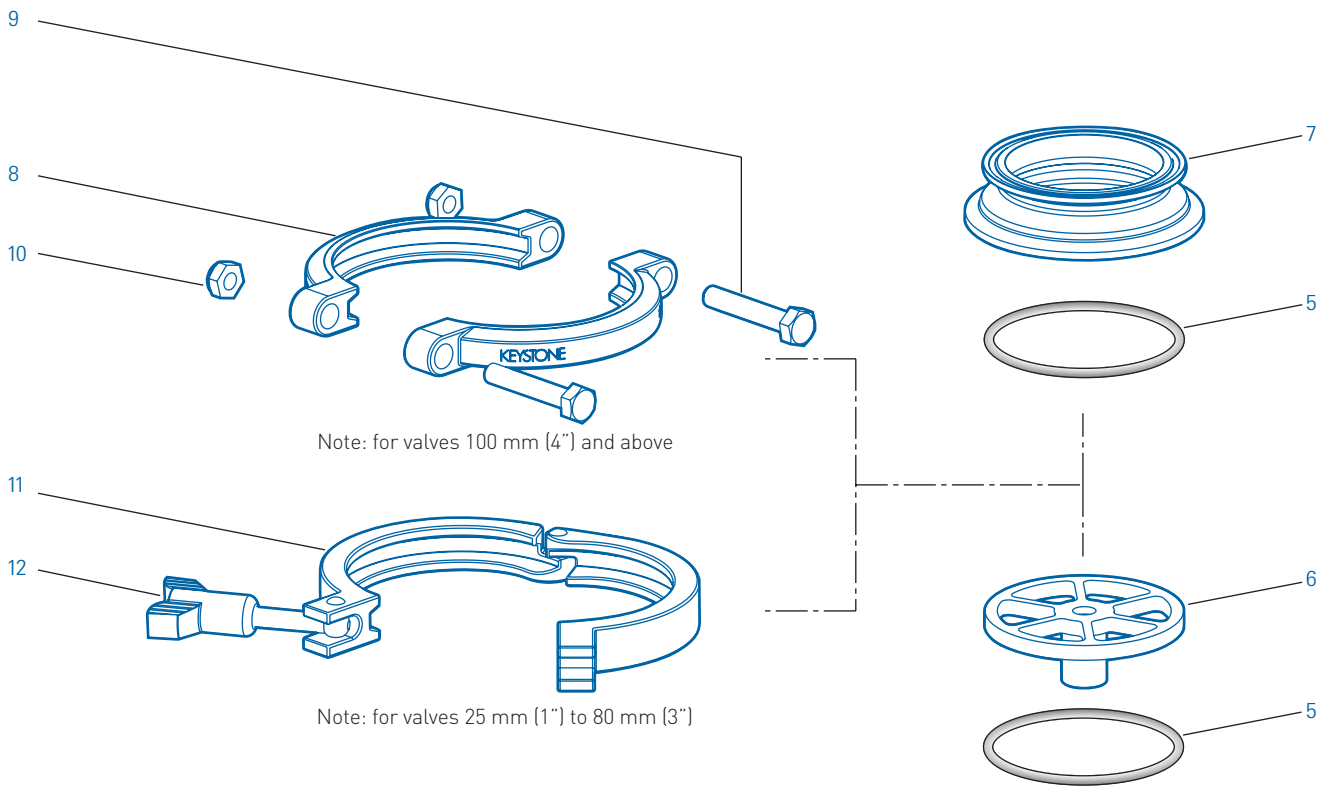
TECHNICAL DATA

Max. pressure at 20°C (68°F):	10 bar (145 psi)
Min. pressure at 20°C (68°F):	Full vacuum
Sizes:	25 mm to 150 mm (1" to 6")
Temperature range:	-10°C to 95°C (14°F to 230°F)



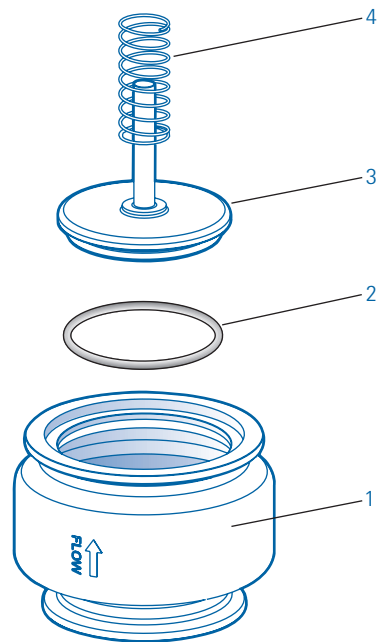
KEYSTONE HYGIENIC PRODUCTS - CHECK VALVE

FIGURE 264J



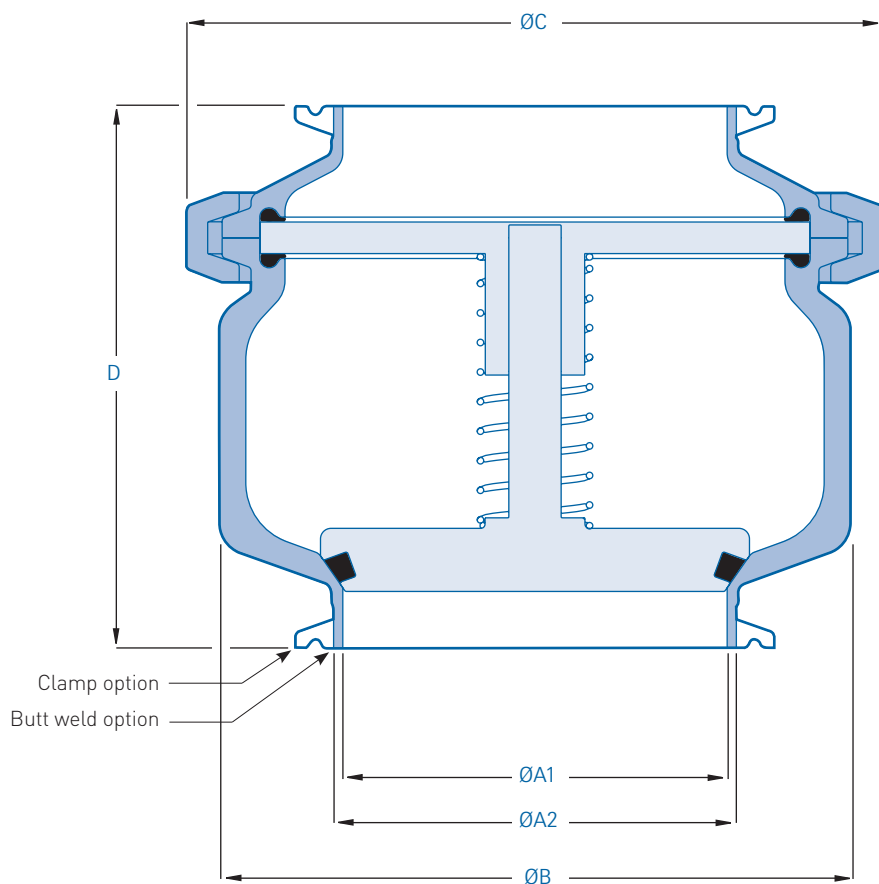
PARTS LIST

No.	Description	Material	Standard
1	Body	316 SS	ASTM A276
2	Plug seal	NBR, EPDM (FPM)	FDA (Commercial)
3	Plug	316 SS	ASTM A276
4	Spring	302 SS	ASTM A313
5	Guide plate seal	NBR, EPDM (FPM)	FDA (Commercial)
6	Guide plate	316 SS	ASTM A276
7	Cover	316 SS	ASTM A276
8	Heavy duty clamp	304 CF8 SS	ASTM A743 CF8
9	Bolt	304 SS	ASTM A276
10	Nut	304 SS	ASTM A276
11	Swing clamp	304 CF8 SS	ASTM A743 CF8
12	Swing clamp nut	304 CF8 SS	ASTM A743 CF8



KEYSTONE HYGIENIC PRODUCTS - CHECK VALVE

FIGURE 264J



DIMENSIONS (DN)

Valve size	ØA1	ØA2	ØB	ØC	D
25	22.3	25.4	64	78.3	71.0
40	35.0	38.1	64	78.3	71.0
50	47.7	50.8	90	108.0	86.0
65	60.4	63.5	99	108.0	93.0
80	73.1	76.2	120	132.5	103.0
100	98.5	101.6	152	146.0	113.0
150	148.5	152.4	233	216.8	154.8

DIMENSIONS (NPS)

Valve size	ØA1	ØA2	ØB	ØC	D
1	0.88	1.0	2.5	3.00	2.8
1½	1.38	1.5	2.5	3.00	2.8
2	1.88	2.0	3.5	4.25	3.4
2½	2.38	2.5	3.9	4.25	3.7
3	2.88	3.0	4.7	5.20	4.0
4	3.88	4.0	6.0	5.75	4.4
6	5.84	6.0	9.2	8.50	6.1

NOTE

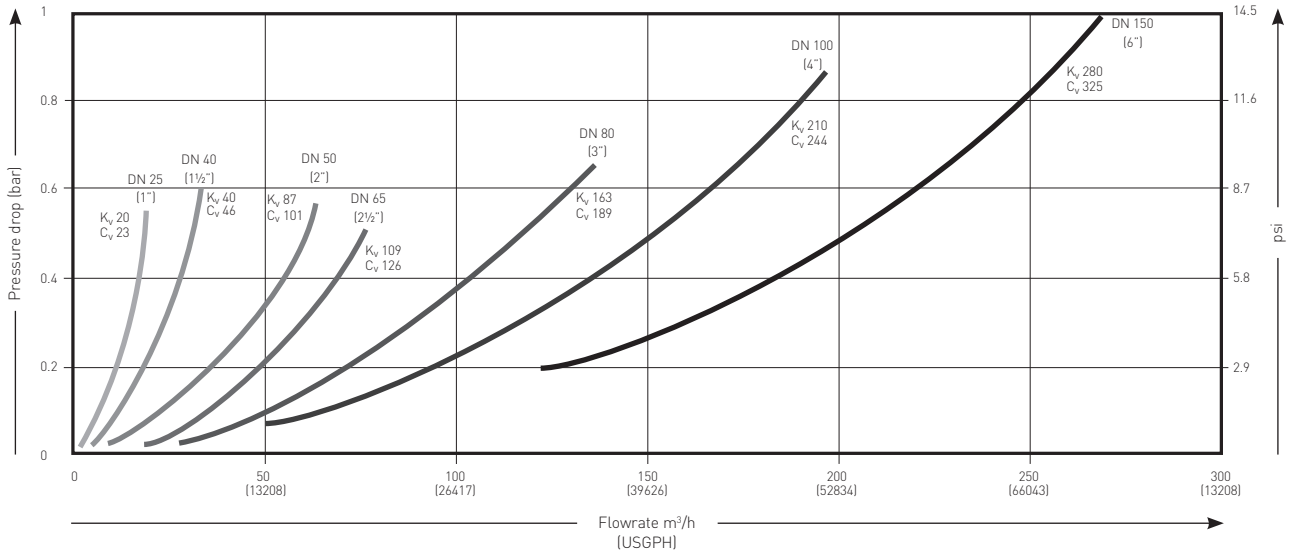
Metric (mm) conforms to DIN 11850 and DIN 32676

Imperial (inch) conforms to ISO 2037, BS 4825-1 and ISO 2852

KEYSTONE HYGIENIC PRODUCTS - CHECK VALVE

FIGURE 264J

PRESSURE DROP GRAPH



SELECTION GUIDE

Example	050	F264J	277	BW/BW	-
Valve size	DN	NPS			
025	25	1"			
040	40	1½"			
050	50	2"			
065	65	2½"			
080	80	3"			
100	100	4"			
125	125	5"			
150	150	6"			

Figure

F264J Standard non return valve

Trim	O-ring	Body
275	Nitrile	316L
276	FPM	316L
277 (Std.)	EPDM	316L
278	FEP	316L

End connections (shown both ends i.e. BW/BW, BW/CLP etc. inlet side defined first)

Weld ends		Thread ends	
BW	Butt weld (Std.)	RJF	RJT male part (fabricated)
BWD	Butt weld DIN tube	RMF	RJT male part modified spigot (fabricated)
B25	Butt weld 25 mm end 1		

Clamp ends

CLP	Clamp (machined)
C50	Clamp machined 50 mm fitting
DCL	DIN clamp end, DIN sizing

Extended definer

-	- (Std.)
DRN	Body drain