



WHESSOE

The Whessoe Vapour Control range of Pressure relief valves cover a wide range of settings and materials to satisfy all the requirements of the liquid storage industry.

Features

- Pressure settings 2.5 mbar to 3.5 bar
- Weight or spring loaded
- Sizes 2" (50mm) to 12" (300mm)
- Body materials aluminium, SG Iron, carbon steel, stainless steel
- Stainless steel removable seats
- Low ambient temperature version
- Full flange
- ANSI and DIN flanges
- Self draining body



Whessoe - Varec Vapour Control are constantly developing their range of products, therefore additional sizes and additional materials outside the normal range can be offered. Please contact the sales office with your requirements.

General application

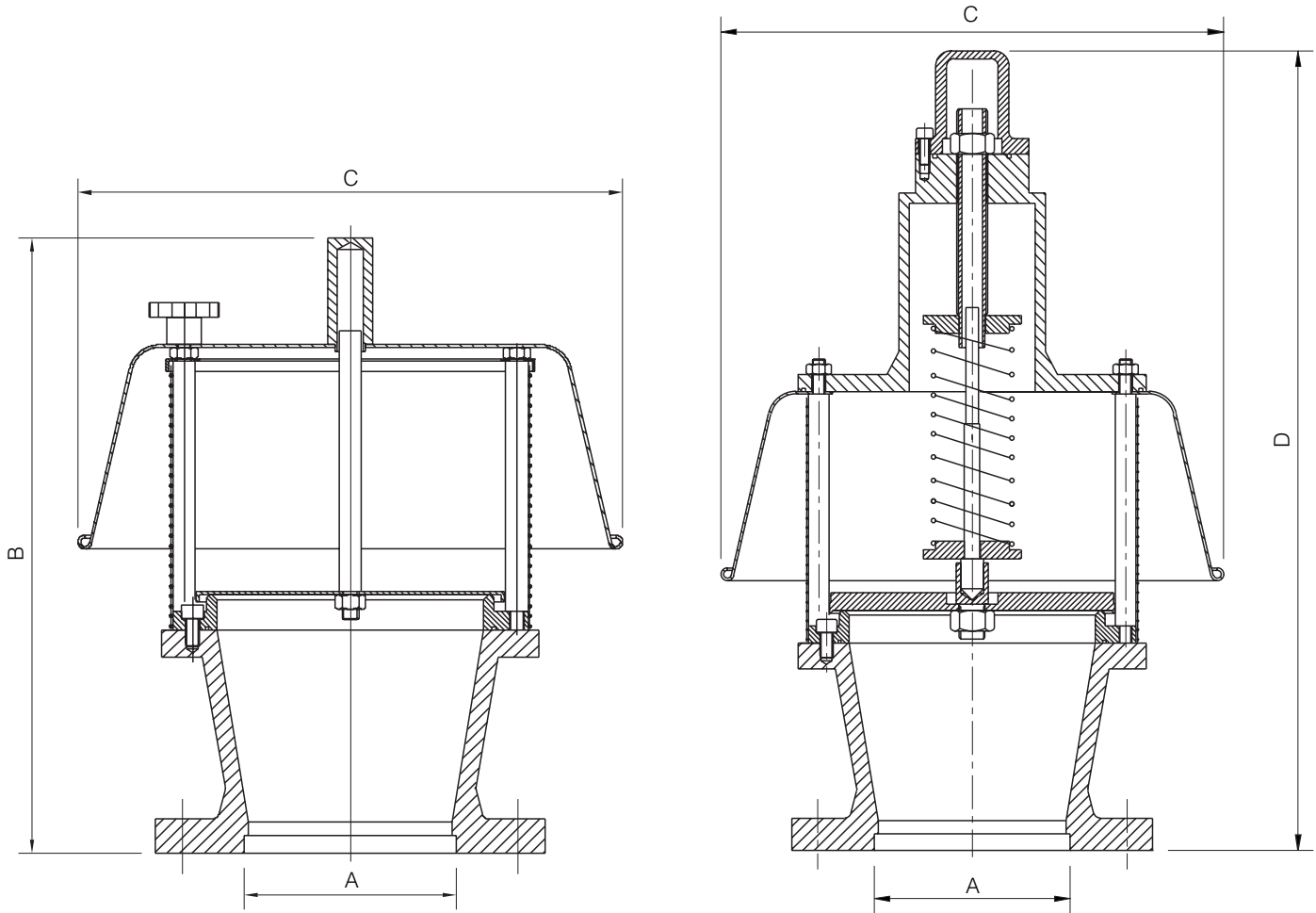
Storage tank farms
Petroleum & chemical
Refineries and terminals

Technical data

Min pressure set	: 2.5 mbar
Max pressure set	: 3.5 bar
Sizes inch	: 2 - 12
Sizes mm	: 50 - 300

4130A Pressure Relief Valves

dimensions and weight



Dimensions							
Nominal size mm	50	75	100	150	200	250	300
Nominal size inch	2	3	4	6	8	10	12
A	50	76	101	152	203	254	305
B	307	339	372	443	552	627	650
C	202	253	303	392	555	620	682
D	478	510	542	620	675	797	832

4130A Weight loaded vent to atmosphere - Kg							
	2"	3"	4"	6"	8"	10"	12"
Aluminium	3	5	7	12	18	27	36
SG iron	6	10	16	26	40	61	81
Steel/St.St.	6	11	17	29	43	67	88

4130A Spring loaded vent to atmosphere - Kg							
	2"	3"	4"	6"	8"	10"	12"
Aluminium	5	7	11	16	24	tba	tba
SG iron	12	17	26	38	45	-	-
Steel/St.St.	13	19	29	42	188	-	-

4130A Weight loaded vent to atmosphere flow figures

Set Pressure mbar	2"			3"			4"			6"			8"			10"			12"		
	Over Pressure			Over Pressure			Over Pressure			Over Pressure			Over Pressure			Over Pressure			Over Pressure		
	20%	35%	50%	20%	35%	50%	20%	35%	50%	20%	35%	50%	20%	35%	50%	20%	35%	50%	20%	35%	50%
2,5	88	112	133	197	252	299	351	448	532	789	1009	1198	1403	1793	2129	2192	2802	3327	3157	4035	4791
10	175	224	266	395	504	599	702	897	1065	1579	2018	2395	2806	3587	4258	4385	5605	6654	6314	8071	9581
25	277	354	421	624	798	947	1109	1418	1683	2496	3190	3787	4437	5671	6733	6933	8862	10520	9983	12761	15149
50	392	501	595	882	1128	1339	1569	2005	2380	3530	4512	5356	6275	8021	9522	9805	12532	14878	14119	18046	21424
60	430	549	652	967	1236	1467	1718	2197	2608	3867	4942	5867	6874	8786	10431	10741	13728	16298	15466	19769	23469

Flow in m³/hr

4130A Spring loaded vent to atmosphere pressure flow figures

Set Pressure mbar	2"			3"			4"			6"			8"			10"			12"		
	Over Pressure			Over Pressure			Over Pressure			Over Pressure			Over Pressure			Over Pressure			Over Pressure		
	20%	35%	50%	20%	35%	50%	20%	35%	50%	20%	35%	50%	20%	35%	50%	20%	35%	50%	20%	35%	50%
150	275	376	443	619	847	996	1100	1505	1771	2475	3386	3985	4399	6020	7084	6874	9407	11069	9899	13546	15940
250	355	486	572	800	1094	1288	1422	1946	2290	3199	4378	5151	5687	7783	9158	8886	12161	14310	12796	17511	20606
500	503	688	809	1131	1548	1821	2011	2752	3238	4524	6191	7285	8043	11007	12952	12567	17198	20237	18097	24765	29141
750	615	842	991	1384	1894	2229	2461	3368	3963	5537	7578	8917	9844	13471	15852	15381	21049	24768	22149	30310	35666

Flow in m³/hr



Contact your local representative

WHESSOE

Tel +44 (0) 161 703 1990
 Fax +44 (0) 161 703 1847
 E-mail: sps@Pentair-valves.com