



WHESSOE

The Whessoe - Varec Vapour Control 5031 & 5032 dip hatch are specifically designed for the French market where a SIM approval is mandatory for manual gauging, temperature measurement or sampling.

Features

- Screw down and free lift designs
- SIM Approval
- Corrosion resistant Aluminium
- O Ring seal
- ANSI and DIN flanges
- Sizes 4" to 8"



General applications

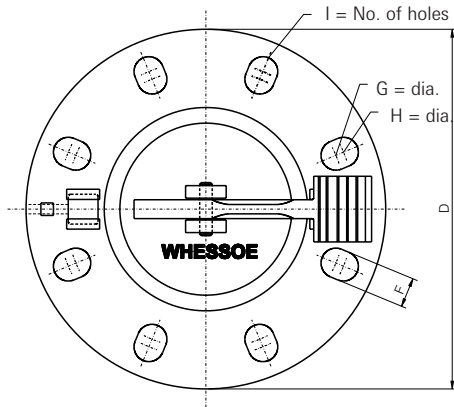
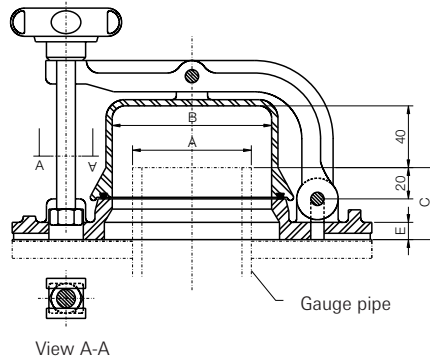
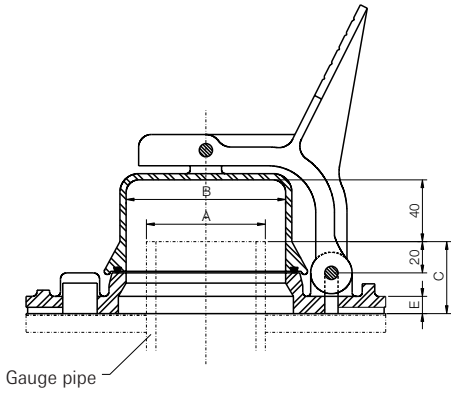
Storage tanks farms
Petroleum & Chemical
Refineries and terminals

Technical data

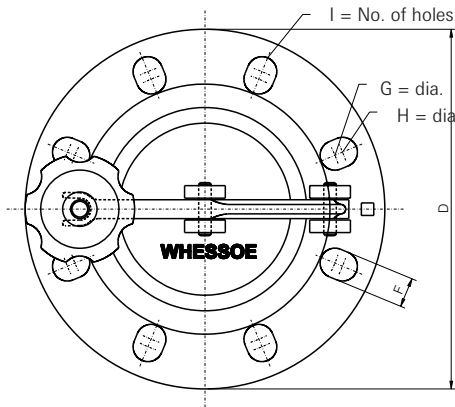
Certification	: SIM No 3376
Flange	: ANSI & DIN
Sizes inch	: 4 - 8
Sizes mm	: 100 - 200

Whessoe - Varec Vapour Control are constantly developing their range of products, therefore additional sizes and additional materials outside the normal range can be offered. Please contact the sales office with your requirements.

Gauge/Dip Hatches Series 5031-5032 SIM Approved dimensions and weight



Model 5031



Model 5032

Dimensions in mm

Nominal size	A		B		C		D		E		F		G		H		I	
	mm	inch	mm	mm	mm	mm	mm	mm	mm	mm	mm	mm	mm	mm	mm	mm	no	
100	4	*	102	46	230	11	19	190	180	8								
150	6		114	53	280	16	23	241	241	8								
200	8		168	65	343	20	22	301	295	8								

Note

* The SIM approval allows either a 76 or 89 dia gauge pipe for a 4" hatch

Weight in kg

Nominal size		Weight
mm	inch	Kg
100	4	1,5
150	6	4
200	8	6