



WHESSOE

A Flame Arrester is a passive explosion protection device designed to prevent the propagation of a flame.

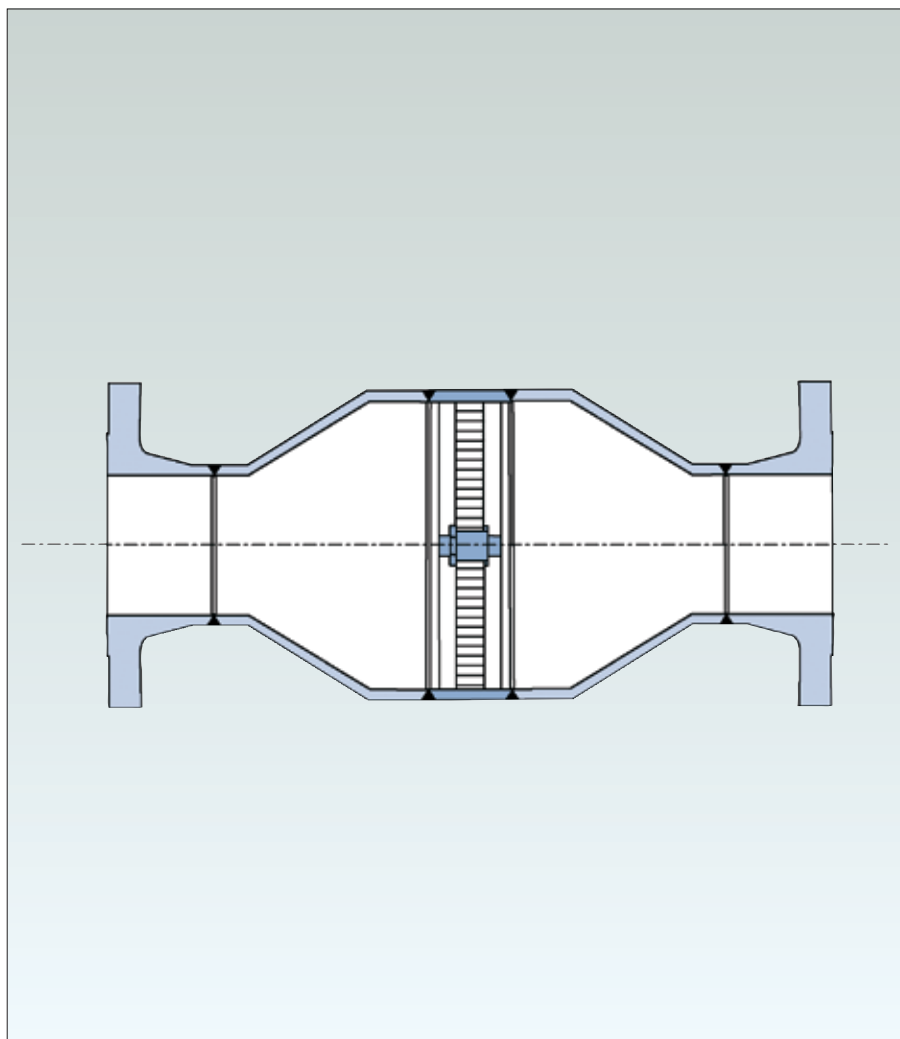
General

Developed in our in-house Research and Development laboratory, the 400A is an In-Line Deflagration Flame Arrester used in gases with subsonic flames and mounted in process or vent lines.

Deflagration units can be located in the pipeline or at the end of the pipe vent.

Features & Benefits

- Lightweight fabrication
- Advanced crimped metal construction
- Mounted vertically or horizontally
- Can be used in combination with a Whessoe Pressure/Vacuum Valve
- In-house research and development
- Excellent technical support
- Independently tested and certified
- Uni-directional



Approvals

The 400A is fully approved and certified to the following internationally recognised standards:

- ISO 9001:2008
- Pressure Equipment Directive (PED) 97/23/EC
- ATEX Directive 94/9/EC

In-Line Deflagration Flame Arrester

Model 400A

Materials and flange options

Materials

Carbon St. and Stainless St.

Flange drilling

ANSI 150# RF, PN10 RF, PN16 RF

Note: Special material and flanges are available on request.

Connection pipe size

- 2"
- 3"
- 4"
- 6"
- 8"
- 10"
- 12"

Gas groups

- IIA
 - IIB1
 - IIB2
 - IIB3
 - IIB
 - IIC
- Only available up to and including 6"

Figure numbering system

400A — [] — [] — [] — [] — [] — []

Connection pipe size

02 = 2" (50mm)
 03 = 3" (80mm)
 04 = 4" (100mm)
 06 = 6" (150mm)
 08 = 8" (200mm)
 10 = 10" (250mm)
 12 = 12" (300mm)

Standard element size

04 = 4" (100 mm)
 06 = 6" (150 mm)
 08 = 8" (200 mm)
 12 = 12" (300 mm)
 16 = 16" (400 mm)
 20 = 20" (500 mm)
 24 = 24" (600 mm)
 00 = other (on request)

Gas group

1 = IIA
 2 = IIB1
 3 = IIB2 & IIB3
 4 = IIB
 5 = IIC

Configuration

A = Under Atmos P/V
 P = Inline or under a piped away P/V

Body material

5 = Carbon St.
 6 = Stainless St.

Flange drilling

0 = ANSI 150# RF
 1 = PN10 RF
 2 = PN16 RF

Notes

All sizing and selection must be conducted by the factory.
 Standard elements are double the pipe size.

Flame arrester inquiry form

Please complete this form with as much detail as possible and contact your local Pentair Sales Office with your requirements. Please visit our website for contact details.

Contact details

Name :	Tel. :
Company :	Fax :
Position :	Email :

Specifications

Size (please circle)	: 2"	3"	4"	6"	8"	10"	12"
Type of flame arrester	: In-line						
Materials* (please circle)	: Carbon steel		Stainless steel				
Flange* (please circle)	: ANSI 150 RF	PN10 RF	PN16 RF				
Gas group (please circle)	: IIA	IIB1	IIB2	IIB3	IIB	IIC	
Flow rates	:						
Maximum allowable pressure drop	:						
Distance to source of ignition	:						

*Specials available on request
 Accessories also available on request