

HS 2.2 UNIVERSAL CONTROLLER

HS 2.2 is a universal controller made for HVAC applications. It may be used for controlling e.g. pressure, differential pressure, temperature or illumination level. The input signal of 0-10V is responding the range of 0-100% in the controller. Depending on the unit of the input signal it can be scaled by commissioning for different units and scales by setting for the range the upper and lower limits. Possible units are: Pa, kPa, bar, °C, m/s, lux, CO₂ or CO.

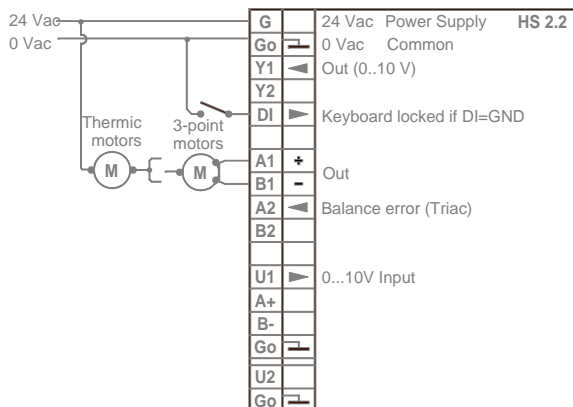
Set point and controller parameters can be set by using the display and buttons. For daily using only "+" and "-" buttons are needed. Additional buttons needed for commissioning are hidden under the cover.

One 0-10V input and one digital input are available. By switching the digital input to the 0V level (= G0) the buttons can be locked.

Outputs are for 0...10V controlled actuators and also for 3-point controlled or thermal (PWM) controlled actuators. There is also an output indicating failure function in cases when the controller does not reach the balance during the set time.

HS 2.2 controllers can be used in dry surroundings mounted on the wall surface or on the standard flush mounting boxes with a 60 mm fixing screw hole distance.

Wiring:



Technical data:

supply	24Vac/dc (20...26V) < 1 VA Note! Only the 0-10V output is working by the 24Vdc supply
inputs	1 x 0-10V, 10kohm 1 x DI, pot. free contact
output Y1	0...10V, 2mA
output A1, B1	24Vac 1A, (Note wiring!) for thermal - / 3 point actuators
output A2	failure signal 0V = OK, 10V = failure
set point	- 9999 ... +9999
resolution	1/1000 of the range
proportional band Xp	1 ... 1000
integration time Tn	10...5000 s
3-p. act. driving time Mt	30...300 s
allowed amb. humidity	0...95 % RH (non-condensing)
terminals	1,5 mm ²
housing	ABS-plastics, IP20
dimensions w x h x d	87 x 86 x 32 mm

Ordering guide:

Model	Product number	Description
HS 2.2	1150240	universal controller

Products fulfil the requirements of directive 2004/108/EY and are in accordance with the standards EN61000-6-3: 2001 (Emission) and EN61000-6-2: 2001 (Immunity).

Produal Oy

Keltakalliontie 18
48770 Kotka
FINLAND
www.produal.com

Tel: +358-5-230 9200
Fax: +358-5-230 9210
info@produal.fi