

# Right Angle Seat Motor Valve compact 7250

## DN 15 up to DN 50

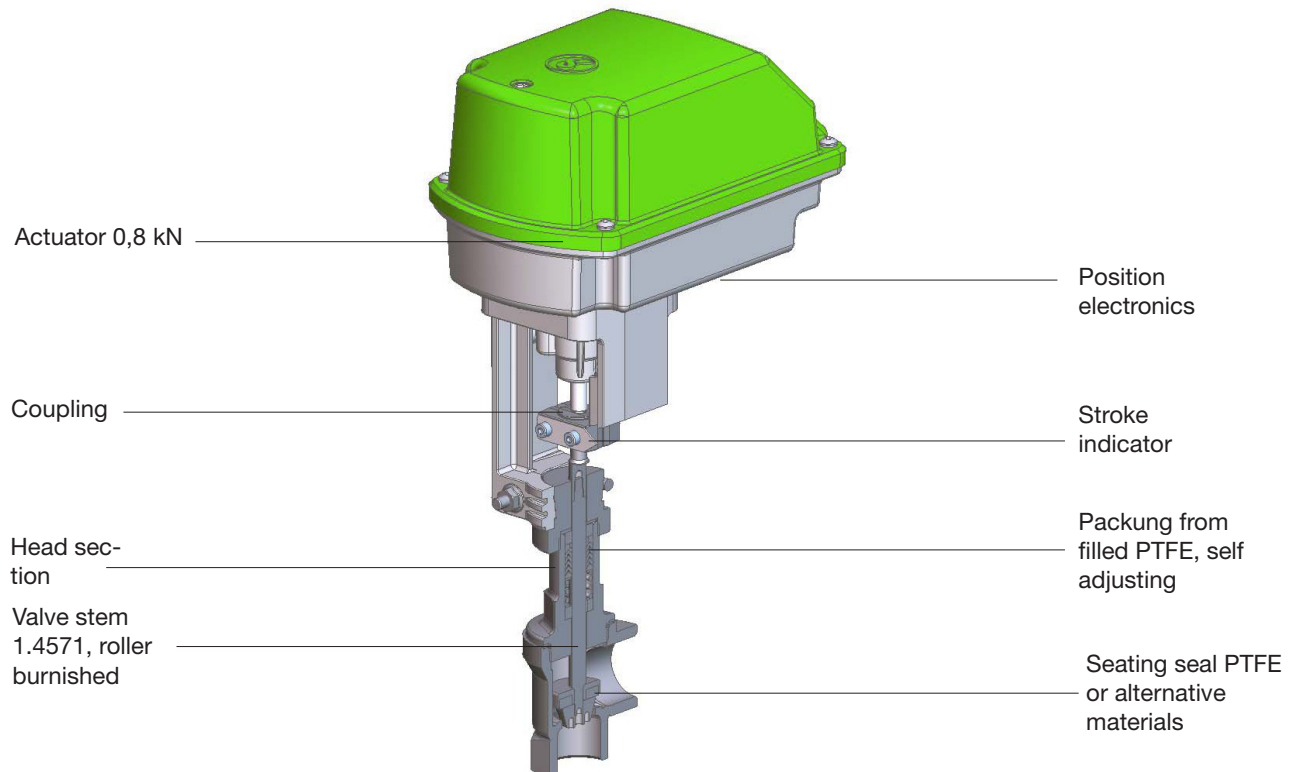
**Motor valve for on/off- and modulating operation for neutral and aggressive media.**

- Compact design
- Self adaption
- Unaffected by lightly contaminated media
- For temperatures from -100°C up to +220°C
- Working pressure up to 40 bar
- Versatile actuator options
- Actuators with control function also available with safety position



### Technical Information Valve

Body materials	Stainless steel 1.4408
Nominal sizes	DN 15 up to DN 50
Connection	Flanges acc. DIN 2635
Dimension	acc. DIN EN558-1 Row 1
Nominal pressure	PN 40
Media temperature	-30°C up to +200°C, opt. -100°C up to +200°C
Viscosity	max. 600 mm <sup>2</sup> /s (600 cSt)
Vacuum	max. 0,001 bar, abs.
Operating pressure packing underneath	max. 12 bar
Packing leakage	tested according to TA-Luft as defined in DIN EN ISO 15848-1 and VDI 2440



# Right Angle Seat Motor Valve compact 7250



## Technical Information CA-Actuator

Function	Control				On/Off	
	CA24C	CA260C	CA24C-R	CA260C-R	CA24	CA260
Mains connection	24V AC/DC	90-260V AC	24V AC/DC	90-260V AC	24V AC/DC	90-260V AC
Set point range	(0)2-10V / (0)4-20mA				3-term**	
Feedback	(0)2-10V / (0)4-20mA				optional	
Limit switch	2				optional	
Potentiometer feedback	-				optional	
Max. switching capacity	24V AC/DC 200 mA				250V AC/DC 1A	
Actuating speed	1.5 / 2 / 3 s/mm (Standard: 2 s/mm)				2 or 3 s/mm (Standard: 3 s/mm)	
Safety functions	Monitoring of tensile force, set point, temperature of the electronics, etc.				Tensile force monitoring	
Diagnostic functions	Storage of motor and total operating time, temperature and directional classes, etc.				-	
Fail Safe position	-	-	freely adjustable		-	
Load	500 Ω for current set point / 95 kΩ for voltage set point				-	
Max. input	13 W	12 W	13 W	12 W	13 W	12 W
Input heating resistor	10 W					
Starting current heating resistor	6 A	2,5 A	6 A	2,5 A	6 A	2,5 A
Actuating power	800 N					
Protection class (EN 60529)	IP 65					
Adm. Ambient temperature	-10°C to +60°C					
Duty cycle	100%					

\*: for control with volt-signal split range adjustments are possible

\*\*: minimum switch on time 200ms

Wiring diagrams of the actuators can be found in the manual.

## Admissible Differential Pressures

Nominal size	p max (bar)											
	DN15		DN20		DN25		DN32		DN40		DN50	
	On/off	Control	On/off	Control	On/off	Control	On/off	Control	On/off	Control	On/off	Control
Stainless steel body	40	16	20	16	12	12	7	7	4,8	4,8	2,8	2,8

## Kvs-Values

Characteristic	linear						equal percentage					
	15	20	25	32	40	50	15	20	25	32	40	50
100 %	5,2	10,5	16,5	25	33	40	4,1	9,3	12	16	22	-
40 %	2,1	4,2	6,6	10	16	-	1,7	3,7	4,8	6,4	12,8	-
25 %	1,3	2,6	4,1	-	-	-	1	2,3	2,6	-	-	-
On-Off	5,5	9	17	25	35	45						

# Right Angle Seat Motor Valve compact 7250



## Ordering Number System

		Article number									
		7250/			K						S
Nominal size:											
DN 15		015									
DN 20		020									
DN 25		025									
DN 32		032									
DN 40		040									
DN 50		050									
Item:											
Valve		V									
Upper part		U									
Actuator		A									
Body design:											
Right angled body valve					7						
Connection:											
Whitworth-thread						0					
NPT thread						5					
without thread						6					
Body material:											
Stainless steel							2				
Seating seal:											
PTFE								0			
FKM (Viton)								1			
EPDM								2			
NBR								3			
Actuator:											
Control actuator CA24C, 24V AC/DC, with position electronic, stanard adjustment: control signal 4-20mA, feedback 4-20mA, 2 limit switch										C	
Control Actuator CA260C, 90-260V 50/60Hz, with position electronic, Standard adjustment 4-20mA, feedback 4-20mA, 2 limit switch										D	
On-Of (3-point) actuator CA24, 24V AC/DC										E	
On-Off (3-point) actuator CA260, 90-260V, 50/60Hz										F	
Control plug:											
none											-
linear 100%											1
equal percentage 100%											2
linear 40%											3
equal percentage 40%											4
linear 25%											5
equal percentage 25%											6
Safety position:											
without safety position											-
spring to close											0
spring to open											1
Stroking times											
Standard (2 s/mm for control actuators - 3 s/mm for on-off-actuators)										-	
3 s/mm										4	
1,5 s/mm										5	

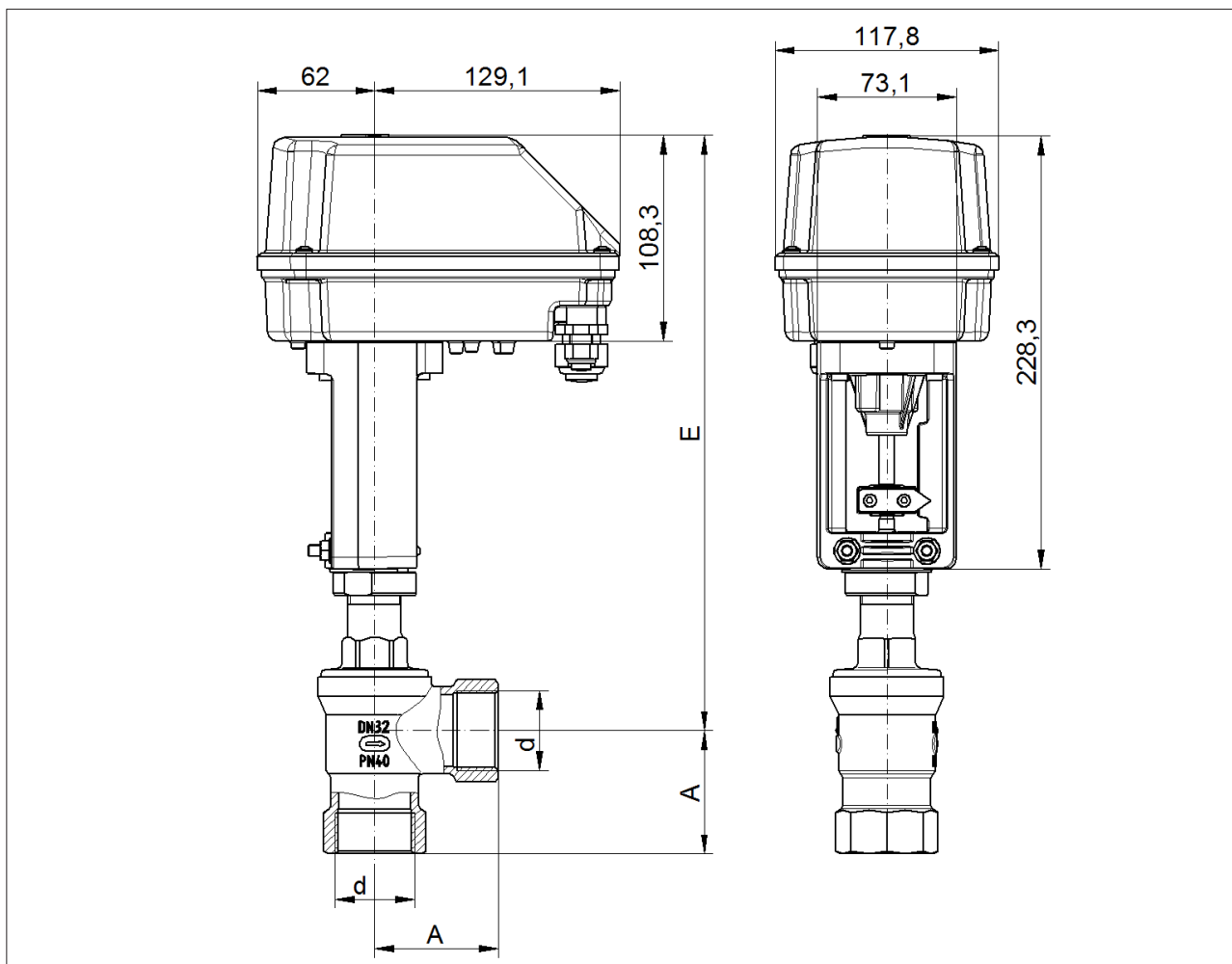
Ordering example:

7250/025VK702021

Right Angled seat compact motor valve type 7250, DN 25, pipe thread acc. ISO 228-1 stainless steel body, seating seal PTFE, control actuator BM24C/I, 24V AC/DC, 0,8 kN, control electronics 4-20 mA, position feedback 2-10V, linear characteristic, Kvs-value 14 (100 %).

# Right Angle Seat Motor Valve compact 7250

## Dimensions and Weights for CA-actuators



DN	d	A	E	Stroke	Weight kg
15	1/2"	41	284	9	2,4
20	3/4"	41	285	14	2,7
25	1"	41	298	18	2,8
32	1 1/4"	65	299	21	3,4
40	1 1/2"	65	302	22	3,6
50	2"	65	319	22	4,2

Dimensions in mm